

Saturn®

ST-CM7094

COFFEE MAKER

КОФЕВАРКА

КАВОВАРКА

КОФЕ ҚАЙНАТҚЫШ



COFFEE MAKER**Dear Buyer!**

We congratulate you on having bought the device under trade name "Saturn". We are sure that our devices will become essential and reliable assistance in your housekeeping.

Avoid extreme temperature changes. Rapid temperature change (e.g. when the unit is moved from freezing temperature to a warm room) may cause condensation inside the unit and a malfunction when it is switched on. In this case leave the unit at room temperature for at least 1.5 hours before switching it on.

If the unit has been in transit, leave it indoors for at least 1.5 hours before starting operation.

IMPORTANT SAFEGUARDS

1. Read these instructions carefully before using appliance.
2. Before using check that the voltage of wall outlet corresponds with coffeemaker rating plate.
3. Close supervision is necessary when your appliance is being used near children or disabled persons.
4. Do not use the appliance on or near hot surface or on a heated oven.
5. Remove plug from wall outlet before cleaning or when not in use and allow appliance cool down completely before taking off or attaching components, or before cleaning.
6. Do not operate any appliance with a damaged cord or plug or after the appliance malfunctions, or is dropped or damaged in any manner. Return appliance to the nearest authorized service facility for examination, repair or electrical or mechanical adjustment.
7. The accessories that are not recommended by manufacturer may cause injury to persons or damage to appliance.
8. Do not pull power cord or wrap it around appliance, or flex power cord.
9. Place appliance on flat surface or table, do not hang appliance over the edge of table or counter.
10. Ensure power cord does not touch hot surface.
11. Do not touch the hot surface of appliance (such as stainless steel, tray and the cover, steam pipe and the sleeve, inner cover of tank, filter holder and the metal filter just boiling).
12. Do not remove the filter holder when appliance is brewing coffee or

when steam and hot water escape from filter holder and ensure to release the pressure in water tank before removing filter holder.

13. Do not operate appliance without any water in water tank.
14. Connect plug to wall outlet before using and turn any switch off before plug is removed from wall outlet.
15. As the brewing coffee is hot, handle carefully and avoid being burn.
16. Be careful of steam and avoid being burn when making cappuccino.
17. Do not immerse appliance or power cord into water or any other liquid.
18. Save these instructions for future.

HOUSEHOLD USE ONLY

Service life - 4 years. Before putting into operation shelf life is unlimited.

BEFORE THE FIRST USE

To ensure the first cup of coffee tastes excellent, you should rinse the coffee maker with warm water as follows:

1. Pour water into water tank, the water level should not exceed the "MAX" mark in the tank. Then replace the water tank cover.

Note: *The appliance is supplied with a detachable tank for easy cleaning, you can fill the tank with water firstly, and then put the tank into the appliance.*

2. Set steel mesh into metal funnel (no coffee powder in steel mesh).
3. Place a jug on removable shelf. Make sure the steam control knob is on the "OFF" position.

Note: *The appliance is not equipped with jug, please use yourself jug or coffee cup.*

4. Connect to power source, press the "Coffee +ON/OFF" switch, the indication lamp flashing. Then wait until the indicator light keeps on.

5. Press coffee/hot water selector, the pump will pump water, when there is water flowing out, press again the coffee/hot water selector, the pump stop pumping water. And waiting for a moment, the appliance begins to be pre-heated. It shows the pre-heating is finish until the "Coffee +ON/OFF" switch indication light change from flashing to keeps on. Pressing coffee/hot water selector again and water will flow out.

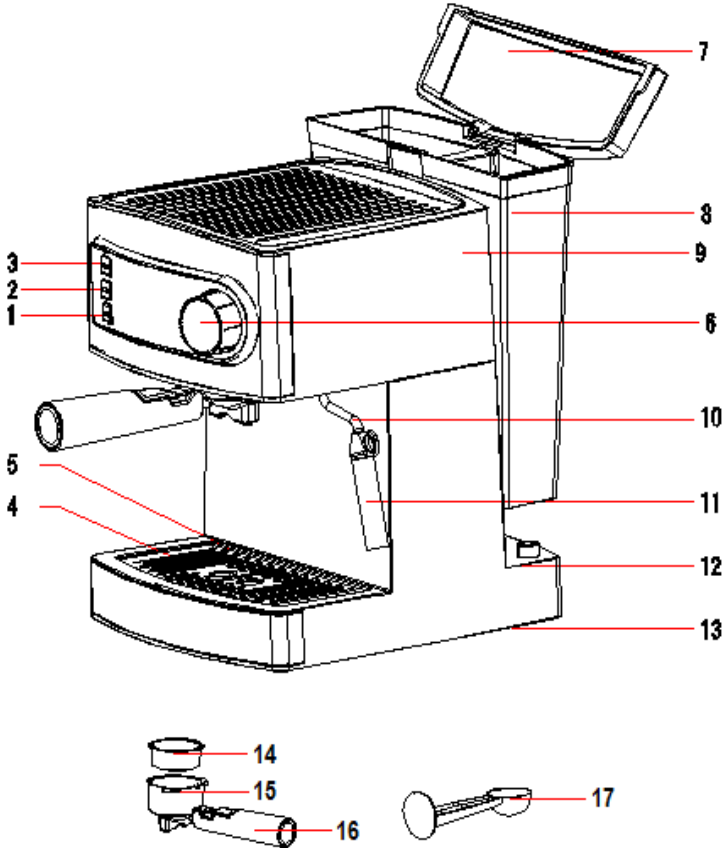
6. After water not dropping out any more, you can pour the water in each container out then clean them thoroughly, now you can start brewing.

Note: *There may be noise when pump the water on the first time, it is normal, the appliance is releasing the air in the appliance. After about 20s, the noise will disappear.*

DESCRIPTION

1. Coffee +ON/OFF
2. Coffee/hot water selector
3. Steam +switch
4. Drip tray
5. Removable shelf
6. Steam control knob
7. Water tank cover
8. Water tank

9. Top cover
10. Steam wand
11. Froth device
12. Main body
13. Bottom cover
14. Stainless steel mesh
15. Metal funnel
16. Funnel handle
17. Measuring spoon and tamper



PRE-HEATING

To make a cup of good hot Espresso coffee, we recommend you preheating the appliance before making coffee, including the funnel, filter and cup, so that the coffee flavour cannot be influenced by the cold parts.

1. Remove the detachable tank and open the tank cover to fill it with

desired water, the water level should not exceed the "MAX" mark in the tank. Then place the tank into the appliance properly.

2. Select the one-cup or two-cup mesh, set stainless steel mesh into metal funnel, pull the press bar backward, make sure the tube on the funnel aligns with groove in the

appliance, then insert the funnel into the appliance from the "Insert" position and release the press bar, and you can fix them into coffee maker firmly through turn it anticlockwise until it is at the "lock" position. (See fig. 1).

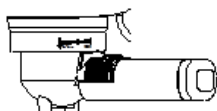


Fig.1

3. Place an espresso cup (your cup) on the removable shelf.

4. Then connect the appliance to a power supply source. Make sure the steam control knob is on the "OFF" or "0" position.

5. Press the "Coffee +ON/OFF" switch, the "Coffee +ON/OFF" indication lamp flashing. Then wait until the indicator light keeps on. Then press the "Coffee/hot water selector", there is water flowing out, close the pump (pressing coffee/hot water selector button) immediately. The purpose of the step is that pump the water of the tank into the housing.

6. When the "Coffee +ON/OFF" indicator light keeps on, you should press the "Coffee/hot water selector" button, there will be hot water flowing out. When the "Coffee +ON/OFF" indicator light flashing, close the pump. The pre-heating is finished.

MAKE ESPRESSO COFFEE

1. Remove the funnel by turning it in clockwise. Add ground coffee to the steel mesh with a measuring spoon. A spoon ground coffee powder can make about a cup of top-grade coffee. Then press the ground coffee powder tightly with the tamper.

2. Set steel mesh into metal funnel, pull the press bar backward, make sure the tube on the funnel aligns with groove in the appliance, then insert the funnel into the appliance from the "Insert" position and release the press bar, and you can fix them into coffee maker firmly through turn it anticlockwise until it is at the "lock" position. (See fig. 1).

3. Pour out the hot water in the cup. Then place the hot cup (yourself cup) on removable shelf.

4. At the time, the green lamp is illuminated, if the green lamp is extinguished, wait for a moment, once the green lamp is illuminated, and you should press the coffee/hot water

selector on the "1" position, waiting for a moment, there will be coffee flowing out.

Note: During operation, if the green indicator is extinguished, you must close the pump and stop making espresso coffee. After a few seconds, if the green lamp is illuminated again, you can make espresso coffee continued by pressing coffee/hot water selector to "1" position, the green lamp is cycle ON and OFF to maintain the water temperature hot enough.

5. You should press coffee/hot water selector to "0" position manually when desired coffee is obtained or the colour of coffee changes obviously, the red and green indicator go out and the coffee maker stops working, your coffee is ready now.

WARNING: Do not leave the coffee maker unattended during making the coffee, as you need to operate manually sometimes!

6. After finishing making the coffee, you can take the metal funnel out through turn anticlockwise, and then pour the coffee residue out with the steel mesh pressed by press bar.

7. Let them cool down completely, then rinse under running water.

FROTH MILK/ MAKE CAPPUCCINO

You get a cup of cappuccino when you top up a cup of espresso with frothing milk.

Method:

1. Prepare espresso first with container big enough according to the part "MAKE ESPRESSO COFFEE", make sure that the steam control knob is at the "OFF" or "0" position.

2. Press steam+switch button, wait for a moment, until the steam+switch indication light change from flashing from to keeps on.

Note: During operation, if the green indicator is extinguished, you should turn the steam control knob to "OFF" or "0" position. Press coffee/hot water selector to the "1" position and pump water, after about 30s, close the pump (coffee/hot water selector to the "0" position), then wait for until the green indicator is illuminated and turn the steam control knob in anticlockwise, the steam will come out again.

3. Fill a jug with about 100 grams of milk for each cappuccino to be prepared, you are recommended to use whole milk at refrigerator temperature (not hot!).

Note: In choosing the size of jug, it is recommend the diameter is not less than 70±5mm, and bear in mind that

the milk increases in volume by 2 times, make sure the height of jug is enough.

4. Turn the steam control knob slowly in anti-clockwise, steam will come out from the frothing device.

Note: Never turn the steam control button rapidly, as the steam will accumulate rapidly in short time which may increase the potential of the risk of explosion.

5. Insert the frothing device into the milk about two centimeters, froth milk in the way moving vessel round from up to down.

6. When the required purpose is reached, you can turn the steam control knob to "OFF" or "0" position.

Note: Clean steam outlet with wet sponge immediately after steam stops generating, but care not to hurt!

7. Pour the frothed milk into the espresso prepared; now the cappuccino is ready. Sweeten to taste and if desired, sprinkle the froth with a little cocoa powder.

8. Press the ON/OFF switch to the "0" position to cut the power source off.

Note: we recommend you allow the maker to cool down at least for 5 min before making coffee again. Otherwise burnt odor may occur in your Espresso coffee.

MAKING HOT WATER:

1. With this function, you can pre-heat your coffee cup to ensure that the temperature of the coffee will not decrease. So as to improve the coffee flavor.

2. Clean your coffee cup. After drinking coffee, you can directly make hot water with this coffee maker to clean the cups. This makes it more simple and convenient to clean the cups.

Methods:

1. Press the On/Off switch to the "1" position; the Steam switch to "0" position, Coffee/hot water selector to "0" position. The red lamp will be illuminated; waiting for a moment, the green lamp will be illuminated.

2. First, turn the steam control knob from "OFF" to "0" position in anti-clockwise. (Turn the knob with at least 135 degrees.) Then press coffee/hot water selector to "1" position, and hot water will flow out from the steam wand.

Note: At first the hot water will scatter from the steam wand. May let the steam wand outlet close to the coffee cup wall. Thus at this moment, you need to pay attention to the protection of hot water splash burns skin.

PRODUCING STEAM TO HEAT LIQUIDS

The steam wand (without the frothing device) can be used to make hot beverages like drinking chocolate, water or tea.

Method:

1. Open the tank cover, remove the detachable tank and fill it with desired water, the water level should not exceed the "MAX" mark in the tank. Then place the tank into the appliance properly.

2. Replace the tank, then connecting the appliance to power supply source.

3. Press the ON/OFF switch to the "1" position, the red lamp is illuminated.

4. Turn the steam control knob to "OFF" or "0" position, make the coffee/hot water selector on the "1" position, the pump will pump water, when there is water flowing out, close the pump(coffee/hot water selector to the "0" position) immediately, pressing the steam+switch to the "1" position and wait for a moment, the appliance begins to be heated until the green lamp is illuminated, it shows the heating is finish.

5. Remove the frothing device from the steam wand.

6. Dip the steam wand into the liquid to be heated. Turn the steam control knob in anti-clockwise slowly to start making steam.

7. When the required temperature is reached, you can turn the steam control knob to "OFF" or "0" position.

8. Press the ON/OFF switch to the "0" position to cut the power source off.

CLEANING AND MAINTENANCE

1. Cut off power source and let the coffee maker cool down completely before cleaning.

2. Clean housing of coffee maker with moisture-proof sponge often and clean water tank, drip tray and removable shelf regularly then dry them.

Note: Do not clean with alcohol or solvent cleanser. Never immerse the housing in water for cleaning.

3. Detach the metal funnel through turn it clockwise, get rid of coffee residue inside, then you can clean it with cleanser, but at last you must rinse with clear water.

4. Clean all the attachments in the water and dry thoroughly.

CLEANING MINERAL DEPOSITS

1. To make sure your coffee maker operating efficiently, internal piping is clean and the peak flavor of coffee, you

should clean away the mineral deposits every 2-3 months.

2. Fill the tank with water and descaler to the MAX level (the scale of water and descaler is 4:1; the detail refers to the instruction of descaler. Please use "household descaler", you can use the citric acid (obtainable from chemist's or drug stores) instead of the descaler (the one hundred parts of water and three parts of citric acid).

3. According to the program of pre-heating, put the metal funnel (no coffee powder in it) and carafe (jug) in place. Brewing water per "PRE-HEATING".

4. Press the ON/OFF switch to "1" position, the red lamp will be illuminated, press the steam switch to the "0" position and the coffee/hot water selector to the "1" position, when there is water flowing out and close the pump (the coffee/hot water selector to the "0" position), and waiting for a moment, the coffee maker begins to be heated.

5. When the green lamp is illuminated, it shows the heating is finish. Pressing the coffee/hot water selector to the "1" position and make two cups of coffee (about 2Oz). Then close the pump (the coffee/hot water selector to the "0" position) and wait for 5s.

6. Press the steam switch to the "1" position, waiting for until the green indicator is illuminated. Make steam for 2min, then turn the steam control knob to "OFF" or "0" position to stop making steam. Press the steam switch to the "0" position to stop the unit immediately; make the descalers deposit in the unit at least 15 minutes.

7. Restart the unit and repeat the steps of 4-6 at least 3 times.

8. Then Press the ON/OFF switch to "1" position, when the green lamp is illuminated, press the coffee/hot water selector to the "1" position to brew until no descaler is left.

SPECIFICATIONS

Power:	850 W
Rated voltage:	220-240 V
Rated frequency:	50 Hz
Rated current:	3.8 A
Net weight:	3.15 kg
Gross weight:	4.30 kg

SET

COFFEE MAKER	1
INSTRUCTION MANUAL WITH WARRANTY BOOK	1
PACKAGE	1

ENVIRONMENT FRIENDLY DISPOSAL



You can help protect the environment! Please remember to respect the local regulations: hand in the non-working electrical equipment to an appropriate

waste disposal center.

The manufacturer reserves the right to change the specification and design of goods.

RU

КОФЕВАРКА

Уважаемый покупатель!
Поздравляем Вас с приобретением изделия торговой марки "Saturn". Мы уверены, что наши изделия будут верными и надежными помощниками в Вашем домашнем хозяйстве.

Не подвергайте устройство режим перепадам температур. Резкая смена температуры (например, внесение устройства с мороза в теплое помещение) может вызвать конденсацию влаги внутри устройства и нарушить его работоспособность при включении. Устройство должно отстояться в теплом помещении не менее 1,5 часов. Ввод устройства в эксплуатацию после транспортировки производить не ранее, чем через 1,5 часа после внесения его в помещение.

МЕРЫ ПРЕДОСТОРОЖНОСТИ

1. Внимательно прочитайте данную инструкцию перед использованием прибора.
2. Перед использованием проверьте, чтобы напряжение в местной электросети совпадало с напряжением, указанным на заводской табличке прибора.
3. Будьте особенно внимательны при использовании прибора в присутствии детей или инвалидов.
4. Не размещайте прибор вблизи горячих предметов и поверхностей.
5. Вынимайте штепсель из розетки перед чисткой прибора и по окончании эксплуатации. Дайте прибору остыть перед тем, как снять или присоединить детали прибора, а также перед чисткой.
6. Не используйте прибор с поврежденным шнуром или штепселем, после неисправностей или падений, а также если прибор поврежден. Обратитесь в ближайший

авторизованный сервисный центр для проверки, ремонта или электрической или механической отладки.

7. Использование аксессуаров, не рекомендованных изготовителем, может привести к серьезным травмам или повреждению прибора.

8. Не тяните за шнур питания, не наматывайте его вокруг прибора и не перегибайте.

9. Размещайте прибор на ровной, устойчивой поверхности.

10. Следите, чтобы шнур питания не касался горячих предметов.

11. Не прикасайтесь к горячим частям прибора. Будьте осторожны, чтобы не обжечься горячим паром.

12. Не снимайте воронку для фильтра, когда прибор готовит кофе или когда горячая вода течет из воронки. Убедитесь, что сбросили давление в резервуаре для воды перед тем, как снять воронку.

13. Не включайте прибор без воды в резервуаре.

14. Выключайте прибор прежде, чем вытащить штепсель из розетки.

15. Будьте осторожны с горячим напитком, чтобы избежать ожогов.

16. Будьте осторожны при приготовлении капучино, чтобы не обжечься горячим паром.

17. Не погружайте прибор и шнур питания в воду или другую жидкость.

18. Сохраните эту инструкцию.

ТОЛЬКО ДЛЯ БЫТОВОГО ПРИМЕНЕНИЯ
Срок службы – 4 года. До введения в эксплуатацию срок хранения неограничен.

ОПИСАНИЕ (см. рисунок на стр. 4.)

1. Кофе Вкл./Выкл.
2. Выбор: Кофе/Горячая вода
3. Кнопка: Пар
4. Поддон
5. Съемная решетка
6. Регулятор пара
7. Крышка резервуара для воды
8. Резервуар для воды
9. Покрытие корпуса
10. Трубка для пара
11. Пенообразователь
12. Корпус
13. Основание
14. Сито из нержавеющей стали
15. Воронка
16. Ручка воронки
17. Мерная ложка с трамбовкой

ПЕРЕД ПЕРВЫМ ИСПОЛЬЗОВАНИЕМ

Чтобы первая чашка кофе имела хороший вкус, необходимо промыть кофеварку теплой водой следующим образом:

1. Налейте воду в резервуар для воды, уровень воды не должен превышать отметку "MAX". Затем закройте крышку резервуара.

Примечание: Прибор оснащен съемным резервуаром для простоты очистки. Вы можете сначала заполнить резервуар водой, а затем установить его на прибор.

2. Вставьте сито в воронку (не насыпайте кофе в сито).

3. Поставьте кружку на съемную решетку поддона. Удостоверьтесь, что регулятор пара находится в положении "OFF".

Примечание: Прибор не оснащен колбой, поэтому используйте свою колбу или чашку.

4. Вставьте штепсель в розетку, нажмите кнопку "Coffee+ON/OFF", индикатор замигает. Дождитесь, пока индикатор поддона гореть, не мигая.

5. Нажмите кнопку выбора «coffee / hot water» (кофе / горячая вода), насос начнет качать воду. Когда вода начнет выливаться, снова нажмите кнопку выбора «coffee / hot water», насос перестанет качать воду. В это время прибор начинает нагрев. Прибор нагрелся, когда индикатор "Coffee+ON/OFF" перестанет мигать. Снова нажмите кнопку «coffee / hot water», и вода потечет.

6. Когда вся вода вытечет, можете вылить воду из чашки и начинать варить кофе.

Примечание: При первой прокачке воды может быть слышен шум, так как из прибора выходит воздух. Это нормальное явление. Шум прекратится через секунд 20.

ПРЕДВАРИТЕЛЬНЫЙ НАГРЕВ

Чтобы сварить чашку хорошего горячего эспрессо, рекомендуется предварительно нагреть кофеварку, а также воронку, сито и чашку.

1. Возьмите съемный резервуар, откройте крышку и залейте желаемое количество воды, не превышая отметку "MAX". Установите резервуар на прибор.

2. Возьмите сито для одной или двух порций кофе, вставьте сито в воронку. Совместите воронку с позицией "Insert" (вставить) и поверните против часовой стрелки для фиксации в позицию "lock". (См. рис.1).

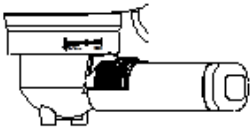


Рис. 1

3. Поставьте чашку на съемную решетку поддона.
4. Подключите прибор к источнику питания. Убедитесь, что регулятор пара находится в позиции "OFF" или "0".
5. Нажмите кнопку "Coffee+ON/OFF", индикатор замигает. Дождитесь, пока индикатор будет гореть, не мигая. Нажмите кнопку выбора «coffee / hot water» (кофе / горячая вода), вода потечет из воронки. Немедленно нажмите кнопку выбора «coffee / hot water», чтобы вода перестала вытекать. Это делается для того, чтобы перекачать воду из резервуара в корпус прибора.
6. Когда индикатор "Coffee +ON/OFF" будет гореть не мигая, нажмите кнопку "coffee / hot water", из воронки потечет горячая вода. Когда индикатор "Coffee+ON/OFF" замигает, перекройте насос. Предварительный нагрев закончен.

ПРИГОТОВЛЕНИЕ ЭСПРЕССО

1. Снимите воронку, повернув ее по часовой стрелке. Мерной ложкой насыпьте молотый кофе в сито. Одной мерной ложки молотого кофе хватит для приготовления одной чашки напитка. Хорошо утрамбуйте молотый кофе с помощью трамбовки.
2. Вставьте сито с молотым кофе в воронку, убедитесь, что сито вставлено правильно. Затем установите воронку на кофеварку в позицию "Insert" и зафиксируйте, повернув против часовой стрелки в позицию "lock". (См. Рис.1).
3. Вылейте горячую воду из чашки. Поставьте чашку на съемную решетку поддона.
4. В это время горит зеленый индикатор. Если зеленый индикатор не горит, подождите немного. Когда загорится зеленый индикатор, переключите кнопку «coffee/hot water» в позицию "1". Через несколько секунд кофе начнет вытекать из воронки.
Примечание: Если в процессе приготовления кофе зеленый индикатор погас, необходимо перекрыть насос и прервать приготовление напитка. Через несколько секунд зеленый индикатор

вновь загорится, и тогда можно продолжить приготовление кофе, переключив кнопку «coffee/hot water» в позицию "1".

5. Нужно переключить кнопку «coffee / hot water» в позицию "0" когда кофе сварен. Индикаторы погаснут и кофеварка выключится.
ВНИМАНИЕ: Не оставляйте работающий прибор без присмотра.
6. По окончании приготовления кофе снимите воронку и высыпьте из сита кофейную гущу.
7. Подождите, пока сито и воронка остынут, затем промойте их под струей воды.

ПЕННОЕ МОЛОКО/КАПУЧИНО

Капучино – это кофе с молочной пеной.

Способ приготовления:

1. Сперва сварите кофе эспрессо. Следите, чтобы регулятор пара стоял в позиции "OFF" или "0".
2. Нажмите кнопку «steam+switch», подождите пока индикатор перестанет мигать.

Примечание: Если в процессе приготовления кофе зеленый индикатор погас, необходимо повернуть регулятор пара в положение "OFF" или "0". Переключите кнопку «coffee / hot water» в позицию "1" и качайте воду. Через 30 секунд переключите насос (переключите кнопку «coffee / hot water» в позицию "0"), подождите, пока зеленый индикатор загорится и поверните регулятор пара против часовой стрелки. Пар снова начнет выходить.

3. Налейте в кружку примерно 100мл молока для каждой порции капучино. Рекомендуется брать цельное молоко из холодильника (не горячее!).

Примечание: Кружка для молока должна быть достаточно большой: диаметр не менее 70±5мм. Учтите, что объем молока увеличится в 2 раза.

4. Медленно поверните регулятор пара против часовой стрелки. Из пенообразователя пойдет пар.

Примечание: Не поворачивайте регулятор пара слишком быстро, так как это может привести к резкому выбросу пара.

5. Погрузите пенообразователь в молоко на 2 сантиметра, вспеньте молоко, совершая движения кружкой по кругу и вверх-вниз.
6. Сделав пену, поверните регулятор пара в позицию "OFF" или "0".

Примечание: После того, как пар перестал выходить, сразу очистите пенообразователь влажной губкой.

7. Влейте молочную пену в готовый эспрессо – и капучино готов. Можете добавить сахар по вкусу и украсить напиток какао-порошком.

8. Переключите кнопку «ON/OFF» в позицию “0”, отключите прибор от электросети.

Примечание: Рекомендуется дать кофеварке остыть в течение 5 минут перед следующим приготовлением кофе. В противном случае у эспрессо может появиться горелый привкус.

ГОРЯЧАЯ ВОДА:

1. Эта функция позволяет нагревать кофейную чашку, чтобы кофе получался достаточно горячим и ароматным.

2. Эта функция также позволяет мыть кофейные чашки. Выпив кофе, налейте в чашку горячую воду из кофеварки. Это очень удобный способ вымыть чашку.

Процедура:

1. Переключите кнопку «On/Off» в положение “1”; регулятор пара должен быть в позиции “0”, кнопка «coffee / hot water» - в позиции “0”. Загорится красный индикатор. Подождите, пока загорится зеленый индикатор.

2. Поверните регулятор пара против часовой стрелки как минимум на 135 градусов. Затем переключите кнопку «coffee / hot water» в позицию “1”, и горячая вода польется из трубки для пара.

Примечание: Держите трубку для пара ближе к стенке чашки, чтобы избежать ожога от горячих брызг.

РАЗОГРЕВ НАПИТКА С ПОМОЩЬЮ ПАРА

Трубку для пара (без пенообразователя) можно использовать для разогрева напитков, таких как какао, вода или чай.

Процедура:

1. Наполните резервуар водой так, чтобы уровень не превышал отметки “MAX”.

2. Подключите кофеварку к электросети.

3. Переключите кнопку «ON/OFF» в положение “1”, загорится красный индикатор.

4. Поверните регулятор пара в положение “OFF” или “0”. Переключите кнопку «coffee / hot water» в позицию “1”, насос начнет качать воду. Когда вода потечет, немедленно прекройте насос (кнопка «coffee / hot water» в положении “0”),

переключите кнопку «steam+switch» в положение “1” и через несколько секунд кофеварка нагреется и зеленый индикатор загорится.

5. Снимите пенообразователь с трубки для пара.

6. Погрузите трубку для пара в напиток, который хотите разогреть. Медленно поверните регулятор пара против часовой стрелки, чтобы пар начал выходить.

7. Когда напиток разогреется до желаемой температуры, поверните регулятор пара в положение “OFF” или “0”.

8. Переключите кнопку «ON/OFF» в положение “0” и отключите прибор от электросети.

ЧИСТКА И УХОД

1. Отключите прибор от электросети и дайте полностью остыть перед чисткой.

2. Регулярно протирайте корпус кофеварки влажной, хорошо отжатой губкой, мойте резервуар для воды, поддон и съемную решетку, затем хорошо просушивайте.

Примечание: Не используйте для чистки прибора средства, содержащие спирт и растворители. Не погружайте корпус в воду или другую жидкость.

3. Снимите воронку, повернув ее по часовой стрелке, удалите кофейную гущу. Воронку можно помыть в растворе мощного средства, но затем промыть чистой водой.

4. Вымойте и хорошо просушите все съемные детали.

УДАЛЕНИЕ НАКИПИ

1. Для того, чтобы ваша кофеварка хорошо работала и варила вкусный кофе, необходимо удалять известковые отложения каждые 2-3 месяца.

2. Наполните резервуар раствором воды со средством для удаления накипи до отметки «MAX» (пропорция: на 4 части воды 1 часть средства для удаления накипи, или как указано в инструкции к средству для удаления накипи). Можно самостоятельно сделать средство для удаления накипи: на 100 частей воды 3 части лимонной кислоты.

3. Следуя процедуре предварительного нагрева, установите воронку (без кофе) на прибор, чашку на решетку и нагрейте воду как в разделе «Предварительный нагрев».

4. Переключите кнопку «ON/OFF» в позицию “1”, загорится красный индикатор. Переключите кнопку «Пар» в позицию “0”, а кнопку «coffee/ hot water» - в позицию “1”.

Когда из насоса потечет вода, перекройте насос (кнопка «coffee/hot water» в позиции «0») и подождите, пока кофеварка начнет нагреваться.

5. Когда загорится зеленый индикатор, нагрев завершен. Переключите кнопку «coffee / hot water» в позицию «1» и налейте 2 чашки жидкости. Затем перекройте насос (кнопка «coffee / hot water» в позиции «0») и подождите 5 секунд.

6. Переключите кнопку «Пар» в позицию «1», подождите, пока загорится зеленый индикатор. Выпускайте пар в течение 2 минут, затем поверните регулятор пара в положение «OFF» или «0». Переключите кнопку «Пар» в позицию «0». Оставьте средство для удаления накипи в кофеварке на 15 минут.

7. Снова включите прибор и повторите пункты 4-6 как минимум 3 раза.

8. Затем переключите кнопку «ON/OFF» в позицию «1». Когда загорится зеленый индикатор, переключите кнопку «coffee / hot water» в положение «1» и пропустите раствор средства для удаления накипи, пока его не останется в кофеварке.

ТЕХНИЧЕСКИЕ ХАРАКТЕРИСТИКИ

Мощность:	850 Вт
Номинальное напряжение:	220-240 В
Номинальная частота:	50 Гц
Номинальная сила тока:	3,8 А
Вес нетто:	3,15 кг
Вес брутто:	4,30 кг

КОМПЛЕКТАЦИЯ

КОФЕВАРКА	1
ИНСТРУКЦИЯ ПО ЭКСПЛУАТАЦИИ	
С ГАРАНТИЙНЫМ ТАЛОНОМ	1
УПАКОВКА	1

БЕЗОПАСНОСТЬ ОКРУЖАЮЩЕЙ СРЕДЫ. УТИЛИЗАЦИЯ



Вы можете помочь в охране окружающей среды! Пожалуйста, соблюдайте местные правила: передавайте неработающее электрическое оборудование

в соответствующий центр утилизации отходов.

Производитель оставляет за собой право вносить изменения в технические характеристики и дизайн изделий.

КАВОВАРКА

Шановний покупцю!

Вітаємо Вас із придбанням виробу торгівельної марки "Saturn". Ми впевнені, що наші виробі будуть вірними й надійними помічниками у Вашому домашньому господарстві.

Не піддавайте пристрій різким перепадам температур. Різка зміна температури (наприклад, внесення пристрою з морозу в тепле приміщення) може викликати конденсацію вологи всередині пристрою та порушити його працездатність при вмиканні. Пристрій повинен відстоятися в теплому приміщенні не менше ніж 1,5 години. Введення пристрою в експлуатацію після транспортування проводити не раніше, ніж через 1,5 години після внесення його в приміщення.

ЗАПОБІЖНІ ЗАХОДИ

1. Уважно прочитайте цю інструкцію перед використанням приладу.

2. Перед використанням перевірте, щоби напруга в місцевій електромережі збігалася з напругою, зазначеною на таблиці приладу.

3. Будьже особливо уважні при використанні приладу в присутності дітей або інвалідів.

4. Не ставте прилад поблизу гарячих предметів і поверхонь.

5. Виймайте штепсель з розетки перед чищенням приладу і після закінчення експлуатації. Дайте приладу охолонути перед тим, як зняти або приєднати деталі приладу, а також перед чищенням.

6. Не використовуйте прилад із пошкодженим шнуром або штепселем, після несправностей або падінь, а також якщо прилад пошкоджений. Зверніться до найближчого авторизованого сервісного центру для перевірки, ремонту або електричного або механічного налагодження.

7. Використання аксесуарів, не рекомендованих виробником, може призвести до серйозних травм або пошкодження приладу.

8. Не тягніть за шнур живлення, не намотуйте його навколо приладу і згинайте.

9. Розміщуйте прилад на рівній, стійкій поверхні.

10. Стежте, щоби шнур живлення не торкався гарячих предметів.

11. Не торкайтеся гарячих частин приладу. Будьте обережні, щоби не обпектися гарячою парою.
 12. Не знімайте воронку для фільтра, коли прилад готує каву або коли гаряча вода тече з воронки. Переконайтеся, що скинули тиск у резервуарі для води перед тим, як зняти воронку.
 13. Не вмикайте прилад без води в резервуарі.
 14. Вмикайте прилад перш, ніж витягнути штепсель з розетки.
 15. Будьте обережні з гарячим напоєм, щоб уникнути опіків.
 16. Будьте обережні при приготуванні капучіно, щоб не обпектися гарячою парою.
 17. Не занурюйте прилад і шнур живлення у воду або іншу рідину.
 18. Збережіть цю інструкцію.
- ПРИЛАД ПРИЗНАЧЕНИЙ ТІЛЬКИ ДЛЯ ПОБУТОВОГО ВИКОРИСТАННЯ**
 Термін служби – 4 роки. До введення в експлуатацію термін зберігання необмежений.

ОПИС (див. малюнок на стор. 4)

1. Кава Увімк./Вимк.
2. Вибір: Кава/Гаряча вода
3. Кнопка: Пара
4. Піддон
5. Знімна решітка
6. Регулятор пари
7. Кришка резервуара для води
8. Резервуар для води
9. Покриття корпусу
10. Трубка для пари
11. Піноутворювач
12. Корпус
13. Основа
14. Сито з нержавючої сталі
15. Воронка
16. Ручка воронки
17. Мірна ложка з трамбовкою

ПЕРЕД ПЕРШИМ ВИКОРИСТАННЯМ

Щоби перша чашка кави мала добрий смак, необхідно промити кавоварку теплою водою наступним чином:

1. Налийте воду в резервуар для води, рівень води не повинен перевищувати позначку "MAX". Потім закрийте кришку резервуара.

Примітка: Прилад оснащений знімним резервуаром для простоти очищення. Ви можете спочатку заповнити резервуар водою, а потім встановити його на прилад.

2. Вставте сито у воронку (не насапайте кави в сито).

3. Поставте чашку на знімну решітку піддону. Переконайтеся, що регулятор пари знаходиться в позиції "OFF".

Примітка: Прилад не обладнано колбою, тому використовуйте свою колбу або чашку.

4. Вставте штепсель у розетку, натисніть кнопку "Coffee +ON/OFF", індикатор почне блимати. Дочекайтеся, поки індикатор буде горіти, не блимаючи.

5. Натисніть кнопку вибору «coffee / hot water» (кофе / гаряча вода), насос почне качати воду. Коли вода почне виливатися, знову натисніть кнопку вибору «coffee / hot water», насос перестане качати воду. У цей час прилад починає нагрів. Прилад нагрівся, коли індикатор "Coffee+ON/OFF" перестане блимати. Знову натисніть кнопку «coffee / hot water», і вода потече.

6. Коли вся вода витече, можете вилити воду з чашки і починати варити каву.

Примітка: При першому прокачуванні води може бути чутний шум, бо з приладу виходить повітря. Це нормальне явище. Шум припиниться через секунд 20.

ПОПЕРЕДНІЙ НАГРІВ

Щоб зварити чашку доброго гарячого еспресо, рекомендується заздалегідь нагріти кавоварку, а також воронку, сито і чашку.

1. Візьміть знімний резервуар, відкрийте кришку і влийте бажану кількість води, не перевищуючи відмітки "MAX". Встановіть резервуар на прилад.

2. Візьміть сито для однієї або двох порцій кави, вставте сито у воронку. Зіставте воронку з позицією "Insert" (вставити) і поверніть проти годинникової стрілки для фіксації в позицію "lock". (Див. мал.1).



Мал. 1

3. Поставте чашку на знімну решітку піддону.

4. Підключіть прилад до джерела живлення. Переконайтеся, що регулятор пари знаходиться в позиції "OFF" або "0".

5. Натисніть кнопку «Coffee+ON/OFF», індикатор почне блимати. Дочекайтеся, поки індикатор буде горіти, не блимаючи. Натисніть кнопку вибору «coffee / hot water» (кава / гаряча вода), вода потече з воронки. негайно натисніть кнопку вибору «coffee / hot water», щоби вода перестала витікати. Це робиться для того, щоб перекачати воду з резервуара в корпус приладу.

6. Коли індикатор «Coffee+ON/OFF» горить не блимаючи, натисніть кнопку «coffee / hot water», з воронки потече гаряча вода. Коли індикатор «Coffee+ON/OFF» почне блимати, закрийте насос. Попередній нагрів закінчено.

ПРИГОТУВАННЯ ЕСПРЕСО

1. Зніміть воронку, повернувши її за годинниковою стрілкою. Мірною ложкою насипте мелену каву в сито. Однієї мірної ложки меленої кави вистачить для приготування однієї чашки напою. Добре утрамбуйте мелену каву за допомогою трамбовки.

2. Вставте сито з меленою кавою у воронку, переконайтеся, що сито вставлено правильно. Потім встановіть воронку на кавоварку в позицію «Insert» і зафіксуйте, повернувши проти годинникової стрілки в позицію «lock». (Див. мал.1).

3. Вилийте гарячу воду з чашки. Поставте чашку на знімну решітку піддону.

4. У цей час горить зелений індикатор. Якщо зелений індикатор не горить, почекайте трохи. Коли загориться зелений індикатор, переведіть кнопку «coffee / hot water» в позицію «1». Через кілька секунд кава почне витікати з воронки.

Примітка: Якщо в процесі приготування кави зелений індикатор згас, необхідно перекрити насос і перервати приготування напою. Через кілька секунд зелений індикатор знову загориться, і тоді можна продовжити приготування кави, перемкнувши кнопку «coffee / hot water» в позицію «1».

5. Треба перемкнути кнопку «coffee / hot water» в позицію «0» коли кава зварена. Індикатори згаснуть і кавоварка вимкнеться.

УВАГА: Не залишайте працюючий прилад без нагляду.

6. По закінченні приготування кави зніміть воронку і висипте з сита кавову гушину.

7. Зачекайте, поки сито і воронка охолонуть, потім промийте їх під струменем води.

ПІННЕ МОЛОКО/КАПУЧІНО

Капучіно - це кава з молочною піною.

Спосіб приготування:

1. Першу зваріть каву еспресо. Стежте, щоби регулятор пари стояв у позиції «OFF» або «0».

2. Натисніть кнопку «steam+switch», почекайте поки індикатор перестане блимати.

Примітка: Якщо в процесі приготування кави зелений індикатор згас, необхідно повернути регулятор пари в положення «OFF» або «0». Перемкніть кнопку «coffee / hot water» в позицію «1» і качайте воду. Через 30 секунд закрийте насос (перемкніть кнопку «coffee / hot water» в позицію «0»), почекайте, поки зелений індикатор загориться і поверніть регулятор пари проти годинникової стрілки. Пара знову почне виходити.

3. Налийте в кувалку приблизно 100мл молока для кожної порції капучіно. Рекомендуються брати незбиране молоко з холодильника (не гаряче!).

Примітка: Кружка для молока повинна бути досить великою: діаметр не менше 70±5мм. Врахуйте, що обсяг молока збільшиться в 2 рази.

4. Повільно поверніть регулятор пари проти годинникової стрілки. З піноутворювача піде пара.

Примітка: Не повертайте регулятор пари занадто швидко, бо це може призвести до різкого викиду пари.

5. Занурте піноутворювач в молоко на 2 сантиметри, вспінйте молоко, здійснюючи рухи кувалкою по колу і вгору-вниз.

6. Зробивши піну, поверніть регулятор пари в позицію «OFF» або «0».

Примітка: Після того, як пара перестане виходити, відразу очистіть піноутворювач вологою губкою.

7. Влийте молочну піну в готовий еспресо - і капучіно готовий. Можете додати цукор за смаком і прикрасити напій какао-порошком.

8. Перемкніть кнопку «ON / OFF» в позицію «0», відключіть прилад від електромережі.

Примітка: Рекомендуються дати кавоварці охолонути протягом 5 хвилин перед наступним приготуванням кави. В іншому випадку еспресо може мати горілий присмак.

ГАРЯЧА ВОДА:

1. Ця функція дозволяє нагрівати чашку, щоби кава виходила досить гарячою і ароматною.

2. Ця функція також дозволяє мити кавові чашки. Випивши каву, налейте

в чашку гарячу воду з кавоварки. Це дуже зручний спосіб вимити чашку.

Процедура:

1. Перемкніть кнопку «On/Off» у позицію "1"; регулятор пари повинен бути в позиції "0", кнопка «coffee / hot water» - в позиції "0". Загориться червоний індикатор. Зачекайте, поки загориться зелений індикатор.

2. Поверніть регулятор пари проти годинникової стрілки щонайменше на 135 градусів. Потім переведіть кнопку «coffee / hot water» в позицію "1", і гаряча вода поллється з трубки для пари.

Примітка: Тримайте трубку для пари ближче до стінки чашки, щоб уникнути опіку від гарячих бризок.

РОЗІГРІВ НАПОЮ ЗА ДОПОМОГОЮ ПАРИ

Трубку для пари (без піноутворювача) можна використовувати для розігріву напоїв, таких як какао, вода або чай.

Процедура:

1. Наповніть резервуар водою так, щоб рівень не перевищував позначки "MAX".

2. Підключіть кавоварку до електромережі.

3. Перемкніть кнопку «ON/OFF» у положення "1", загориться червоний індикатор.

4. Поверніть регулятор пари в положення "OFF" або "0". Перемкніть кнопку «coffee / hot water» в позицію "1", насос почне качати воду. Коли вода потече, негайно перекрийте насос (кнопка «coffee / hot water» в положенні "0"), переведіть кнопку «steam+switch» в положення "1" і через кілька секунд кавоварка нагріється і зелений індикатор загориться.

5. Зніміть піноутворювач з трубки для пари.

6. Занурте трубку для пари в напій, який хочете розігріти. Повільно поверніть регулятор пари проти годинникової стрілки, щоби пара почала виходити.

7. Коли напій розігріється до бажаної температури, поверніть регулятор пари в положення "OFF" або "0".

8. Перемкніть кнопку «ON/OFF» у положення "0" і відключіть прилад від електромережі.

ЧИЩЕННЯ І ДОГЛЯД

1. Відключіть прилад від електромережі і дайте повністю охолонути перед чищенням.

2. Регулярно протирайте корпус кавоварки вологою, добре віджатою губкою, мийте резервуар для води,

піддон і знімну решітку, потім добре просушіть.

Примітка: Не використовуйте для чищення приладу засоби, що містять спирт і розчинники. Не занурюйте корпус у воду або іншу рідину.

3. Зніміть воронку, повернувши її за годинниковою стрілкою, видаліть кавову гущину. Воронку можна помити в розчині мийного засобу, але потім промити чистою водою.

4. Вимийте і добре просушіть всі знімні деталі.

ВИДАЛЕННЯ НАКИПУ

1. Для того, щоб ваша кавоварка добре працювала і варила смачну каву, необхідно видалити вапняні відкладення кожні 2-3 місяці.

2. Наповніть резервуар розчином води із засобом для видалення накипу до позначки «MAX» (пропорція: на 4 частини води 1 частина засобу для видалення накипу, або як вказано в інструкції до засобу для видалення накипу). Можна самостійно зробити засіб для видалення накипу: на 100 частин води 3 частини лимонної кислоти.

3. Дотримуючись процедури попереднього нагрівання, встановіть воронку (без кави) на прилад, чашку на решітку і нагрійте воду як в розділі «Попередній нагрів».

4. Перемкніть кнопку «ON / OFF» у позицію "1", загориться червоний індикатор. Перемкніть кнопку «Пара» в позицію "0", а кнопку «coffee / hot water» - в позицію "1". Коли з насоса потече вода, перекрийте насос (кнопка «coffee / hot water» в позиції "0") і почекайте, поки кавоварка почне нагріватися.

5. Коли загориться зелений індикатор, нагрівання завершено. Перемкніть кнопку «coffee / hot water» в позицію "1" і налійте 2 чашки рідини. Потім закрийте насос (кнопка «coffee / hot water» в позиції "0") і почекайте 5 секунд.

6. Перемкніть кнопку «Пара» в позицію "1", почекайте, поки загориться зелений індикатор. Випускайте пару протягом 2 хвилин, потім поверніть регулятор пари в положення "OFF" або "0". Перемкніть кнопку «Пара» в позицію "0". Залиште засіб для видалення накипу в кавоварці на 15 хвилин.

7. Знову ввімкніть прилад і повторіть пункти 4-6 щонайменше 3 рази.

8. Потім переведіть кнопку «ON / OFF» у позицію "1". Коли загориться зелений індикатор, переведіть кнопку «coffee / hot water» в положення "1" і пропустіть розчин засобу для

видалення накипу, поки його не залишиться в кавоварці.

ТЕХНІЧНІ ХАРАКТЕРИСТИКИ

Потужність:	850 Вт
Номинальна напруга:	220-240 В
Номинальна частота:	50 Гц
Номинальна сила струму:	3.8 А
Вага нетто:	3,15 кг
Вага брутто:	4,30 кг

КОМПЛЕКТАЦІЯ

КАВОВАРКА	1
ІНСТРУКЦІЯ З ЕКСПЛУАТАЦІЇ	
З ГАРАНТІЙНИМ ТАЛОНОМ	1
УПАКОВКА	1

БЕЗПЕКА НАВКОЛИШНЬОГО СЕРЕДОВИЩА. УТИЛІЗАЦІЯ



Ви можете допомогти в охороні навколишнього середовища! Будь ласка, дотримуйтесь місцевих правил: передавайте непрацююче електричне обладнання у відповідний центр утилізації відходів.

Виробник залишає за собою право вносити зміни в технічні характеристики й дизайн виробів.

KZ

КОФЕ ҚАЙНАТҚЫШ

Құрметті сатып алушы!

"Saturn" сауда маркасының бұйымын сатып алуыңызбен Сізді құттықтаймыз. Біз өз бұйымдарымыздың Сіздің үй тұрмысы шаруашылығында нағыз сенімді әрі адал болатындығына сенімдіміз.

Құрылғыны температуралардың күрт өзгерулеріне жатқызбаңыз. Температураның күрт өзгеруі (мысалы, құрылғыны аязды ауадан жылы бөлмеге алып кіргенде) құрылғының ішінде ылғалдың конденсациялануына апарып соқтыра алады және сөйтіп, оны қыстырғанда оның жұмысқа қабілеттігін бүлдіре алады. Құрылғы жылы бөлмеде 1,5 сағаттай уақыт жылынып тұруға тиіс болады. Тасымалдаған соң құрылғыны бөлмеген кіргізген соң 1,5 сағаттан кейін ғана пайдалана беруге болады.

САҚТАНДЫРУ ШАРАЛАРЫ

1. Құрылғыны пайдаланбас бұрын осы нұсқаулықты мұқият оқып шығыңыз.
2. Құрылғыны қолданар алдында жергілікті қамтамасыз етілетін кернеумен теңгерімді құрылғыда көрсетілген кернеуге сәйкес келетініне тексеріңіз.
3. Мүмкіндігі шектеулі балалардың қатысуымен құрылғыны немесе әсіресе пайдаланған кезде абай болыңыз.
4. Құрылғының беттеріне жақын ыстық заттарды қоймаңыз.
5. Пайдаланғаннан кейін құрылғыға және тазалау алдында қабырға розеткасынан ажыратыңыз. бөлшектер құрылғыға немесе шығармас бұрын құрылғыны беріңіз, және тазалау алдында салқындатыңыз.
6. Ақаулық түсіп болған соң оның ашасы құрылғы сымы зақымдалған бірге пайдалануға, сондай-ақ, егер құрылғы зақымданған болса қоспаңыз. Сараптама жүргізу үшін жақын жердегі өкілетті қызмет көрсету орталығы, жөндеу, электр қолмен жөндеуді хабарласыңыз.
7. Өндіруші ұсынған емес керек-жарақтарды пайдалану ауыр жарақатқа залал құрылғы әкелуі мүмкін.
8. Қуат сымын тартыңыз немесе құрылғы айналасында иілу оны айналдырмаңыз.
9. Оның құрылғыны тегіс бедерге орнықтырыңыз.
10. Қуат сымы ыстық заттарды тиіп тұрмағанын тексеріңіз.
11. Құрылғының жанында ыстық бөліктері ұстамаңыз. Ыстық бу қарып кетпеуі үшін, абай болыңыз.
12. Ыстық су жүзеге ағып кезде құрылғы кофе дайындау кезінде құйма түтікті алып тастамаңыз. Оны шығармас бұрын су ыдысында қысым жеңілдететін көз жеткізіңіз.
13. Резервуарды сусыз күйінде қоспаңыз.
14. Желі шнурының ашасын розеткадан тартыңыз суырып құрылғыны өшіріңіз.
15. Күйіп қалмау үшін, ыстық сусындар абай болыңыз.
16. Капучино дайындау кезінде ыстық бұмен қарып кетпес үшін, абай болыңыз.
17. Су немесе басқа сұйықтыққа айналады құрылғы мен қуат сымын суға батырмаңыз.
18. Осы нұсқаулықты сақтап қойыңыз.

ТЕК ТҰРМЫСТА ПАЙДАЛАНУҒА АРНАЛҒАН

Қызмет мерзімі – 4 жыл. Пайдалануға берілгенше сақталу мерзімі шектелмеген.

СИПАТТАМАСЫ (4-беттегі суретті қараңыз)

1. Кофе Қос/Өшір.
2. таңдау: Кофе/Ыстық су
3. Батырмасы: Бу
4. Тұғыр
5. Суырмалы тор
6. Буды реттеуіш
7. Суға арналған резервуар қақпағы
8. Суға арналған резервуар
9. Корпустың жабыны
10. Буға арналған түтік
11. Көбіктүзгіш
12. Корпус
13. Негізі
14. Тот баспайтын болаттан жасалған торша
15. Құйма түтік
16. Құйма түтіктің тұтқасы
17. Тығыздамасымен өлшеуіш қасық

АЛҒАШ ПАЙДАЛАНАР АЛДЫНДА

Кофенің алғашқы кесесінде жақсы дәм болуы үшін, бұл төмендегідей жылы сумен кофе қайнатқышты жуып алу қажет:

1. Су ыдысына су құйыңыз да, судың деңгейі «MAX» белгісінен аспауы керек. Содан кейін саңылаудың қақпағын жабыңыз.

Ескерту: Құрылғы оңай тазалау үшін алынбалы резервуарға жабдықталған. Сіз бірінші сумен толтырыңыз, содан кейін оны құрылғыға орнатуға болады.

2. Құйма түтікке елеуішті салыңыз (кофені елеуішке алушы болмаңыз).

3. Ыдысты тұғырдың суырылмалы торшасына орнықтырмаңыз. Будың реттеуіші «OFF» жағдайында тұрғандығына көз жеткізіп алыңыз.

Ескерту: Құрылғы колбамен жараталмаған, сондықтан да өз колбаңызды немесе кесенізді пайдалануға тура келеді.

4. Штепсельді розеткаға тығыңыз да, «Coffee+ON/OFF» батырмасын басыңыз, индикатор жыпылықтайды. Индикатор жыпылықтап болып, тұрақты жануын күттіңіз.

5. «coffee / hot water» (кофе / ыстық су) таңдау батырмасын басыңыз, сорғы суды сора бастайды. Су кемерінен асқалы жатқанда қайтадан сол «coffee / hot water»,

таңдау батырмасын басасыз, сонда сорғы суды соруын доғарады. Бұл кезде құрылғы қыздыруын бастайды. Құрылғы ысыды делік, яғни индикатор «Coffee+ON/OFF» жыпылықтауын қояды. Қайтадан «coffee / hot water» батырмасын басқанда, тағы су кетеді.

6. Барлық су ағып болғанда, ыдыстағы суды төгіп тастап, кофе қайнатуды бастауға болады.

Ескерту: бірінші сорғымен су сорғанда шуыл естілуі мүмкін, себебі құрылғыдан ауа шығарылады. Бұл қалыпты жағдай. Сол шуыл 20 секундтан кейін өзі тоқтайды.

АЛДЫН АЛА ЫСЫТУ

Ыстық эспрессо жақсы кесе дайындауға, ол кофе машинаны, сондай-ақ, құбыр елек және кесе алдын ала қыздыру үшін ұсынылады.

1. Су құйғанда, «MAX» белгісінен аспауы тиіс, су қалаған соманы құйыңыз алынбалы саңылаудың қақпағы ашық әрі алыңыз. Құрылғыға резервуарды орнатыңыз.

2. Бір немесе екі кофе шыныаяқ үшін экранды алып, шұңқыр елеңіз салыңыз. «Insert» жағдайында «lock» күйінде құлыптау үшін (кірістіру) және кезегі сағат тіліне қарсы лауазымына сәйкес шұңқыр туралаңыз. (1-суретте қара).



Рис. 1

3. Ыдысты тұғырдың суырмалы торшасына орнықтырыңыз.

4. Қуат көзіне құрылғыны қосыңыз. Бу тұтқасын айналдырып, «OFF» немесе «0» екеніне көз жеткізіңіз.

5. басыңыз «Coffee + ON / OFF», индикаторы жыпылықтайды. Индикатор шамы жыпылықтап қалады дейін жоқ, күтіңіз. Баспасөз «Coffee / hot water» (кофе / ыстық су) таңдау үшін түймесін басыңыз, шұңқыр су ағып өтеді. Су ағысын тоқтатып, сондықтан дереу, «Coffee / hot water» таңдау үшін түймесін басыңыз. Бұл тұрғын үй құрылғы ішіне қоймасынан суды айдауға үшін жасалады.

6. «Coffee +ON/OFF» бюджет индикаторы жыпылықтамастан жанған кезде, «coffee / hot water» батырмасын басыңыз, құйма түтіктен ыстық су ағады. «Coffee+ON/OFF» индикаторы жыпылықтай бастағанда, сорғыны

бітеп жауып тастаңыз. Алдын ала қыздыру аяқталды.

ЭСПРЕССО ӨЗІРЛЕУ

1. Сағат тілі бойынша бұрап шұңқыр алыңыз. қасық өлшеу, елек тартылған кофе құйып. Кофені бір өлшеуіш қасық сусынның бір кесе жасау үшін жеткілікті болады. Жақсы нығыздау арқылы тартылған кофе набивать.

2. Шұңқыр ұнтақталған кофе бар елекке салыңыз, тор дұрыс орнатылғандығына көз жеткізіңіз. Содан кейін лауазымы «lock» қарсы бұрап, «Insert» және құлып лауазымына кофе машинаға шұңқыр орнату (1-суретін қараңыз).

3. Ыдыстан ыстық суды төгіп тастаңыз. Ыдысты тұғырдың суырмалы ыдысты тұғырдың суырмалы торшасына қойыңыз.

4. Осы уақытта, жасыл индикатор жанады. Жасыл шамы өшірулі болса, біраз уақыт күте тұрыңыз. Жасыл индикатор қосқыш түймешігі жағдайына «1» «Coffee / hot water». Бірнеше секундтан кейін кофе шұңқыр ағып бастайды.

Ескерту: Егер кофе жасыл индикатор қабылдау процесіне шығады, ол сусын пісіру үрдісін тоқтату сорғы және бұғаттау қажет. Бірнеше секундтан кейін жасыл жарық диоды қайтадан жанады, онда сіз және түймесін ауысу, кофе жалғастыра алады «coffee/hot water» “1” позициясына келтіріңіз.

5. Кофе қайнап болғанда «coffee / hot water» батырмасын “0” позициясына келтіріңіз. Индикаторлар өшеді және кофе қайнатқыш сөнеді.

НАЗАР АУДАРЫҢЫЗ: Жұмыс істеп тұрған құрылғыны бақылаусыз қалдырушы болмаңыз.

6. Кофені әзірлеп болғанда, құйма түтікшесін шешіп алыңыз да електегі кофенің қалдықтарын төгіп тастаңыз.

7. Елек пен құйма түтік салқындағанша күтіңіз, сосын оларды судың ағынының астында ұстаңыз.

КӨБІКТІ СҮТ/КАПУЧИНО

Капучино – бұл сүт көбікті кофе.

Пайдалану тәсілі:

1. Алдымен эспрессо кофесін қайнатып алыңыз. Бұды реттегіш тетік “OFF” немесе “0” жаңдайларында тұруын қадағалаңыз.

2. «steam+switch» батырмасын басыңыз, индикатор жыпылықтауын тоқтатуын күтіңіз.

Ескерту: Жасыл жарық кофе қабылдау процесіне сөніп қалса, «OFF» немесе «0» бұ тұтқасын бұраңыз. Позиция «1» және сорғы

сүға батырмасы «coffee / hot water» қосыңыз. 30 секундтан кейін сорғыны («0» түймесін «coffee / hot water» лауазымы ауысу), жасыл жарық диоды және сағат тіліне қарсы бұраңыз, бұ тұтқасын жанғанша күтіңіз өшіру. Бұ қайтадан шығып бастайды.

3. Әр капучино үшін сүт шамамен 100 мл үйірмелер құйыңыз. Ол тоңазытқыш бүкіл сүт қабылдау ұсынылады (ыстық емес!).

Ескерту: Сүт үйірме кем дегенде 70 ± 5 мм жеткілікті үлкен диаметрлі болуы тиіс. 2 есе сүт көлемі артуы екенін ескеріңіз.

4. Баяу сағат тіліне қарсы бұ тұтқасын бұраңыз. Көбікті агенттен жұптастыру болады.

Ескерту: Осы бұ күрт босату әкелуі мүмкін, себебі тым тез Бұ бақылауын бұраңыз.

5. Шеңбер үйірме және жоғары және төмен айналасында қозғалысын қабылдау, 2 сантиметр, көбік сүт сүт ішіне зат батырыңыз.

6. Көбік жасап алып, бұды реттегішін “OFF” немесе “0” позициясына бұраңыз.

Ескерту: Ерлі-зайыптылар дереу таза дымқыл шүберек көбікті агент тоқтатты кейін.

7. Дайын капучино және - дайын эспрессо ішіне сүт көбік құйыңыз. Сіз және сәндік сусын қақпау ұнтағы дөміне қарай қант қосуға болады.

8. «ON/OFF» пернесін “0” позициясына бұраңыз, құрылғыны желіден суырып тастаңыз.

Ескерту: Ол келесі кофе дайындау дейін 5 минут кофе машинаны салқындату үшін ұсынылады. Әйтпесе, эспрессо түгелдей күйген дәмі пайда болуы мүмкін.

ЫСТЫҚ СУ:

1. Бұл функция жеткілікті ыстық кофе хош және алуға бір шыны кофе қыздыру мүмкіндік береді.

2. Бұл функция сонымен қатар сіз кофе кесе жуу мүмкіндік береді. Кофе ішіп болған соң, кофебұқтырғышқа ыстық су кесе құйып. Бұл күбок жуу үшін өте ыңғайлы жолы болып табылады.

Рәсімі:

1. Позицияға «1» «On / Off» батырмасы ауысу; жағдайына «0» - бұ бақылау жағдайына «0», түймесін «coffee / hot water» болуы тиіс. Қызыл индикаторы. Жасыл жарық диоды жанады дейін күтіңіз.

2. Кем дегенде 135 градус бұ бақылау сағат бағытына қарсы бұраңыз. Батырмасы позицияға «1» «coffee /

hot water» ауысу, содан кейін және бу түтігінен ыстық су құйып.

Ескерту: Ыстық шашырандысынан қорғайтын күйіп қалмау үшін Кубогының қабырғаға жақын жұп үшін түтікті ұстаңыз.

БУДЫҢ КӨМЕГІМЕН СУСЫНДЫ ҚЫЗДЫРУ

(Көбік түзгішсіз) бу құбыр сияқты какао, шай су түтік ретінде сусындарды, қыздыру үшін пайдалануға болады.

Рәсімі:

1. Резервуарды “MAX” белгісінен аспайтындай етіп, резервуарды толтырыңыз.

2. Кофе қайнатқышты электр желісіне қосыңыз.

3. «ON/OFF» батырмасын “1” жағдайына айыстырыңыз, қызыл индикатор жанады.

4. «OFF» немесе «0» бу тұтқасын бұраңыз. Түймесін позицияға «1» «coffee / hot water» ауысу, сорғы су айдау бастайды. Су ағындары, тұндырғыш және алынбалы торды қайткенде де түсіріп, содан кейін-ақ құрғатып сүртіңіз.

Ескерту: Алкоголь және еріткіштерді қамтитын таза емес құрылғыны орындаңыз. Су немесе басқа сұйықтыққа батыруға болмайды.

3. Сағат тілінің бағытымен бұрау арқылы бункер бұрап кофе алып тастаңыз. Шұңқыр, жуғыш зат ерітіндісінде жуып, бірақ содан кейін таза сумен шайып алады.

4. Барлық алынбалы бөліктері құрғақ жақсылап жуылады.

ҚАҚТЫ КЕТІРУ

1. Кофе қайнатқыш және пісірілген дәмді кофе жұмыс істеді жасау үшін, ауыстыру түймесі «Бу», және батырмасы «coffee / hot water» - позицияға «1». Су сорғы ағып кезде, сорғыны (лауазымға «0» батырмасы «coffee / hot water») өшіру және кофе қайнатқыш қыза бастайды дейін күтеді.

5. Индикатор шамы жасыл болып жанады кезде, жылыту аяқталды. Сұйықтық 2 кесе құйып позиция «1» және жылы батырмасы «coffee / hot water» қосыңыз. Содан кейін сорғы (батырмасы «coffee / hot water» қалпында «0») және 5 секунд күтіңіз өшіру.

6. Позицияға «1» ауыстыру түймесі «Бу», жасыл жарық диоды жанғанша күтіңіз. 2 минут бойы бу өшірулі болсын, содан кейін «OFF» немесе «0» Бу тұтқасын бұраңыз. «0» түймесін басыңыз «Будың» қосыңыз. 15 минут кофе машинада тоспаны қалдырыңыз.

бірден сорғыны өшіру кезде («coffee / hot water» батырмасы үшін «0» күйіне), батырмасы ауыстырып қосу бірнеше секунд және кофе қайнатқыш және жасыл индикатор шамдары жылытып кейін «1», steam+switch».

5. Бұға арналған түтіктен көбіктүзгішті алып тастаңыз.

6. Сіз қыздырып келеді сусынға бу түтіктің батырыңыз. Бу баруға бастады, сондықтан баяу, бу тұтқасын сағат тіліне қарсы бұраңыз.

7. Сусын нағыз керекті температураға дейін қыздырылғанда, будың реттеуішін «OFF» немесе «0» жағдайына келтіріп бұраңыз.

8. «ON/OFF» батырмасын «0» келтіріп бұраңыз және құрылғыны электр желісінен суырып тастаңыз.

ТАЗАЛАУ ЖӘНЕ КҮТІМ

1. Электр құрылғысын ажыратыңыз тазаламас бұрын толығымен суытыңыз.

2. Дымқыл кофе тұрғын үй, сондай-ақ сығылған губканы, су ыдысын жуып, сіз әр 2-3 айда қақты алып тастау керек.

2. Белгісі «MAX» (қақты арналған нұсқаулықтарда көрсетілген 4 бөліктері су 1 бөлігі қақтан тазалау, Nemes үлесі) үшін қақтан тазалау су ерітіндісімен толтырыңыз. Сіз Тоспаны жасауға таңдай аласыз: 100 бөліктері су лимон қышқылы 3 бөліктерін қосыңыз.

3. Құрылғы үшін (кофесіз) алдын ала қыздыру тәртібін белгілеуге шұңқыр қорытындысы тор әрі бойынша Кубогы «алдын ала жылыту» суды қыздыру.

4. «ON / OFF» «1» батырмасын басыңыз ауысу, қызыл жанады. «0»

7. Құрылғыны қайталап қыстырыңыз да, 4-6 тармақтардағыны кем дегенде 3 мәрте қайталаңыз.

8. Содан кейін «1» «ON / OFF» түймесі ауысыңыз. Ол кофе машинада қалды дейін жасыл индикатор қосқыш түймесігі жағдайына «1» «кофе / ыстық су», және аруы кетіруге арналған кезде ерітіндіні білдіреді.

ТЕХНИКАЛЫҚ СИПАТТАМАЛАРЫ

Қуаттылығы:	850 Вт
Теңгерімді кернеуі:	220-240 В
Теңгерімді жиілігі:	50 Гц
Теңгерімді тоқ күші:	3.8 А
Нетто салмағы:	3,15 кг
Брутто салмағы:	4,30 кг

ЖИНАҚТАМАСЫ

КОФЕ ҚАЙНАТҚЫШ	1
КЕПІЛДІК ТАЛДОНЫ	
БАР НҰСҚАУЛЫҚ	1
ҚАПТАМАСЫ	1



ҚОРШАҒАН ОРТАНЫҢ ҚАУІПСІЗДІГІ. КӘДЕГЕ ЖАРАТУ.

Сіз қоршаған ортаның
қорғалуына көмектесе
аласыз!

Жергілікті қағидаларды сақтаңыз:
жұмыс істемей қалған құрылғыны
қалдықтарды кәдеге жарату тиісті
орталығына тапсырыңыз.

**Өндіруші бұйымдарының ди-
зайнына және техникалық
сипаттамаларына өзгерістер енгізу
құқын сақтап қалады.**



Saturn[®]

**МЕЖДУНАРОДНЫЕ ГАРАНТИЙНЫЕ
ОБЯЗАТЕЛЬСТВА**

**INTERNATIONAL
MANUFACTURER'S WARRANTY**

**МІЖНАРОДНІ ГАРАНТІЙНІ
ЗОБОВ'ЯЗАННЯ**

MEZINÁRODNÍ ZÁRUKA

INTERNATIONAL MANUFACTURER'S WARRANTY

The Warranty is provided for the period of 2 years or more if the Law on User Right of the country where the appliance was bought provides for a greater minimum warranty period.

All terms of warranty comply with to the Law on Protection of the Consumer Rights and are governed by the legislation of the country where the product was bought. The warranty and free of charge repair are provided in any country where the product is delivered to by Saturn Home Appliances or authorized representative thereof, and where no restriction of import or other legal provisions interfere with rendering of warranty services and free of charge repair.

Cases uncovered by the warranty and free of charge repair:

1. Guarantee coupon is filled in improperly.
2. The product has become inoperable because of the Buyer's nonobservance of the service regulations indicated in the instruction.
3. The product was used for professional, commercial or industrial purposes (except for the models, specially intended for this purpose that is indicated in the instruction).
4. The product has external mechanical damage or damage caused by penetration of the liquid inside, dust, insects and other foreign objects.
5. The product has damages caused by non-observance of the rules of power supply from batteries, mains or accumulators.
6. The product was exposed to opening, repair or modification of design by the persons, unauthorized to repair; independent cleaning of internal mechanisms etc. was made.
7. The product has natural wear of parts with limited service life, expendables etc.
8. The product has deposits of scale inside or outside of fire-bar elements, irrespective of used water quality.
9. The product has damages caused by effect of high (low) temperatures or fire on non-heat resistant parts of the product.
10. The product has damages of accessories and nozzles which are included into the complete set of product shipment (filters, grids, bags, flasks, cups, covers, knives, sealing rings, graters, disks, plates, tubes, hoses, brushes, and also power cords, headphone cords etc.).
11. A defect was a result of inappropriate installing of the appliance by non-specialists of the supplier's authorized service center.

Note: the product should be clean before handing over to the service center.

On the warranty service and repair, please contact the authorized service centers of "Saturn Home Appliances".

MEZINÁRODNÍ ZÁRUKA

Záruka se poskytuje na dobu 2 roky. V případě že Zákon na ochranu spotřebitele daně země nařizuje delší dobu, prodlužuje se záruka na tuto dobu.

Všecké záruční podmínky odpovídají Zákonu o ochraně práv uživatelů a jsou řízené zákonodárstvím státu, kde byl výrobek koupen. Záruka a bezplatná oprava se poskytují v každém státě, kam jsou výrobky dodané společností „Saturn Home Appliances“ nebo jejím zplnomocněným zástupcem a kde nejsou žádná omezení na dovoz nebo jiné právní předpisy omezující poskytnutí záručního servisu a bezplatné opravy.

Případy, na které se záruka a bezplatná oprava nevztahují

1. Záruční list je vyplněn nesprávně.
2. Výrobek byl poškozen kvůli tomu, že zákazník nesplnil pravidla použití, která jsou uvedena v návodu.
3. Výrobek byl používán k profesionálním, komerčním nebo průmyslovým účelům (kromě modelů speciálně určených pro tyto účely, což je uvedeno v návodu).
4. Výrobek má vnější mechanická poškození nebo poškození, vyvolaná tím, že se dovnitř dostala tekutina, prach, hmyz a jiné cizí předměty.
5. Výrobek má poškození, která jsou vyvolaná nesplněním pravidel napájení od baterií, sítě nebo akumulátorů.
6. Výrobek rozebírali, opravovali nebo měnili jeho konstrukci lidé, kteří nebyli zplnomocněni k opravě, bylo provedeno samostatné čištění vnitřních mechanismů a pod.
7. Výrobek má přirozené opotřebení dílů s omezenou dobou použití, spotřebních materiálů atd.
8. Výrobek má vrstvu usazeniny uvnitř nebo zvenku termoelektrických ohříváčů, bez ohledu na kvalitu používané vody.
9. Výrobek má poškození, která jsou vyvolaná působením vysokých (nízkých) teplot nebo ohně na termonestabilní části výrobku.
10. Výrobek má poškozené příslušenství a nástavce, které jsou dodané spolu s výrobkem (filtry, sítka, sáčky, baňky, mísy, víka, nože, šlehače, struhadla, kotouče, talíře, trubky, hadice, kartáče a také síťové šňůry, sluchátkové šňůry atd.).
11. Vada je důsledkem nesprávné instalace výrobku neoprávněnou osobou.

Poznámka: výrobek se musí dávat na opravu pouze v čisté podobě.

V otázkách záručního servisu a oprav se obračejte na autorizovaná servisní střediska společnosti „Saturn Home Appliances“.

МЕЖДУНАРОДНЫЕ ГАРАНТИЙНЫЕ ОБЯЗАТЕЛЬСТВА

Гарантия на изделие предоставляется на срок 2 года или более в случае, если Законом о защите прав потребителей страны, в которой было приобретено изделие, предусмотрен больший минимальный срок гарантии.

Все условия гарантии соответствуют Закону о защите прав потребителей и регулируются законодательством страны, в которой приобретено изделие. Гарантия и бесплатный ремонт предоставляются в любой стране, в которую изделие поставляется компанией «Saturn Home Appliances» или ее уполномоченным представителем, и где никакие ограничения по импорту или другие правовые положения не препятствуют предоставлению гарантийного обслуживания и бесплатного ремонта.

Случаи, на которые гарантия и бесплатный ремонт не распространяются:

1. Гарантийный талон заполнен неправильно.
2. Изделие вышло из строя из-за несоблюдения Покупателем правил эксплуатации, указанных в инструкции.
3. Изделие использовалось в профессиональных, коммерческих или промышленных целях (кроме специально предназначенных для того моделей, о чем указано в инструкции).
4. Изделие имеет внешние механические повреждения или повреждения, вызванные попаданием внутрь жидкости, пыли, насекомых и др. посторонних предметов.
5. Изделие имеет повреждения, вызванные несоблюдением правил питания от батарей, сети или аккумуляторов.
6. Изделие подвергалось вскрытию, ремонту или изменению конструкции лицами, не уполномоченными на ремонт; производилась самостоятельная чистка внутренних механизмов и т.д.
7. Изделие имеет естественный износ частей с ограниченным сроком службы, расходных материалов и т.д.
8. Изделие имеет отложение накипи внутри или снаружи ТЭНов, независимо от качества используемой воды.
9. Изделие имеет повреждения, вызванные воздействием высоких (низких) температур или огня на нетермостойкие части изделия.
10. Изделие имеет повреждения принадлежностей и насадок, входящих в комплект поставки изделия (фильтров, сеток, мешков, колб, чаш, крышек, ножей, венчиков, терок, дисков, тарелок, трубок, шлангов, щеток, а также сетевых шнуров, шнуров наушников и т.д.).
11. Дефект возник в результате некорректной установки изделия не специалистами уполномоченного сервисного центра поставщика.

Примечание: изделие сдается в ремонт исключительно в чистом виде.

По вопросам гарантийного обслуживания и ремонта обращайтесь в специализированные сервисные центры фирмы «Saturn Home Appliances».

Перечень сервисных центров постоянно меняется. Посмотреть актуальный перечень специализированных сервисных центров можно на сайте: <http://saturn.ua/ru/servis>, или узнать по телефону горячей линии:

0-800 505-27-09

Город, адрес	Название АСЦ	Телефон	МБТ	Сплит- системы	LCD	СМА	Мороз, лари
г. Азов, ул. Привокзальная, 4	«МИР СЕРВИСА»	8(988) 993-37-78	+		+	+	+
г. Альметьевск, ул. К. Цеткин, 18а	Сервисный Центр ИП Валиуллин М.Р.	8(8553) 32-22-11 8(960) 047-22-11	+	+	+	+	+
г. Апшеронск, Краснодарский край, ул. Ворошилова, 109	Абсолют-сервис	8(86152) 2-81-99	+	+	+	+	+
г. Архангельск, ул. Котласская, 1, кор. 1, офис 12	«ВЕГА-29»	8(8182) 44-15-55	+				
г. Астрахань, ул. Савушкина, 47	ООО ПКЦ «ВДВ»	8(8512) 25-19-39 8(8512) 25-12-00	+	+	+		
г. Астрахань, ул. Кирова, 54	«Радиомастерская»	8(8512)50-19-97	+		+		
г. Астрахань, ул. Максаковой, 16, 2 этаж, комн.77	СЦ «Ремонтная Бригада»	8(8512)54-67-67 8(8512)54-91-91		+		+	+
г. Ахтубинск, м-н Мелиораторов, 15	ООО «Ковчег»	8(85141) 3-61-25	+	+	+	+	+
г. Ахтубинск, ул. Волгоградская, д.8	«СКВ Сервис»	8(927) 565-11-56	+	+	+	+	+
г. Ахтубинск, ул. Панфилова, 32	Сервисный Центр ИП Комаров Николай	8(927) 552-47-21 8(937) 122-13-99				+	+
г. Ачинск, ул. Кирова, 4 А	СЦ «ВИД-Сервис»	8(39151) 5-90-94 8(983) 158-21-94	+			+	+
г. Барнаул, ул. Пролетарская, 113	ООО «Диод»	8(3852) 63-94-02	+		+	+	+
г. Барнаул, ул. Пролетарская, д.114	«Сибстайл»	8(3852) 20-25-52 8(3852) 69-60-09		+			+
г. Батайск, пер. Книжный, 9, кв.25	ИП Кулешов А.П.	8(905) 425-604-73	+	+	+		
г. Батайск, ул. Матросова, 37	Центральный Сервисный Центр	8(8635) 47-47-72 8(8635) 47-47-72	+	+	+	+	+
г. Белгород, ул. Железнодорожная, 79В, 2 этаж.	СЦ «Регион-Сервис»	8(980) 521-76-16	+				
г. Белореченск, ул. Мира, 63	ООО «Дело техники»	8(86155) 3-11-00 8(918) 980-64-75	+	+	+	+	+
г. Благовещенск, ул. Кузнечная, 63	СЦ «Radmond»	8(4162) 21-00-88 8(4162) 54-01-23	+				
г. Брянск, ул. Ульянова, 36	СЦ «Техномастер»	8(4832) 68-71-75	+	+	+	+	+
г. Брянск, проезд Московский, 3	ООО «Центр Климата»	8(4832) 63-06-00 8(4832) 33-15-61		+			
г. Бугуруслан, ул. Транспортная, 18	«Рембыттехника»	8(3535) 23-23-98 8(922) 802-21-58	+	+	+	+	+

г. Буденновск, ул. Октябрьская, 84	ИП Цивенов Д.С.	8(86559) 2-08-02 8(86559) 5-29-71	+	+	+	+	+
г. Буденновск, пер. Рабочий, 1	Арутюнян Гарник Гургенович	8(928) 92-00-497 8(86559) 2-07-17					+
г. Буйнакск, ул. Шамиля, 136/4	Техник-ise	8(964) 013-00-59	+	+	+	+	+
г. Владимир, ул. Батурина, 39	ООО «ДОМСЕРВИС»	8(4922) 44-72-80 8(4922) 44-72-81	+	+	+	+	+
г. Волгоград, ул. Елецкая, 173	ООО «МастерКласс»	8(8442) 97-50-10 8(960) 883-59-00		+			
г. Волгоград, ул. Томская, 4А	ИП Спицын С.В.	8(8442) 98-16-47 8(8442) 53-06-04	+	+	+	+	+
г. Волгоград, ул. М. Балонины, 11 Г	ООО «Спец-Холод»	8(8442) 37-16-74 8(8442) 37-69-03		+			
Волгоградская обл., Калачевский р-н, п. Береславка	Сервисный Центр «ТехноБыт»	8(961) 688-53-48		+			
Волгоградская обл., р.п. Быково, ул. Калинина, 9	Сервисный Центр ИП Рахимов Ренат	8(927) 521-52-00		+		+	+
Волгоградская обл., п. Елань, ул. Л. Толстого, 32	Сервисный Центр ИП Егоров Юрий	8(937) 722-68-12				+	+
Волгоградская обл., р.п. Октябрьский, ул. Кругликова, 158	Сервисный Центр ИП Макеев Юрий	8(937) 730-66-03		+		+	+
Волгоградская обл., г. Суrowикино	Сервисный Центр ИП Караичев Алексей	8(904) 404-14-55				+	+
г. Волгодонск, Ростовская обл., пр-т. Строителей, 12/15	СЦ «Master»	8(928) 126-63-66	+		+		
г. Волгодонск, ул. Ленина, 110	«Х МОБАЙЛ»	8(961) 41-001-71 8(918) 500-54-99	+	+	+	+	+
Вологодская обл., п. Рубцово, 1а	ООО «МИГ»	8(8172) 52-72-51	+		+		
г. Воронеж, ул. Б. Хмельницкого, 46	СЦ «ТЕХНО»	8(473) 260-09-08 8(473) 240-57-73	+		+	+	
г. Воронеж, ул. Рижская, д. 12-15	ООО «АМГ»	8(920) 436-08-52 8(960) 131-17-99		+			
г. Горно-Алтайск, пер. Жукова,13	СЦ «Викс»	8(38822) 6-23-32	+		+	+	+
г. Грозный, ул. Дадин Айбики, 48	«Арсгир»	8-962-655-20-00	+	+	+	+	+
г. Грозный, ул. Угольная, 308	ИП Лачиев Р. М.Ч	8-962-753-67-67	+				
Грозный, ул. Маяковского, 17 в	ООО «Алиф»	8(8712) 22-49-21 8(928) 001-33-03	+	+	+	+	+
г. Дзержинск, Нижегородская обл., ул. Чапаева, 68	Мастерская «СЕРВИС ПЛЮС»	8(8313) 21-14-14	+		+		
г. Дзержинск, пр. Циолковского, 54	СЦ «Кварц»	8(8313) 20-56-00	+	+	+	+	

г. Димитровград, ул. Октябрьская, 63	АСЦ «ЭлКом Сервис»	8(84235) 2-86-59 8(84235) 9-14-64	+		+	+	+
г. Ейск, ул. Пушкина, 84	АСЦ «Техносервис»	8(86132) 2-11-71 8(86132) 3-66-02	+	+	+	+	+
г. Ейск, ул. Маяковского, 55	СЦ «Гарант»	8(86132)5-05-00	+	+		+	+
г. Екатеринбург, ул. Походная, 81, офис 3	СЦ «Элитдетальсервис»	8(343) 361-11-77 8(343) 361-11-78	+		+	+	+
г. Екатеринбург, ул. Амундсена, 64	Мастерская «Ремонт бытовой техники и электроники»	8(343) 240-26-60	+		+		
г. Екатеринбург, ул. Кислородная, 7А, офис 201	Сервисный центр «GOLD»	8(919) 372-28-04		+			+
г. Екатеринбург, ул. Д. Зверева, 31, А, оф.2	СЦ «Мастер-Сервис»	8(343) 385-12-89	+	+	+	+	+
г. Елец, Липецкая обл., ул. Октябрьская, 47	ООО фирма «ПОЛЮС»	8(47467) 4-12-08 8(47467) 4-33-17	+		+		
г. Зерноград, ул. им. Косарева, 22	ИП Поддубный Л.Ю.	8(86359) 4-32-23 8(86359) 4-06-42		+			
г. Иваново, ул. Дзержинского, 45/6	ООО «Спектр- Сервис»	8(4932) 335185 8(4932) 335236	+	+	+	+	+
г. Изобильный, мк-н. «Радуга» №7 (рынок «Светлана»)	«Автоматика 26»	8(86545) 2-74-74		+			
г. Ижевск, ул. Азина, 4	ООО «АРГУС- Сервис»	8(3412) 30-79-79 8(3412) 30-83-07	+		+	+	+
г. Ижевск, ул. М. Горького, 76	ООО «АРГУС- Сервис»	8(3412) 78-76-85 8(3412) 78-06-64	+		+	+	+
г. Ижевск, ул. Буммашевская, 7/1, офис 301, 307	«Климат-Контроль»	8(3412) 44-60-40 8(3412) 44-60-67		+			
г. Йошкар-Ола, ул. Воинов Интернационалистов, 24а	СЦ «Акварин»	8(8362) 24-11-24 8(8362) 25-55-40	+	+	+	+	
г. Иркутск, ул. Академическая, 24	ООО «Мастер ТВ»	8(3952) 42-55-76 8(3952) 78-15-83	+		+	+	
г. Иркутск, ул. Сурнова, 56	СЦ «Комту»	8(3952) 28-74-50 8(3952) 76-71-75		+		+	+
г. Ишим, ул. Карасульская, 183	ООО «Домотехника- сервис»	8(34551) 7-46-31					+
г. Казань, ул. Гвардейская, 9А	АСЦ «VIP-SERVIS»	8(843) 258-92-15	+		+	+	
г. Казань, ул. Восстания, 100, кор. 45	Сервисный центр «Элнет»	8(843) 240-64-94	+	+	+	+	+
г. Калининград, Московский пр-т, д. 163	«1000 мелочей сервис»	8(4012) 58-83-54 8(4012) 76-04-77	+		+		
г. Каменск-Уральский, ул. Исетская, 336	Техноцентр-Сервис	8(3439) 39-95-20 8(34399) 34-74-40	+	+	+	+	+

г. Камышин, ул. Ленина, 6В	ООО СЦ «Альфа»	8(84457) 9-17-43 8(84457) 9-45-89	+	+	+	+	+
г. Карабулак, ул. Джабагиева, 157	ИП Хамхоев И.М.	8(8734) 44-42-44	+	+			+
г. Кемерово, пр. Октябрьский, 53/2	ВК-Сервис	8(3842) 35-39-67	+				+
г. Кизляр, пер. Рыбный 17	«Терек»	8(87239) 2-33-55 8(87239) 3-01-77	+	+	+	+	+
г. Киров, ул. Некрасова, 42	ООО «Экран- Сервис»	8(8332) 56-25-95 8(8332) 54-70-77	+			+	+
г. Константиновск, ул. Коммунистическая, 96 Б	«Эверест»	8(86393) 2-10-43		+			
г. Константиновск, Ростовская обл., пер. Студенческий, 9	Макаров-ЮГ	8(988) 548-24-36	+		+		
г. Кореновск, ул. Пурыхина, 2, кор. А	ИП Бондаренко А.В.	8(86142) 4-43-59	+	+	+	+	+
г. Кореновск, ул. Ярославская, 1	«Сервис Бытовой Техники»	8(918) 936-36-53		+			+
г. Краснодар, ул. Новороссийская, 3	«Абсолют-сервис	8(861) 267-50-88	+	+	+	+	+
г. Краснодар, ул. Академика Лукьяненко, 103, оф.55	«М-Сервис-Юг»	8(861) 222-64-13 8(861) 222-85-55 8(905) 408-08-38	+	+	+	+	+
г. Краснодар, ул. Воронежская, 16	ТЕХНОЛОГИИ КОМФОРТА	8(861) 235-49-68	+	+	+	+	+
г. Краснодар, ул. Белозерная, 1\1	«БАТ-СЕРВИС»	8(918) 102-00-10 8(961) 501-92-22	+	+	+	+	+
Краснодарский край, ст. Брюховецкая, ул. Энгельса, 106 Б	СЦ «Офисная Техника»	8(86156) 3-40-40 8(918) 990-35-04	+			+	+
Краснодарский край, ст. Каневская, ул. Свердликова, 116	ИП Галишников А.А.	8(86164) 7-01-22		+			
Краснодарский край, ст. Ленинградская, ул. Жлобы, 57 Г	ООО «Уманьбытсервис»	8(86145) 3-78-74		+			+
Краснодарский край, ст. Стародеревянковская, ул. Комсомольская, 25	ООО «ЭлитСервис»	8(86164) 65-4-95 8(918) 355-81-70	+	+			+
Краснодарский край, ст. Староминская, ул. Толстого, 1	ИП Галишников А.А.	8(86153) 4-16-70		+			
Краснодарский край, ст. Старощербиновская, ул. Шевченко, 242, кв. 1	ИП Притула И.В.	8(86 151) 4-10-92	+	+	+	+	+
г. Красноярск, ул. Дудинская, 6	ООО «Сибирский мастер»	8(3912) 92-92-22 8(3912) 41-78-88	+	+	+	+	+
г. Красноярск, ул. Дудинская, 1	СЦ «Электроальянс»	8(3912) 93-54-33 8(3912) 94-52-82	+	+	+	+	+

г. Курск, ул. Студенческая, 36-А, ул. Сумская, д. 37-Б	СЦ «Маяк+»	8(4712) 50-85-90 8(4712) 35-04-91	+	+	+	+		
г. Курск, ул. Садовая, 5	ООО «Первая Сервисная Компания»	8(4712) 51-45-75	+	+	+	+	+	
г. Курск, ул. Добролюбова, 17	ООО «Первая Сервисная Компания»	8(4712) 54-74-24	+	+	+	+	+	
г. Лабинск, Краснодарский край, ул. Турчанинова, 2	ООО «БЫТСЕРВИС»	8(86169) 7-39-99 8(86169) 7-24-96	+	+	+	+	+	
г. Липецк, ул. Космонавтов, 66	ООО «Владон»	8(4742) 33-45-65 8(4742) 33-45-95	+	+	+	+	+	
г. Майкоп, ул. Димитрова, 25	ООО «Электрон-Сервис»	8(8772) 55-62-38		+				+
г. Махачкала, ул. М. Гаджиева, 164	Сервисный центр «РОСАМ»	8(8722) 93-30-73	+	+	+	+	+	+
г. Махачкала, пр-кт Акушинского 14-линия, 21	«Техник-ise»	8(8722) 63-23-94 8(8722) 93-55-15	+	+	+	+	+	+
г. Миллерово, Ростовская обл., ул. Калинина, 11	СЦ «Мастер Плюс»	8(86385) 2-33-26 8(960) 458-07-11	+	+			+	+
г. Морозовск, ул. Советская, 9 А	«Х МОБАЙЛ»	8(909) 401-35-21	+	+	+	+	+	+
г. Москва, б-р Маршала Рокоссовского, 3 (м.ул. Подбельского)	Технический Центр «Юник»	8(495) 721-30-70 8(499) 168-05-19 8(499) 168-47-15	+		+		+	+
г. Набережные Челны, ул. Вахитова, 20 (30/05)	Сервисный Центр «ТриО»	8(8552) 359002 8(8522) 359042	+	+	+	+	+	+
г. Набережные Челны, пр-т. Московский, 154 (52/28)	АСЦ «VIP-SERVIS»	8(8552) 99-91-45	+	+	+	+	+	+
г. Нальчик, пр-т. Ленина, 24	ООО «Алфа-Сервис»	8(8662) 42-04-30 8(8662) 42-12-21	+		+		+	
г. Невинномысск, ул. Гагарина, 55	СЦ «ЭДВИС»	8(86554) 5-59-77 8(86554) 3-67-57	+	+	+	+	+	+
г. Нефтекамск, ул. Победы, 10А	АСЦ «Техно-Мастер»	8(34783) 3-43-44	+	+	+	+	+	+
г. Нижнекамск, ул. Кайманова, 9 (маг. «Ак Калфак»)	«Техника»	8(8555) 48-08-80 8(917) 906-60-06	+		+		+	+
г. Нижний Новгород, ул. Марата, 51	ООО «Прок-Сервис»	8 (831) 220-84-94 8 (831) 413-82-91	+		+			
г. Нижний Новгород, ул. Ларина, 18А	ООО «Бытовая Автоматика-Сервис»	8(831) 46-18-848		+				+
г. Нижний Новгород, ул. Коновалова, 6		8(831) 46-18-848		+				+
г. Новокузнецк, Кемеровская обл., ул. Грдины, 18	ООО «Сибсервис»	8(3843) 20-31-33	+		+		+	+

г. Новомосковск, ул. Московская, 21/27	ООО «ЕСКО»	8(48762) 6-46-46	+	+	+	+	+
г. Новороссийск, ул. Серова, 14	ООО «АРГОН- СЕРВИС»	8(8617) 63-11-15 8(8617) 63-03-95	+		+	+	
г. Новосибирск, ул. Королёва, 17А	ООО «К-техника»	8(383)274-99-33 8(383) 274-99-45	+		+		
г. Новосибирск, ул. Воинская, 63, кор. 3	ООО «Керамика»	8(383) 210-59-49 8(383) 210-52-92	+		+	+	
г. Новосибирск, ул. Котовского, 2	«Сервис Центр»	8(383) 351-39-19	+		+		
г. Новошахтинск, пл. Базарная, 24А	«ЭлектроМир	8(86369) 3-74-75 8(928) 609-35-85	+	+	+		
г. Оренбург, ул. Космическая, 4	ИП Бабина Т.В.	8(3532) 36-87-94	+			+	+
г. Омск, ул. 5-я Кордная, 1	АСЦ «Вес-Трэйд»	8(3812) 577-092 8(3812) 576-329	+		+		
г. Омск, ул. Лермонтова, 194	ООО «Домотехника- сервис»	8(3812) 36-74-01					+
г. Омск, ул. Б. Хмельницкого, 130	«Гарантийная мастерская»	8(3812) 36-42-02	+	+	+	+	
г. Орск, ул. Батумская, 25	«Айс-Сервис+»	8(3537) 37-23-83	+	+	+	+	+
г. Орск, пр. Ленина, 11	ООО «Гранд- Сервис»	8(3537) 35-79-93 8(3537) 20-60-70	+	+	+	+	+
г. Орск, ул. Грозненская, 11-А	ООО «Гранд- Сервис»	8(3537) 35-79-93 8(987) 796-00-19	+	+	+	+	+
г. Пермь, ул. Деревообделочная, 3, кор. Б	ООО «СК-Сервис»	8(342) 221-40-99	+	+	+	+	+
г. Пермь, ул. Маршрутная, 19, кор. 1	СЦ «Энерго-климат»	8(342) 240-88-88 8(342) 205-57-88	+	+	+	+	+
г. Пермь, ул. Маршрутная, 11	СЦ «Энергоклимат»	8(342) 240-93-35 8(342) 240-93-24			+		
г. Петрозаводск, ул. Северная, 11	«Алкор-Сервис»	8(8142) 78-06-93 8(8142) 70-65-48	+		+		
г. Прокопьевск, ул. Обручева, 39-5	ИП Сюткин В.В.	8(3846) 69-33-00	+	+	+	+	+
г. Псков, ул. Труда, 11	ООО «Ремонт и Сервис»	8 (8112)-53-86-30 8 (8112)-53-86-50	+		+		+
г. Пятигорск, ул. 5-ый Переулок, 13	Сервисный Центр	8(8793) 98-70-11 8-918-743-69-46	+	+	+	+	+
г. Россошь, Воронежская обл., ул. Малиновского, 50-Е	Региональная Сервисная Компания	8(47396) 48-911	+	+	+	+	+
г. Россошь, Воронежская обл., ул. Простеева 18 стр.1	Региональная Сервисная Компания	8(47396) 47-676	+	+	+	+	+
г. Ростов-на-Дону, ул. Евдокимова, 37 В	ООО «Максим- Сервис»	8(863) 250-47-77	+		+		
г. Ростов-на-Дону, пр. Шолохова, 7	«Алиса-Сервис»	8(863) 227-60-90 8(863) 299-00-50	+	+	+	+	+

г. Ростов-на-Дону ул. 50-летия Ростсельмаша, 1/52, офис 55	ООО «Мастер»	8(863) 21-92-112 8(800) 100-51-52	+	+	+	+	+
Ростовская обл., ст. Багаевская, ул. Трюта, 11-А/17-А	ИП Иванов А.П.	8(906) 453-35-81	+	+			
Ростовская обл., ст. Егорлыкская, ул. Ворошилова, 14	«Всё Для Дома»	8(86370) 2-19-50	+	+	+	+	+
г. Рыбинск, Ярославская обл., ул. Свободы 12	Сервисная служба «ТЕХНОСЕРВИС»	8(4855) 22-04-77 8(4855) 25-38-60	+	+	+	+	+
г. Рыбинск, Ярославская обл., ул. Моторостроителей, 21	Сервисная служба «ТЕХНОСЕРВИС»	8(4855) 24-31-21	+	+	+	+	+
г. Рязань, ул. Пушкина, 14, кор. 1	ООО «Гарант-Климат»	8(4912) 76-88-01 8(4912) 40-30-30	+	+	+	+	+
г. Рязань, ул. Касимовское шоссе, 42-А	ООО «Гарант-Климат»	8(4912) 41-33-02	+	+	+	+	+
г. Самара, ул. Ленинградская, 100/ ул. Ленинская, 56	ООО «Спец-Мастер»	8(846) 990-37-51 8(846) 240-98-17	+	+	+	+	+
г. Самара, ул. Свободы, 149	ООО «СК-Сервис-Самара»	(846) 979-9-979	+	+	+	+	+
г. Санкт-Петербург, пр. Обуховской обороны, 197	ООО «Евросервис XXI»	8(812) 600-11-97	+	+	+	+	
г. Санкт-Петербург, пр. Стачек, 41- А	ООО «Прогресс-Сервис»	8(812) 325-36-56 8(812) 325-36-57	+		+	+	
г. Санкт-Петербург, ул. Магнитогорская, 11, 36-Н, лит. И	ООО «БИТ-95»	8(812) 822-18-00 8(812) 320-06-61	+				
г. Саранск, ул. Садовая, 1	ООО «ТЕСТ-СЕРВИС»	8(8342) 23-05-91 8(8342) 47-48-59	+	+	+		
г. Саратов, ул. Большая Садовая, 95	ООО «ТРАНССЕРВИС-Саратов»	8(8452) 52-81-21 8(8452) 52-83-84	+	+	+	+	+
г. Сергиев Посад, пр-т. Красной Армии, 253-А	СП «Городская Служба Бытового Сервиса»	8(496) 547-04-95 8(496) 549-32-79	+	+		+	+
г. Серпухов, ул. Советская, 47	БЮРО РЕМОНТА «АЛЬФА-S»	8(963) 624-49-46			+	+	+
г. Смоленск, ул. Крупской, 44	ЦС «АТЛАНТ»	8(4812) 45-05-13 8(920) 333-09-44	+	+	+	+	+
г. Сочи, ул. Донская, 90	ООО «ДЭЛ»	8(8622) 55-51-19 8(8622) 55-01-08	+			+	+
г. Ставрополь, ул. Пушкина, 63	ООО «Унисервис»	8(8652) 24-30-14 8(8652) 23-31-81	+	+	+	+	+
г. Ставрополь, пр. Кулакова, 15-Е, оф. 21	«Мир Климата»	8(8652) 95-53-68 8(8652) 95-61-90		+			
г. Ставрополь, пр. Буйнакского, 3/4	«Империя Климата»	8(8652) 44-88-66		+			

г. Старый Оскол, Белгородская обл., м-н. Лебединец, 1а	ЗАО «АВАНТАЖ- ИНФОРМ»	8(4725) 24-62-27 8(4725) 24-73-49	+	+	+			
г. Стерлитамак, Республика Башкортостан, ул. Худайбердина, 158	ООО «Сервис- Технос»	8(3473) 20-12-13 8(3473) 20-27-70	+		+	+	+	
г. Сыктывкар, Респуб. Коми, ул. Гаражная, 25	«ТехСервис»	8(8212) 22-95-29 8(8212) 29-12-20	+	+	+	+	+	
г. Тамбов, ул. Мичуринская, 137-А	ООО «БВС-2000»	8(4752) 56-19-42 8(4752) 56-19-44	+	+	+	+	+	
г. Тверь, б-р. Шмидта, 18	СЦ «СПЕКТР»	8(4822) 47-65-65 8(4822) 47-58-58	+	+	+	+	+	
г. Тимашевск, Краснодарский кр., ул. Ленина, 24/2	Сервис бытовой техники	8(86130) 4-86-59 8(918)147-02-03	+	+			+	+
г. Тихорецк, ул. Гоголя, 2/2	АСЦ «БЫТ-СЕРВИС»	8(86196) 7-20-53	+	+	+	+	+	
г. Тольятти, ул. Мира, 48	ООО «Волга Техника+»	8(8482) 22-72-41 8(8482) 22-71-85 8(8482) 61-65-64	+	+	+	+	+	
г. Тула, пр. Ленина, 115 Б	ООО «Виксам»	8(910) 949-68-44 8(953) 182-61-82	+	+	+	+	+	
г. Тюмень, ул. Республики, 169/5	СЦ «Пульсар»	8(3452) 75-95-08 8(3452) 20-82-65	+			+	+	
г. Тюмень, ул. Николая Зелинского, 24	СЦ «КАНИФОЛЬ»	8(9292) 69-56-60; 60-56-60- городск.	+	+	+	+	+	
г. Тюмень, ул. Ватутина, 55	Сервисный Центр «Ваш Дом»	8(3452) 47-35-69	+			+	+	+
г. Улан-Удэ, ул. Ербанова, 28	СЦ «Мастер»	8(3012) 21-89-63	+			+	+	+
г. Ульяновск, ул. Metallистов, д.16/7	АСЦ «Современный сервис»	8(8422) 73-44-22 8(8422) 73-29-19	+	+			+	+
г. Уфа, ул. Академика Королева, 6/1	ООО «Бирюса- сервис»	8(347) 236-57-07	+			+		
г. Уфа, пр-т. Салавата Юлаева, 59	«Импорт-сервис»	(347) 2281701	+			+	+	+
г. Уфа, ул. Мира, 7; ул. Менделеева, 153; пр. Октября, 42	СЦ «Дженерал»	8(347) 279-90-70 8(347) 241-62-02						+
г. Хасавюрт, ул. Махачкалинская, 70-А	«Техник-ise»	8(928) 048-93-10	+	+	+	+	+	+
г. Цимлянск, Ростовская обл., ул. Социалистическая, 15-А	«Телерадиотовары»	8(86391) 2-18-06	+			+		
г. Чебоксары, ул. Гагарина, 36	ЗАО «Телерадиосервис»	8(8352) 62-30-97 8(4942) 63-20-98	+			+		
г. Челябинск, ул. Производственная, 8Б	Рембыттехника	8(351) 239-39-34 8(351) 239-39-35	+	+	+	+	+	+
г. Челябинск, ул. Ворошилова, 57 В, оф. 3	ООО РСЦ «Подобус»	8(351) 225-13-13 8(351) 236-12-40	+			+	+	+

г. Черкесск, пр. Ленина, 340-В	АСЦ «ЮГ-СЕРВИС»	8(8782) 27-30-60 8(8782) 27-70-77	+	+	+	+	+
г. Черкесск, ул. Первомайская, 48, оф. 11	АСЦ «Мак.Сим. »	8(8782) 25-04-66 8(8782) 25-19-15	+	+	+	+	+
г. Черкесск, Пятигорское шоссе, 13	СЦ «КАВКАЗ- СЕРВИС»	8(8782) 23-91-26 8(928) 385-22-42	+	+	+	+	+
г. Чита, ул. Токмакова, 33	«Центрбытсервис»	8(3022) 36-39-36 8(3022) 36-39-32	+	+	+	+	+
г. Шахты, Ростовская обл., ул. Садовая, 1	ТехноСервис	8(904) 345-83-18	+	+	+	+	+
г. Элиста, 3-й микрорайон, 21-А	«СКВ Сервис»	8(84722) 9-52-07 8(937) 469-52-07	+	+	+	+	+
г. Энгельс, ул. Петровская, 57	«Ремонт-сервис»	8(8453) 55-80-89 8(964) 848-45-06	+		+	+	+
г. Ярославль, ул. Угличская, 12	ООО «Трио-Сервис»	8(4852) 25-94-83	+		+		

МІЖНАРОДНІ ГАРАНТІЙНІ ЗОБОВ'ЯЗАННЯ

Гарантія на виріб надається на термін 2 роки чи більше у випадку, якщо Законом про захист прав споживачів країни, в якій був придбаний виріб, передбачений більший мінімальний термін гарантії.

Всі умови гарантії відповідають Закону про захист прав споживачів і регулюються законодавством країни, у якій придбано виріб.

Гарантія і безкоштовний ремонт надаються в будь-якій країні, у яку виріб постачається компанією «Saturn Home Appliances» чи її уповноваженим представником, і де ніякі обмеження по імпорту чи інші правові положення не перешкоджають наданню гарантійного обслуговування і безкоштовного ремонту.

Випадки, на які гарантія і безкоштовний ремонт не поширюються:

1. Гарантійний талон заповнений неправильно.
2. Виріб вийшов з ладу через недотримання Покупцем правил експлуатації, зазначених в інструкції.
3. Виріб використовувався в професійних, комерційних чи промислових цілях (крім спеціально призначених для цих моделей, про що зазначене в інструкції).
4. Виріб має зовнішні механічні чи uszkodження, викликані влученням всередину рідини, пилу, комах і інших сторонніх предметів.
5. Виріб має uszkodження, викликані недотриманням правил живлення від батарей, мережі чи акумуляторів.
6. Виріб піддавався розкриттю, ремонту чи зміні конструкції особами, не уповноваженими на ремонт; проводилося самостійне чищення внутрішніх механізмів тощо.
7. Виріб має природний знос частин з обмеженим терміном служби, витратних матеріалів і т. д.
8. Виріб має відкладення накипу всередині чи зовні ТЕНів, незалежно від якості використовуваної води.
9. Виріб має uszkodження, чи uszkodження, які викликані впливом високих (низьких) температур чи вогню на нетермостійкі частини виробу.
10. Виріб має uszkodження приладдя і насадок, що входять у комплект постачання виробу (фільтрів, сіток, мішків, колб, чаш, кришок, ножів, вінчиків, терок, дисків, тарілок, трубок, шлангів, щіток, а також мережних шнурів, шнурів навушників тощо).
11. Дефект виник внаслідок некоректного встановлення виробу не спеціалістами уповноваженого сервісного центру постачальника.

Примітка: виріб здається в ремонт виключно в чистому вигляді.

З питань гарантійного обслуговування і ремонту звертайтеся до спеціалізованих сервісних центрів фірми «Saturn Home Appliances».

Перелік сервісних центрів постійно змінюється. Переглянути актуальний перелік спеціалізованих сервісних центрів можна на сайті: <http://saturn.ua>, або дізнатися за телефоном гарячої лінії: 0-800 502-502

Місто, Адреса АСЦ	Назва АСЦ	№ телефона							
			Аудіо-Відео техніка (АВ)	Мала побутова техніка (МПП)	Велика побутова техніка (ВПП)	Кондиціонери	Холодильники, даді	Газові танки	IT-техніка
Алчевськ, вул. Гагаріна, 36	Hi-Fi (Кіслов)	(06442) 9-11-37 (099) 052-10-01	+	+	+	+	+	+	+
Біла Церква, бул. Олександрійський (50- років Перемоги), 82	Маяк-сервіс (ФОП Паппа Ю.К.)	(04563) 6-84-13	+	+	+	+	+	+	+
Бердичів, вул. Житомирська, 57	Євросервіс	(04143) 4-06-36	+	+	+	-	+	+	+
Берегове, вул. І. Франка 43	ФОП Пруніца	(03141) 4-34-32	+	+	+	-	-	+	+
Вінниця, вул. Енергетична, 3а	ВФ ТОВ Лотос	(0432) 69-95-73, (067) 622-56-62	+	+	+	+	+	+	+
Вінниця, пров. Костя Широцького, 3а	Базелюк	(0432) 64-24-57 (0432) 64-26-22	-	+	+	-	-	-	-
Вінниця, вул. Космонавтів, 53	ФОП Призюк	(0432)-523509, 465590	+	+	+	+	+	+	+
Вінниця, пр-т. Юності, 16	Скормаг- Сервіс	(0432) 46-43-93 (0432) 46-82-13 (0432) 51-92-54 (067)-4304472	+	+	+	+	+	+	+
Дніпро, пр. Олександра Поля (Кірова), 59	ТОВ Лотос	(0562)-346705, (0562)-312957	+	+	+	+	+	+	+
Дніпро, вул. Олеся Гончара, 6	Дінек-сервіс	(056) 735-63-28 (056) 735-63-25	+	+	+	-	-	+	+
Дніпро, вул. Коротка, 41-А, р-н Індустріальний	АСЦ Універсалсервіс	(056) 790-04-60	+	+	+	+	+	+	+
Донецьк, вул. Університетська, 75	IQ Service	(050) 940-00-61, (063) 940-00-61, (062) 213-00-61	+	+	+	+	+	+	+
Житомир, вул. Львівська 11	СЦ Коваль (Євросервіс)	(0412) 555-515, (093) 461-95-96	+	+	+	+	+	+	+
Житомир, вул. Львівська, 8	Тандем-Сервіс	(0412) 471568, (067) 4115812	+	+	+	-	-	+	+
Житомир, вул. Комерційна, 4, офіс 222	Мельник	(0412) 482425, (067) 4102198	+	+	+	-	-	+	+
Житомир, вул. Новий бульвар, 7	Техносервіс Сфера	(0412) 445-100, (096) 908-77-95	+	+	+	+	+	+	+
Запоріжжя, вул. Гоголя, 175	ЗФ ТОВ Лотос	(061) 787-50-51	+	+	+	+	+	+	+
Запоріжжя, вул. Грязнова, 67	ПП Електротехніка	(0612) 12-03-03 2120068	+	+	+	+	+	+	+
Запоріжжя, вул. Жаботинського, 50	"Ремпобутсервіс" (ФОП Калашник Г.В.)	(0612) 12-54-90, (0612) 20-03-22, (0612) 20-97-64,	+	+	+	+	+	+	-

		(0612) 20-97-65, (067) 631-10-81								
Івано-Франківськ, вул. Нова, 19-А	Бріз ЛТД	(0342) 55-95-25 (0342) 75-07-77	+	+	+	+	+	+	+	+
Канів, вул. Енергетиків (Леніна), 179	М-Н Сатурн	(067) 490-54-04	+	+	+	+	+	+	+	+
Київ, вул. Бориспільська 9, корп 57	Аматі-Сервіс	(044) 369-50-01	+	+	+	-	+	+	+	+
Київ, вул. Новокопостянтинівська, 1-Б	ПП Михайленко О.А.	(044) 591-11-90	+	+	+	+	+	+	+	+
Кропивницький (Кіровоград), вул. Короленко,2	ЛОТОС	(0522) 35-79-23 (0522) 27-80-02 (0522) 27-33-00	+	+	+	+	+	+	+	+
Кропивницький (Кіровоград), вул. Чорновола, 1-В	Європобуттех (ПП Денисенко)	(0522) 27-28-40 (0522) 27-76-67	+	+	+	+	+	+	+	+
Коломия, вул. Привокзальна, 13	Бріз ЛТД	(097) 776-67-70 (097) 264-21-67	+	+	+	+	+	+	+	+
Костянтинівка, вул. Безнощенко, 10	ФОП Гусев В.О.	(06272) 2-62-23 (06272) 2-21-86 (050) 279-68-16	+	+	+	-	-	+	+	+
Коростень, вул. Жори Кудаківа, 2-В	ПП Муравицькі	(04142) 5-05-04	+	+	+	+	+	+	+	+
Подільськ (Котовськ) Котовськ, вул. Соборна, 192-Б	ТОВ Схід Сервіс Центр	(04862) 22-9-22 (050) 333-86-39	+	+	+	+	+	+	+	+
Краматорськ, вул. Шкільна, 7	Технолюкс СЦ	(050) 526-06-68	+	+	+	+	+	+	+	+
Краматорськ, б-р. Краматорський, 3	Елма Сервіс	(06264) 5-93-89 (06264) 8-85-97	+	+	+	+	+	+	+	+
Краматорськ, вул. Ринкова, 20	Сатурн-Донбас	(050) 973-20-14	+	+	+	-	-	+	+	+
Краматорськ, вул. Поштова, 5-А	Сатурн- Краматорськ	(0626) 41-21-34 (067) 255-79-90	+	+	+	+	+	+	+	+
Краматорськ, ул. Ярослава Мудрого (19 Партз'їзду) 67	Крам сервіс	(050) 473-56-12	+	+	+	+	+	+	+	+
Кременчук, вул. Академіка М'аслова (Радянська) , 44, офіс 2	ФОП Дашко І.В.	(05366)-39192, (096)-446-7106, (066)-2304471	+	+	+	+	+	+	+	+
Кривий Ріг, вул. Соборності (Косіора), 64/7	КРФ ТОВ Лотос	(056) 440-07-79 (056) 440-01-19	+	+	+	+	+	+	+	+
Куп'янськ, пл. Центральна, 38-А	ФОП Щербак О.В.	(099) 2237998	+	+	+	+	+	+	+	+
Луцьк, вул. Ківерцівська	"Склад-магазин Сатурн" (ФОП Соловійов Р.Є.)	(0332) 290-752	+	+	+	+	+	+	+	+
Луцьк, вул. Перемоги, 24	ПП СЦ Сервіс- Майстер	(0332) 78-56-24, (0332) 78-56-25	+	+	+	+	+	+	+	+

Львів, вул. Шараневича, 28	Росімпекс	(032) 239-51-52 (032) 239-55-77	+	+	+	-	+	+	+
Львів, вул. Червоної калини, 106	Захід холод сервіс	(032) 222-87-10 (032) 344-72-24	+	+	+	+	+	+	+
Макіївка, вул. Тайожна, 1К	Скіф АСЦ	(0623) 41-37-58	+	+	+	+	+	+	+
Маріуполь, бул. Меотиди (50-років Жовтня), 32/18	Марф ТОВ Лотос	(0629) 49-60-05 (0629) 49-30-06	+	+	+	+	+	+	+
Маріуполь, пр-т. Металургів, 227	СЦ Реалсервіс	(098) 312-26-28 (095) 028-26-28	+	+	+	+	+	+	+
Маріуполь, пр-т. Будівельників, 84	Глобалтек	(0629) 49-18-81 (067) 597-56-15	+	+	+	+	+	+	+
Мелітополь, вул. Гетьмана Сагайдачного (Фрунзе), 42	АСЦ Компроміс	(0619) 44-44-00 (067) 858-83-21	+	+	+	+	+	+	+
Могилів-Подільський, вул. Покровська, 51-А	Скормаг-Сервіс	(04337) 6-48-47 (0432) 46-82-13	+	+	+	+	+	+	+
Мукачеве, вул. Пушкіна, 24/1а	Сигнал	(03131)-5-60-96, (099) 262-11-18	+	+	+	-	-	+	+
Миколаїв, вул. Чкалова, 33	ТСЦ Аладін	(0512) 47-04-96 (0512) 47-83-48	+	+	+	+	+	+	+
Миколаїв, Внутрішньоквартальний проїзд, 2	НФ ТОВ Лотос	(0512) 58-06-47 (0512) 58-06-46	-	+	+	+	+	+	+
Миколаїв, вул. Озерна, 17Б	АСЦ ТОВ фірма "Аладдин"	(0512) 58-21-80 (067) 517-05-70 (066) 705-64-44	-	+	+	+	+	+	+
Миколаїв, вул. Севастопольська, 65/3	ТОВ УТК Веда	(0512) 464-2-43, 464-0-53, 465-5- 59	-	-	-	+	+	+	+
Нікополь, вул. Електрометалургів, 54	Лікс	(066) 463-60-44	+	+	+	+	+	+	+
Нікополь, Вул. Шевченко, 189	(0566) 688-563, (050) 58-00-296	Рейнфорд АСЦ	+	+	+	+	+	+	+
Нова Каховка, вул. Заводська, 38	Стародубець А.В.	(095) 724-72-66 (067) 117-48-06	+	+	+	-	-	+	+
Новоград-Волинський, вул. Вокзальна, 38	СПД Кожедуб О.С	(04141) 5-20-10	+	+	+	+	+	+	+
Новомосковськ, вул. Сучкова, 54	ТОВ Лотос	(05693) 7-57-96	+	+	+	+	+	+	+
Одеса, вул. Щоголева, 14	ТОВ Схід Сервіс Центр	(0482) 32-00-05	+	+	+	+	+	+	+
Одеса, вул. Б. Хмельницького, 55	ПП Кушнір	(0482) 39-06-18 (094) 839-06-18	+	+	+	-	-	-	+
Одеса, вул. Л. Шмідта, 21	ТОВ Схід Сервіс Центр	(0482) 32-00-05	+	+	+	+	+	+	+
Одеса, вул. Новосельського, 66 (Тобольського, 2)	Ремус	(048) 731-77-03 (048) 731-77-04	+	+	+	-	-	+	+

Павлоград, вул. Дніпровська, 172-Б	АСЦ Інтерсервіс	(05632) 6-15-54, (066) 95-09-132, (067) 63-08-242	+	+	+	+	+	+	+
Пологи, вул. (Державна) Пролетарська, 75	Дивосервіс	(096) 284-08-36 (066) 085-75-39	+	+	+	-	+	+	+
Полтава, вул. Степного Фронту, 29	ПФ ТОВ Лотос	(0532) 69-42-62 (099) 60-14-24, (067) 63-06-023	+	+	+	-	+	+	+
Полтава, вул. Європейська, 66	НВТОВ "Пром-електроніка"	(0532) 61-56-21	+	+	+	+	+	+	+
Полтава, вул. Зеньківська, 21	Аматі-Сервіс	(0532) 69-09-46	+	+	+	+	+	+	+
Прилуки, (вул. Ветеранська) вул. Борців Революції, 101/1	ЧП Костюченко	(04637) 3-85-95 (095) 886-21-99 (063) 597-41-27 (067) 272-57-51	+	+	+	+	+	+	+
Прилуки, вул. Київська 371-А	Аматі-Сервіс	(04637) 5-39-82	+	+	+	+	+	-	-
Рівне, вул. Тиха,12	Електроніка-сервіс	(0362) 26-65-85	+	+	+	+	+	+	+
Рівне, пров. Робочий, 5	Рубікон	(0362) 43-33-40 (067) 360-42-42	-	-	+	+	+	-	-
Стрий, вул. Шевченка, 171-Б\10	КП "Телерадіо-сервіс"	(03245) 5-83-81	+	+	+	+	+	+	+
Суми, вул. Білопольське шосе, 19	ПП Панченко	(096) 340-06-96	+	+	+	-	-	+	+
Суми, вул. Петропавлівська 86/1	СЦ Ельф	(0542) 660-300, 650-340, 655-510	+	+	+	+	+	+	+
Тернопіль, вул. Чалдаєва,2	АСЦ Сем (Самуляк)	(067) 357-63-78 (050) 512-48-87	+	+	+	+	+	+	+
Умань, вул. Успенська (Ленінської іскри) 1/24	Електро-сервіс	(04744) 4-66-14 (04744) 4-61-34	+	+	+	-	-	+	+
Ужгород, вул. Легоцького, 3, корпус 2	Ремонт домашньої техніки АСЦ	(0312) 65-42-66 (099) 557-53-07	+	+	+	+	+	+	+
Харків, вул. Полтавський шлях, 3	ПП «Тевяшов»	(057) 734-97-24 (057) 712-51-81	+	+	+	+	-	+	+
Харків, вул. Бакуліна, 12	ФОП Горбенко А.І.	(057) 717-13-39 (057) 702-16-20	+	+	+	-	-	+	+
Харків, вул. Фонвізіна, 18, (Кашена-Марсея, 42 А)	ПП Саванов	(096) 595-37-46	+	+	+	-	-	+	+
Херсон, вул. Соборна (Леніна), 35	ПП Командин	(0552) 42-02-35	-	-	-	+	-	-	-
Херсон, пр. 200 років Херсона, 9	ХФ ТОВ Лотос	(0552) 43-40-40 (050) 494-60-43	+	+	+	+	+	+	+
Херсон, вул. Димитрова, 23	ТТЦ Електроніка (ФОП Токар Ю.І.)	(0552) 29-60-42	+	+	+	-	-	+	+
Хмельницький, вул. Молодіжна, 7	Орбіта-Ікстал	(0382) 66-45-01 (063) 075-08-89	+	+	+	+	+	+	+

Хмельницький , вул. Молодіжна, 8	Радіодонор АСЦ	(0382) 70-47-00 (0382) 70-47-07 (03822) 66-46-16	+	+	+	+	+	+	+
Хмельницький, вул. Курчатова, 18	Тритон	(0382) 78-37-73 (0382) 78-37-55	+	+	+	+	+	+	+
Черкаси, вул. Громова, 146, офіс 102	Техно-холод	(0472) 56-34-78 (0472) 50-03-54 (0472) 56-42-16 (096) 505-63-63	+	+	+	+	+	+	+
Чернівці, вул. 77-ї Гвардійської дивізії, 1	ТОВ Вена	(0462)-601585	+	+	+	+	+	+	+
Чернівці, вул. Лук'яна Кобилиці, 76	ФОП Блошко Є.І.	(0372) 55-48-69 (050) 434-55-29	+	+	+	+	+	+	+
Чернівці, вул. Головна, 265/А	СЦ ЧП Гринчук	(0372) 58-43-01	+	+	+	+	+	+	+
Шепетівка, вул. Некрасова, 3	Рубікон	(03840) 4-00-17 (067) 360-16-32	+	+	+	-	-	+	+

KZ

Город	Юр лицо	Название СЦ	Адрес СЦ	Телефон СЦ
Алматы	ТОО Classic Service	Classic Service	Щепкина ул., 35А	(7273) 09-75-15
Астана	ИП Видякин	Жана Жұлдыз	Богенбая пр., 23/1, оф.16	(7172) 30-56-66
Караганда	ИП Левин	Прогресс	мкр. Гульдер, 1-1	(7212) 33-18-21
Кокшетау	ПК Промавто- матика	Промавто- матика	Северная ул., 33	(7162) 25-49-72
Талдыкорган	ИП «MEGA- сервис»	MEGACервис	Алдаберге- нова ул., 149	(7282) 390839
Актобе	ТОО Авис Медиа Сервис	Авис Медиа Сервис	Алия Молдагулова ул., 5	(7132) 51-88- 89, 90-89-00
Тараз	ИП Михальчук	ИП Михальчук	Толе-би ул., 51	(7262) 45-13-56
Уральск	ТОО AV Service	AV Service	Абулхаир хана пр.,51	(7112) 93-99-49
Экибастуз	ТОО Электрон Сервис Центр	ТОО Электрон Сервис Центр	Строительная ул., 34	(7187) 22-22-23
Оскемен	ИП Ермаков	ИП Ермаков	Ворошилова ул., 183	(7232) 52-10-90
Костанай	ТОО Норд Трейдинг	Норд Трейдинг	Павлова ул., 50	(7142) 50-03-25
Темиртау	ТОО Сервисный центр Огма	Огма	Горка Дружбы ул., 6/1	(7213) 90-44-46

Семей	ТОО Дельта	Дельта	8 Марта ул., 85	(7222) 54-02-73
Павлодар	ИП Маковецкий	Диатэкс	Академика Сатпаева ул., 33	(7182) 62-49-00
Атырау	ИП DSD Group	DSD Сервис	Абдрах- манова ул.,11	(7122) 49-32-88

Гарантийный талон (для территории Республики Казахстан)

(Кепілдікті талон)

Настоящая гарантия действительна при заполнении продавцом всех полей таблицы и наличии подписи покупателя
(Осы кепілдікті талон кестенің барлық жолдарын толтырғанда және алушының қолы бар болған жағдайда жарамдық)

Модель № (Үлгі №)	Дата приобретения (Алынған күні)	
Серийный номер (Сериялық нөмері)	ФИО и подпись покупателя (Сатып алушы аты-жөні және қолы)	
Название и юридический адрес продающей организации (Сататын ұйымның заңды мекенжайы мен атауы)	Подпись продавца (Саты алушы қолы)	Печать продающей организации (Сататын ұйым мөрі)

«Saturn» предоставляет гарантию сроком на 2 года со дня приобретения изделия.

При покупке непременно требуйте в Вашем присутствии проверки работоспособности изделия, его внешнего вида и комплектности, а также корректного заполнения гарантийного талона установленного образца НА РУССКОМ ЯЗЫКЕ.

В случае отсутствия у вас гарантийного талона Вы НЕ можете рассчитывать на бесплатный гарантийный ремонт.

Условием бесплатного гарантийного обслуживания Вашего изделия является его правильная и бережная эксплуатация в соответствии с условиями и требованиями инструкции по эксплуатации, здравым смыслом, а так же отсутствие механических повреждений.

Гарантия распространяется на все производственные дефекты, выявленные в течение гарантийного срока. В этот период любые дефектные части подлежат бесплатной замене.

Гарантия не распространяется на:

расходные материалы и аксессуары (фильтры, сетки, ножи, мешки, картриджи, насадки и т.п);

механические повреждения (трещины, сколы, разломы и т.п.);

повреждения, вызванные использованием изделия в производственных целях, выходящих за рамки бытовых нужд;

повреждения и дефекты, вызванные качеством воды и отложением накипи (очистка от накипи и чистка не входит в гарантийное обслуживание и должна РЕГУЛЯРНО производиться Вами самостоятельно);

дефекты, вызванные перегрузкой, неправильной или небрежной эксплуатацией, проникновением жидкостей, пыли, насекомых и др. посторонних предметов внутрь изделия, воздействием высоких температур на пластмассовые и другие нетермостойкие части, действием непреодолимой силы (несчастный случай, пожар, наводнение, сель, землетрясение, наводнение, удар молнии, неисправность электрической сети, и др.);

повреждения, вызванные самостоятельным изменением владельцем конструкции изделия или его элементов;

изделия, подвергавшиеся ремонту в сторонних организациях или у частных лиц, кроме как в уполномоченных сервисных центрах.

Потребитель обладает всеми правами, предусмотренными Законом «О защите прав потребителей».

GB

WARRANTY COUPON

**When purchasing the product,
please require its checking before you;**

BE SURE

**that the goods sold to you, are functional and complete
and that the warranty coupon is filled in correctly.**

This warranty coupon confirms the absence of any defects in the product you purchased and provides for free of charge repair of the product failed through the fault of the manufacturer throughout the period of warranty service and free of charge repair.

Failing the presentation of this coupon, in case of its improper filling in, in the absence of the payment document proving the purchasing fact, infringement of factory seals (if any), and also in cases indicated in the warranty obligations, the claims are not accepted, and no warranty service and free of charge repair is made!

The warranty coupon is valid only in the original copy with the stamp of trading organization, signature of the seller, date of sale and signature of the buyer.

Complex home appliances should be installed by supplier's authorized service centers, authorized specialists. In the case of a malfunction of the home appliance because of incorrect installation, the buyer must pay the cost of the visit (call) of the specialist, as well as the cost of fault diagnostics if necessary.

CZ

ZÁRUČNÍ LIST

**Při koupi výrobku
žádejte o jeho vyzkoušení ve Vaší přítomnosti,
PŘESVĚDČTE SE.
že Vám prodaný výrobek je dobře fungující a kompletní
a že záruční list je vyplněn správně.**

Tento záruční list potvrzuje, že na Vámi koupeném výrobku nejsou žádné vady a zajišťuje bezplatnou opravu nefungujícího přístroje z viny výrobce, během celé záruční doby.

Bez předložení tohoto listu, při jeho nesprávném vyplnění, v případě nepřítomnosti platebních dokumentu, který potvrzuje nákup, porušení plomb výrobce (jsou-li na výrobku) a také v případech, které jsou uvedené v záručním listě, nároky se nepřijímají a záruční oprava se neprovádí!

Záruční list je platný jenom jako originál s razítkem obchodní organizace, podpisem prodáváče, termínem prodeje a podpisem zákazníka.

Instalace komplexní spotřebiče musí být provedena autorizovaným servisním střediskem, specialistou. V případě poruchy v důsledku nesprávné instalace výrobku, kupující je povinen uhradit náklady na výjezd (volání) odborný, pokud je to nezbytné, a náklady na diagnostiku poruch.

RU

ГАРАНТИЙНЫЙ ТАЛОН

**При покупке изделия
требуйте его проверки в Вашем присутствии,
УБЕДИТЕСЬ,
что проданный Вам товар исправен и полностью укомплектован,
гарантийный талон заполнен правильно.**

Данный гарантийный талон подтверждает отсутствие каких-либо дефектов в купленном Вами изделии и обеспечивает бесплатный ремонт вышедшего из строя изделия по вине производителя в течение всего срока гарантийного обслуживания и бесплатного ремонта.

Без предъявления данного талона, при его неправильном заполнении, при отсутствии расчетного документа, свидетельствующего факт покупки, нарушении заводских пломб (если они имеются на изделии), а также в случаях, указанных в гарантийных обязательствах, претензии не принимаются, а гарантийный и бесплатный ремонт не производится!

Гарантийный талон действителен только в оригинале со штампом торгующей организации, подписью продавца, датой продажи, подписью покупателя.

Установка сложных бытовых приборов должна осуществляться уполномоченными поставщиком сервисными центрами, специалистами. В случае возникновения поломки по причине некорректной установки изделия покупатель должен оплатить стоимость выезда (вызова) специалиста, а в случае необходимости и стоимость диагностики неисправности.

UA

ГАРАНТІЙНИЙ ТАЛОН

**При придбанні виробу
вимагайте його перевірки у Вашій присутності,
ПЕРЕКОНАЙТЕСЬ,
що проданий Вам товар справний і цілком укомплектований,
гарантійний талон заповнений правильно.**

Даний гарантійний талон підтверджує відсутність будь-яких дефектів у купленому Вами виробі і забезпечує безкоштовний ремонт виробу, що вийшов з ладу, з вини виробника протягом всього терміну гарантійного обслуговування і безкоштовного ремонту.

Без пред'явлення даного талона, при його неправильному заповненні, при відсутності розрахункового документу, що засвідчує факт покупки, порушенні заводських пломб (якщо вони є на виробі), а також у випадках, зазначених у гарантійних зобов'язаннях, претензії не приймаються, а гарантійний і безкоштовний ремонт не проводиться!

Гарантійний талон дійсний тільки в оригіналі зі штампом торгуючої організації, підписом продавця, датою продажу і підписом покупця.

Встановлення складних побутових приладів повинно здійснюватися уповноваженими постачальником сервісними центрами, фахівцями. В разі виникнення поломки з причини некоректного встановлення виробу покупець повинен сплатити вартість виїзду (виклику) фахівця, а в разі необхідності і вартість діагностування несправності.

Saturn®

WARRANTY COUPON

ZÁRUČNÍ LIST

ГАРАНТИЙНЫЙ ТАЛОН

ГАРАНТІЙНИЙ ТАЛОН

SATURN HOME APPLIANCES S.R.O.
TISKARSKA 563/6, 108 00, PRAGUE, CZECH REPUBLIC

Model/Артикул

Serial number/Sériové číslo/Серийный номер/Серійний номер

Date of sell/Termín prodeje/Дата продажи/Дата продажу

Shop stamp/Razítko obchodu/Штамп магазина/Штамп магазину

Seller's signature/Podpis prodavače/Подпись продавца/Підпис продавця

Buyer's Signature confirming the acquaintance and consent with terms of free of charge maintenance service of the product, and absence of the complaints on appearance and color of the product. Podpis zákazníka, potvrzující seznámení a souhlas s podmínkami bezplatného záručního servisu výrobku, a také neexistence nároků na vnitřek a barvu výrobku.

Подпись покупателя, подтверждающая ознакомление и согласие с условиями бесплатного сервисно-технического обслуживания изделия, а также отсутствие претензий к внешнему виду и цвету изделия.

Підпис покупця, що підтверджує ознайомлення і згоду з умовами Безкоштовного сервісно-технічного обслуговування виробу, а також Відсутність претензій до зовнішнього вигляду та кольору виробу.

ВІДМІТКИ ПРО ВСТАНОВЛЕННЯ ВИРОБУ*

Дата встановлення	Назва організації, СЦ	№ наряду	ПІБ та підпис майстра	
			ПІБ та підпис споживача**	

*Побутові прилади, для введення в експлуатацію котрих необхідні установочні, монтажні роботи, повинні вводитись в експлуатацію уповноваженими спеціалістами сервісних центрів постачальника. В разі виникнення несправності виробу з причини некоректної установки, вироб може бути знятий з гарантійного обслуговування, а покупець повинен сплатити вартість візду (виклику) фахівця, а в разі необхідності і вартість діагностування несправності.

ВІДМІТКИ ПРО ПРОВЕДЕННЯ СЕРВІСНОГО ОБСЛУГОВУВАННЯ

Дата прийому в ремонт	Заявлений споживачем недолік	№ наряду	Назва організації, СЦ	Перелік виконаних робіт	Перелік встановлених запчастин	Дата завершення ремонту	ПІБ та підпис майстра	
							ПІБ та підпис споживача**	

** Підпис споживача свідчить про прийняття виробу в робочому стані.

ОТМЕТКИ ОБ УСТАНОВКЕ ИЗДЕЛИЯ*

Дата установки	Название организации, СЦ	№ наряда	ФИО и подпись мастера	
			ФИО и подпись потребителя**	

*Бытовые приборы, для ввода в эксплуатацию которых необходимы установочные, монтажные работы, должны вводиться в эксплуатацию уполномоченными специалистами сервисных центров поставщика. В случае возникновения неисправности по причине некорректной установки, изделие может быть снято с гарантийного обслуживания, а покупатель должен оплатить стоимость выезда (вызова) специалиста, а в случае необходимости и стоимость диагностики неисправности.

ОТМЕТКИ О ПРОВЕДЕНИИ СЕРВИСНОГО ОБСЛУЖИВАНИЯ

Дата приема в ремонт	Заявленный потребителем недостаток	№ наряда	Название организации, СЦ	Перечень выполненных работ	Перечень установленных запчастей	Дата завершения ремонта	ФИО и подпись мастера	
							ФИО и подпись потребителя**	

** Подпись потребителя свидетельствует о приеме изделия в рабочем состоянии.

NOTES ABOUT THE INSTALLATION OF THE DEVICE*

Installation date	Name of organization, Service Center	Order №	Repairer 's surname, name, patronymic and signature
			Client's surname, name, patronymic and signature **

*Household appliances for commissioning of which installation and mounting works are required should be commissioned by the supplier's authorized service center specialists. In case of a malfunction of the product because of incorrect installation, the product may become invalid for warranty service, and the buyer must pay the cost of the visit (call) of the specialist, as well as the cost of a fault diagnostics if necessary.

NOTES ABOUT CARRYING OUT SERVICE MAINTENANCE

Date of receipt for repair	Client's declared problem	Order №	Name of organization, Service Center	List of performed work	List of installed spare parts	The repair end date	Repairer 's surname, name, patronymic and signature
							Client's surname, name, patronymic and signature **

** Client's signature certifies the appliance's receipt at a working condition.

Saturn®

Model/Артикул/Артикул.....

Date of sale/Дата продажу/Дата
продажу/.....

Serial number/Серійний номер/
Серійний номер

Name of the Trade Company and Stamp/
Назва торгової організації і
штамп/Найменування торгової
організації и штамп

м.п./м.п/Stamp

Customer's address, phone#, name,
surname/Адреса, телефон, ПІБ
споживача/Адрес, телефон, ФИО
потребителя.....

Date of Receiving/Дата прийому/Дата приема

Date of Return/Дата видачі/Дата выдачи

Defect/Дефект/Дефект.....

Stamp of the Service Center, signature/
Печатка сервісного центру, підпис
Печать сервісного центра, подпись

м.п./м.п/Stamp
COUPON 1

Saturn®

Model/Артикул/Артикул.....

Date of sale/Дата продажу/Дата
продажу/.....

Serial number/Серійний номер/
Серійний номер

Name of the Trade Company and Stamp/
Назва торгової організації і
штамп/Найменування торгової
організації и штамп

м.п./м.п/Stamp

Customer's address, phone#, name,
surname/Адреса, телефон, ПІБ
споживача/Адрес, телефон, ФИО
потребителя.....

Date of Receiving/Дата прийому/Дата приема

Date of Return/Дата видачі/Дата выдачи

Defect/Дефект/Дефект.....

Stamp of the Service Center, signature/
Печатка сервісного центру, підпис
Печать сервісного центра, подпись

м.п./м.п/Stamp
COUPON 2

Saturn®

Model/Артикул/Артикул.....

Date of sale/Дата продажу/Дата
продажу/.....

Serial number/Серійний номер/
Серійний номер

Name of the Trade Company and Stamp/
Назва торгової організації і
штамп/Найменування торгової
організації и штамп

м.п./м.п/Stamp

Customer's address, phone#, name,
surname/Адреса, телефон, ПІБ
споживача/Адрес, телефон, ФИО
потребителя.....

Date of Receiving/Дата прийому/Дата приема

Date of Return/Дата видачі/Дата выдачи

Defect/Дефект/Дефект.....

Stamp of the Service Center, signature/
Печатка сервісного центру, підпис
Печать сервісного центра, подпись

м.п./м.п/Stamp
COUPON 3

Клієнт дає згоду на обробку своїх персональних даних, відповідно до закону України
Про захист персональних даних від 01 червня 2010 року №2297 VI.