

Saturn[®]

ST-DV 7705

DVD PLAYER

DVD ПРОИГРЫВАТЕЛЬ

DVD ПРОГРАВАЧ



GB
DVD PLAYER

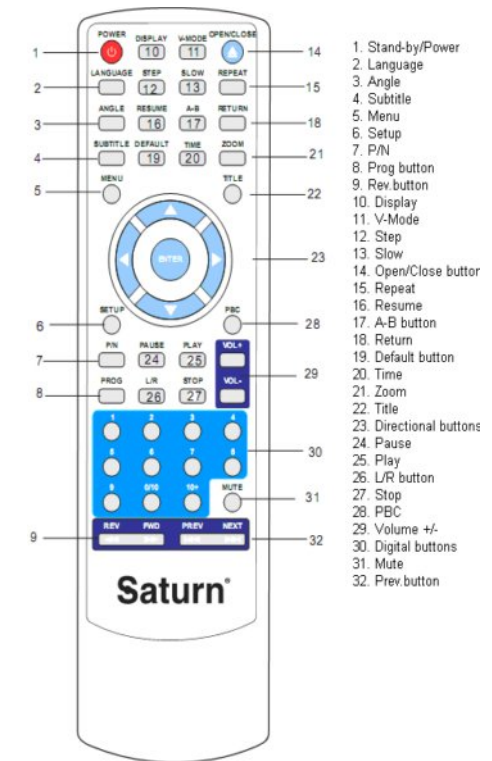
Dear Buyer!
We congratulate you on having bought the device under trade name "Saturn". We are sure that our devices will become faithful and reliable assistance in your housekeeping.

Avoid extreme temperature changes. Rapid temperature change (e.g. when the unit is moved from freezing temperature to a warm room) may cause condensation inside the unit and a malfunction when it is switched on. In this case leave the unit at room temperature for at least 1.5 hours before switching it on. If the unit has been in transit, leave it indoors for at least 1.5 hours before starting operation.

TABLE OF CONTENTS

- Remote Control Unit
- Function
- System Connection
- Connecting to TV(AV Input)
- S-video Output Terminals
- Y, Pb/Cb, Pr/Cr Terminals
- Connecting to Progressive Scan TV set
- Connecting to Stereo Amplifier
- Connecting to AC-3
- Connection to 5.1 CH Amplifier
- Basic Operation
- System Setup
- Language Setup
- Audio Setup
- Video Setup
- Speaker Setup
- Digital Setup
- Media Operating Instruction
- Trouble Shooting
- Specifications

Function Keys of Remote Control:



POWER
Turn on/off the DVD player.

OPEN/CLOSE
Open or Close the disc tray.

MUTE
To mute the sound during playing.

PLAY
Start to play when placed a disc.

PAUSE
Press this key to stop playback. The image and sound will be in static status. Press PLAY to return to normal playback.

STOP
To stop playback.

NUMERAL KEYS

Select your desired item directly through these keys.

TIME

You can use this key to set a playback start point. Press this key & move directional buttons to highlight input part & input numbers according to your desired title, character, item or time. Press ENTER to confirm & start playback from your searching part.

Notice:

- 1.The function is invalid in program mode.
- 2.When using this function, it will make PBC off automatically while PBC is on.
- 3.When playing Mp3 disc, the function is invalid.

PROG

Press PROG under stop or playback status. Press numeral keys to select titles or chapters. Select PLAY or press ENTER to start program playback from your selected items according to your desired playback order. Select CLEAR and then press ENTER to confirm to exit program playback or you can also press STOP twice.

SLOW

When press SLOW, the speed of playback changes in circles of slow forward; Press PLAY to return to normal playback.

DISPLAY

When playing, press DISPLAY , the screen shows playing time and residual time.

REPEAT

Press this key to play selected item repeatedly.

When playing DVD, press REPEAT once, screen shows in circle as below:

REP: [OFF] REP: [CHAPTER] REP: [TITLE].

When playing SVCD /VCD /CD, the screen shows in circle as below:

(The function is only valid when PBC is OFF.)

REP: [OFF] REP: [REP1] REP: [REP ALL] A-B

Press A-B firstly to set location A: REPEAT: A

Press again to set location B, then playback will repeat during the two locations: REPEAT: A-B

Press A-B the third time to cancel the function and return to

normal playback: REPEAT: CANCEL

STEP

Press this key to play picture by picture. Press PLAY to return to normal playback. ENTER/DIRECTIONAL BUTTONS Confirm your selection by using directional buttons..

SETUP

Press SETUP to get into SETUP menu.

REV & FWD

Press REV / FWD to go into Fast Forward/Fast Reverse status and the continues, the screen will show the speed changes of 2X , 4X , 8X , 20X

TITLE

Press TITLE ,the disc will stop playback and return to the title menu. Press directional keys and numeral keys to select title.

ANGLE

Press this key to select your liked watching angle when playing a multi-angle disc.

NEXT/PREV

Press NEXT/PREV to select the Next or Previous item during the playing.

LANGUAGE

Select your liked language when playing DVD discs that have more than two languages.

VOL

Press VOL - when playing discs ,the sound will be lower.

Press VOL + when playing discs, the sound will be higher.

PBC

The function is only available for Video-CD version 2.0 or higher. The PBC function may differ by disc. When PBC ON, you can select items through menu list using PREV and NEXT keys and numeral keys .When PBC OFF, you can not select items through menu list but select through numeral keys directly or through PREV and NEXT keys.

MENU

Press MENU to return to DVD menu.

SUBTITLE

Press this key to select subtitles when playing a multi-subtitle DVD or SVCD disc.Types and numbers are subjected to the manufacture of the disc. DVD disc has at most 32 subtitles & SVCD disc has at most 4 subtitles.

RETURN

Press this key to return to VCD menu.

R/L

Switch the output audio.

When playing SVCD or VCD, press R/L key to change channels in circle like following:

STEREO ----MONO L---MONO R ----AUTO L -----AUTO R.

When playing CD or Mp3 ,switch the output audio in MONO L, MONO R and STEREO

RESUME

When you press STOP during playback, you can press RESUME to continue watching from the place you stopped while PLAY key has no function of this.

ZOOM

Press ZOOM to turn on or off zoom pan function. The picture will be displayed at the ratio selected by the users. You also can move the picture to watch your desired viewing part via directional keys.

ZOOM 1 ZOOM 2 ZOOM 3 ZOOM 4
ZOOM OFF

V-MODE

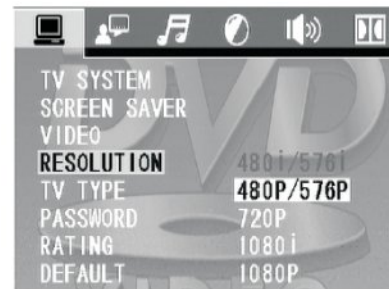
This button can set VIDEO output among "COMPONENT", "COMPONENT", "COMPONENT PROGRESSIVE" or "HDMI".

Note: The screen disappear when press this button, press this button continuously until the screen turn normal. If there are picture interferences or no picture, please press "V.MODE" to correct it.

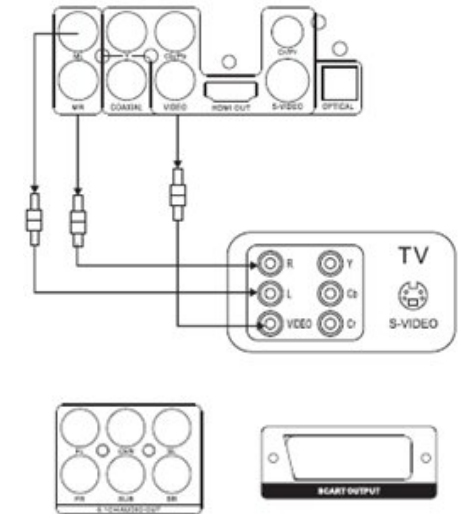
Default

Default settings

This button can restart preset settings substituting them by default settings (excluding password). Select the button Default and press Enter to confirm and reset the system.



Composite Video Output Terminals (AV Input)



One set of AV Cable is included in the standard packing.

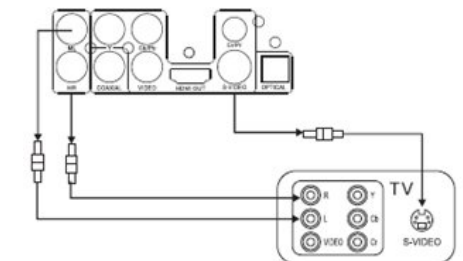
Connecting the unit's Video output to the TV's Video input terminal (yellow)

Connecting the unit's echo audio output to the TV's audio input terminals(white for left speaker and red for right speaker).

When connecting , please refer to the manual of the TV set.

If your TV set has no AV port,please use the external radiofrequency box to connect the unit's (RF interlace) and TV's antenna interpolation port. And adjust the channel and frequency to make the image and acoustic get the optimum state. Convert to PAL or NTSC when watching different kind of discs.

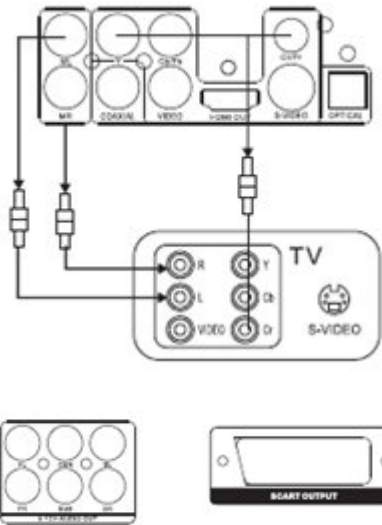
S-Video Output Terminal





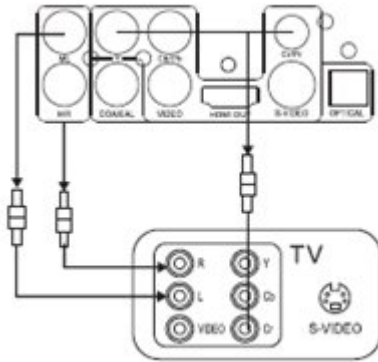
S-video connecting is optional and not included in the standard packing. Connect the unit to TV set using the S-video cable instead of the video connecting cord. A clearer picture will be shown. Connect the unit's echo audio output (white for left speaker and red for right speaker). When connecting, please refer to the manual of the TV set.

Y Cb Cr Output Terminal



The connecting is optional and not included in the standard packing. Connect the Y,Cb,Cr terminals of the cable to the Y, Cb, Cr input of the TV set. Connect the unit's echo audio output to the TV's audio input terminals (white for left speaker and red for right speaker).

Connecting to Progressive Scan TV set



If the TV has Y, Cb, Cr input connectors, connect the unit via Y, Cb, Cr output connector. A higher quality picture you will see. Connect the unit's echo audio output to the TV's audio input terminals (White for left speaker and red for right speaker).

When connecting to progressive scan TV set, the YUV or RGB in setup menu are equal to Y, Cb, Cr or VGA output.

YUV = Y, Cb, Cr

RGB = VGA

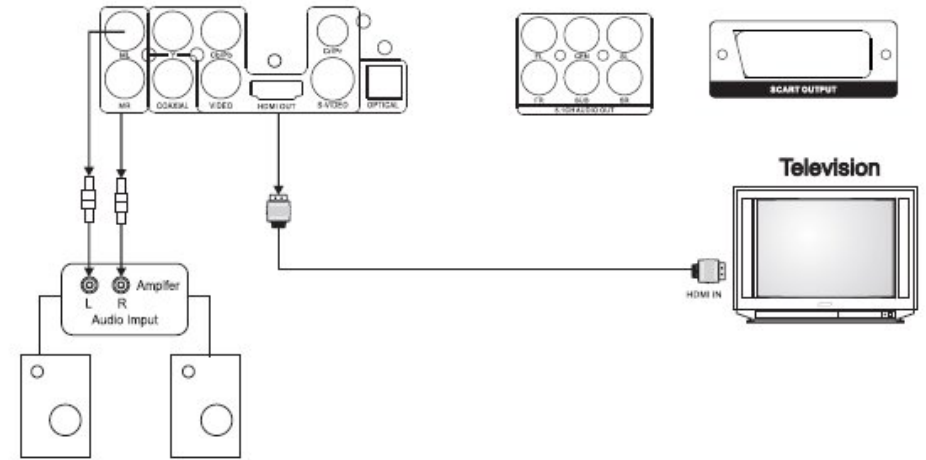
For example: connecting to Y, Cb, Cr

1. Connect video output.
2. Set DVD video output mode to be YUV.
3. Convert to progressive state via the progressive / interlaced key on the remote control
4. Convert the progressive scan TV set to Y, Cb, Cr state.

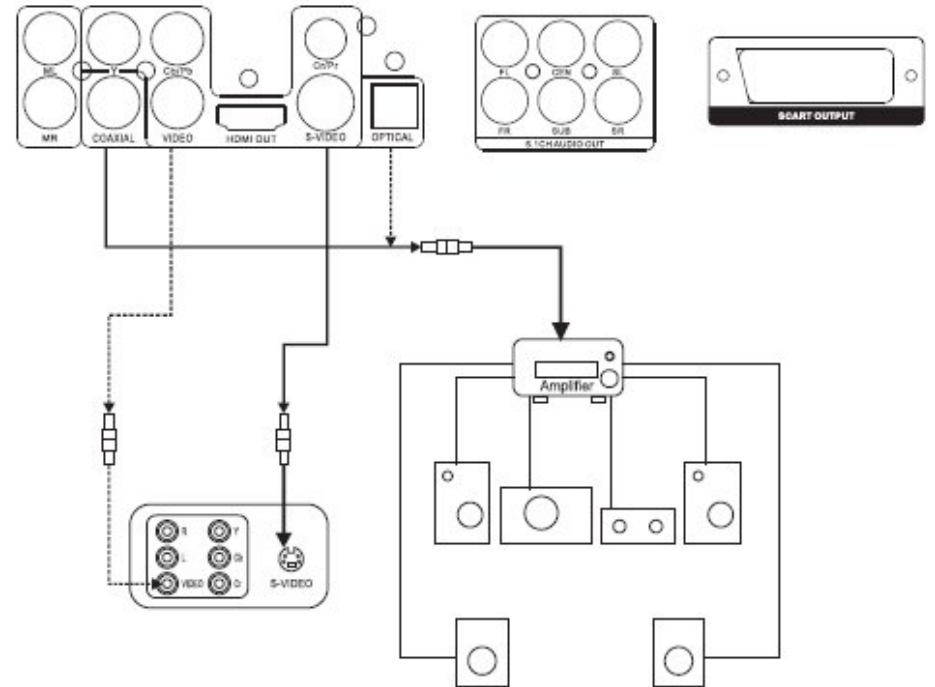
Connecting to Stereo Amplifier

Connect the video output terminals of the unit to the video input terminals (Video, S-Video or Y/Cb/Cr) of the TV set.

Connect the audio output terminals (Prepositive Left and Prepositive Right) of the unit to the stereo amplifier's input terminals Left (white) and Right (Red).



Connecting to a devices with HDMI faucet



Easy DVD hook up guide: For the best possible picture, simply follow these guidelines and use the best cables your TV accepts:

Normal: Composite video Good: S-video.

Better: Component video Best: HDMI video.

HD DVD playback: Enjoy your entire DVD collection in brilliant high definition format. This DVD player upconvert DVDs to your HDTV's native resolution, whether it's 480p, 720p, 576p or 1080i.

HDMI output: Use this output for HD conversion and experience stunning HD images and crisp digital audio.

Connecting the AC-3 Decoding Amplifier. Connect the unit's video output to the video input terminals (Video, S-Video or Y Cb Cr) of the TV set.

Connect the digital output (optical or coaxial) to the AC-3 built-in amplifier.

Press SETUP button on the remote control to enter the unit's SETUP menu.

Press directional keys on the remote control to select the AUDIO OUTPUT.

Press directional keys on the remote control to select digital output and choose BISTREAM or LPCM48K.

Press SETUP again to save your selection and exit [SETUP] menu.

Connect the unit's video output terminal to the TV's video input terminals (Video, S-Video or Y Cb Cr). Connect the unit's 5.1 channels surround audio output terminals to the 5.1 channels amplifier's audio input terminals.

Prepositive Left, Prepositive Right, Surround Left, Surround Right, Center and Sub-woofer.

BASIC OPERATION

Press SETUP button on the remote control unit to the initial setting. Select related SETUP PAGE through directional buttons. The selected item will be highlighted.

Menu Operations

You can set the mode of audio and video output, OSD language, initial setup, parental control level and so on.

You can also select the aspect ratio of the playback picture to confirm to your TV screen.

Press SETUP to display setup menu and the system convert to stop status itself.

1. Introduction of setup page

1) SYSTEM SETUP

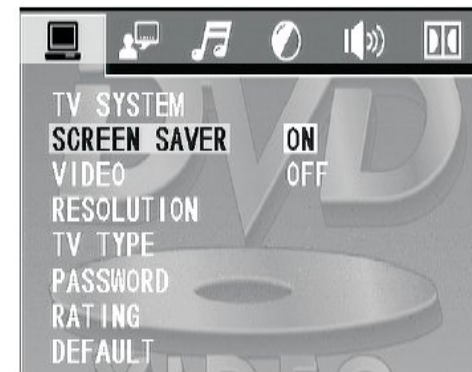
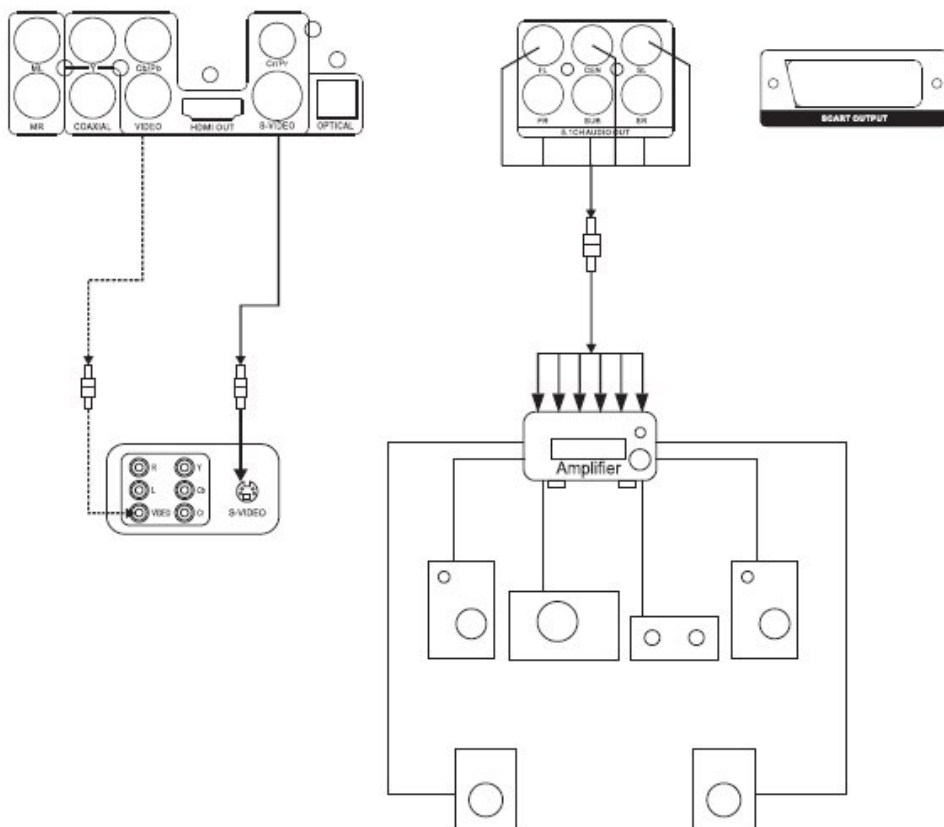
Press SETUP and select system setup page via directional buttons.

TV system: Using up/down arrow button to make a selection for TV system.

There are some TV output systems for chosen:

NTSC, PAL-M, PAL-N, PAL, AUTO.

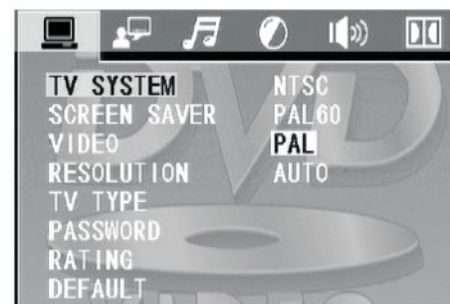
Connecting to 5.1 CH Amplifier



VIDEO

There are three video output modes for your choice:

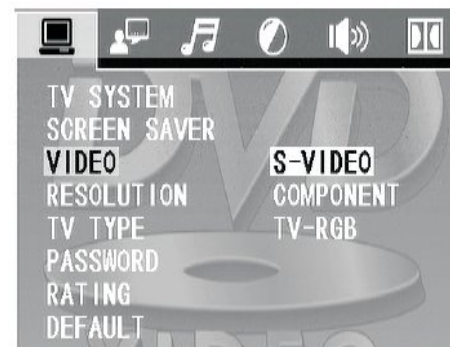
- 1) COMPONENT: use Y Cb Cr / Y Pb Pr terminals to output signals
- 2) TV-RGB: Use S-video or composite video output terminals to output signals.
- 3) P-SCAN YPBPR: use Y Pb Pr terminals to output signals and convert to progressive output.
- 4) PC-VGA: Use VGA to output signals & convert to progressive output.
- 5) S-VIDEO: Use S-VIDEO to output signals



SCREEN SAVER

Using up/down arrow button to select the status of the screen saver On: When enabled, if the machine has been idle (e.g. in stop/pause state or waiting for user input or for about 60 seconds), the video will be blanked while a screen saver will bounce around the screen to protect screen.

Off: Setting without screen saver



TV TYPE

Using left/right arrow buttons to select TV aspect ratio: 16: 9

16:9 Wide screen video output for a wide screen TV set;

4:3/LB.

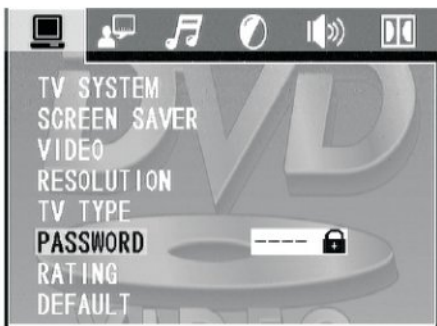
4:3 Letter Box video output for a normal TV set. The screen displays the wide picture with brand displayed on the upper and lower portions of the screen.

4:3/PS.

4:3 Pan & Scan video output for a normal TV set. The screen displays the wide picture on the whole screen with a left and right portion automatically cut off.

PASSWORD

The initial setting of this item is under locked status. You can not set rating & also can not change password. Input initial password: 0000 and press [ENTER] to confirm and then set rating and change the password.



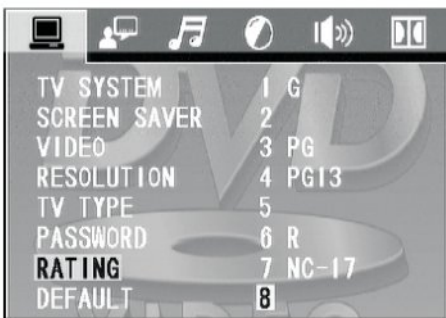
RATING

Playing some DVD discs can be limited depending on the age of the users. Parental control function allows playback limitation level to be set by parents from level

The level is from high to low.

Level 1 is the lowest level & level 8 is the highest level. This function is only valid for some DVD discs which has limited level.

And you should set password firstly & make sure the password lock is locked.



DEFAULT

Using right arrow button to select [RESTORE] and press [ENTER] to return all the settings of the system to original settings.

Level 1 is the lowest level & level 8 is the highest level. This function is only

valid for some DVD discs which has limited level. And you should set password firstly & make sure the password lock is locked.

2) LANGUAGE SETUP OSD LANGUAGE

Using up/down buttons to select desired OSD language and press [ENTER] to confirm;

The unit supports: English, German, Spanish, French, Italian, and Portuguese.



AUDIO LANGUAGE

Using up/down button to select desired AUDIO language and press [ENTER] to confirm;

This unit support 8 languages: Turkish, English, Hebrew, French, Spanish, Portuguese, Latin, German



3) Audio Setup

AUDIO OUTPUT

Using right arrow buttons to select audio output way. There are three ways for your choices: SPDIF/ OFF, SPDIF/RAW and SPDIF/PCM.

When you use Optica or Coaxial Output,

please select SPDIF/ RAW or SPDIF/PCM Output.



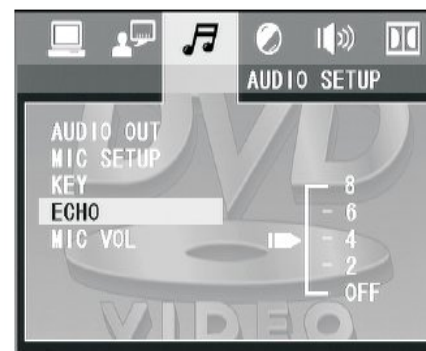
MIC SETUP

Use right arrow button to select status of the Karaoke. The Karaoke may set to be AUTO or OFF.



ECHO

You can use up/down buttons to increase or decrease the echo level.



MIC VOL

You can use up/down buttons to increase or decrease the Karaoke volume.



KEY

You can use up/down buttons to increase or decrease the tone level.



4) Video Setup

BRIGHTNESS

Use up/down buttons to adjust the brightness of the video output



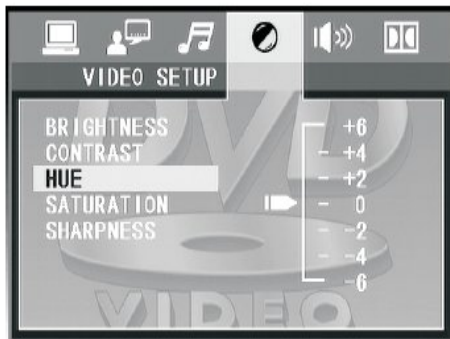
CONTRAST

Use up/down to adjust the contrast value of video output.



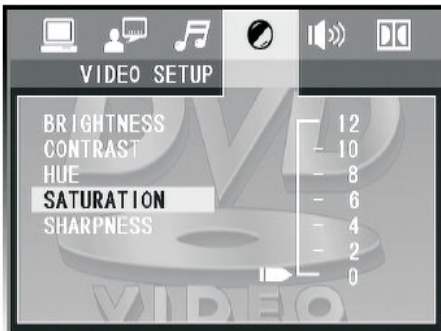
HUE

Use up/down to adjust HUE value of video output.



SATURATION

Use up/down to adjust saturation value of video output.



5) Speaker Setup

DOWNMIX

LT/RT: When you play disc that has no prologic Dolby effect, you can choose LT/RT output. The disc information will be decoded and show better effect. STEREO: When use 5.1 Ch output, the front left & front right channel have audio output signals. When use 2 Ch output, audio output in normal output stereo signals.

VSS: When play discs which have 5.1 Ch output, the main channel is able to output virtual surround effect.

5.1 CH: The 5.1 Ch output is valid only when this page is set at 5.1 CH.



SUBWOOFER

ON: The unit detects subwoofer output itself. If has audio input and the subwoofer will have sound output.

OFF: The subwoofer will have no sound output



CENTER DELAY

You can set delay time of the center and rear audio output.



REAR DELAY

You can set delay time of the rear audio output.



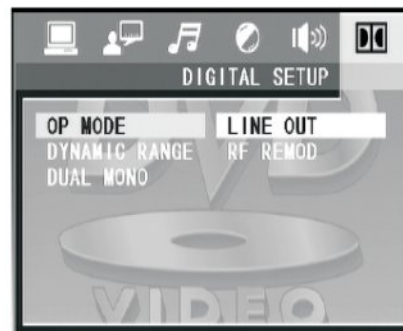
5) DIGITAL SETUP

Press SETUP and select speaker setup page via up/down button. The screen displays as below:

OP MODE

LINE OUT: The input signals are linear compressed & the volume is low. So choose LINE OUT at night will be better.

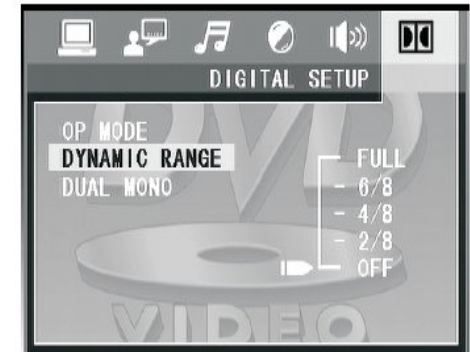
RF REMOD: The volume is higher and adapt to daytime use.



DYNAMIC RANGE

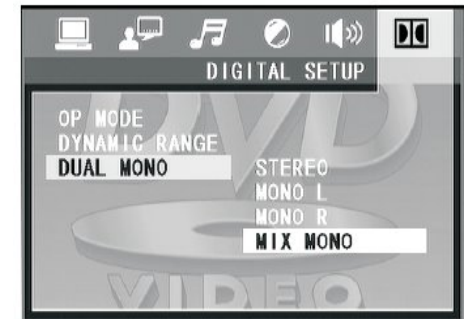
When you choose LINE OUT mode, select DYNAMIC RANGE to adjust compression ratio & you can get different effects.

When adjust to FULL, the compression ratio will be set lowest. When adjust to OFF, the compression ratio will be set highest.



DUAL MONO

You can set audio output way of L & R channel. There are four modes: STEREO, MONOL, MONO R, MIX MONO.



Media Operating Instruction

1. Support USB, compatible with JPEG, MP3, AVI, WMA, etc.
2. Support SD, MMC, RS-MMC, MS, compatible with JPEG, MP3, AVI, WMA, etc.
3. USB media operation: USB function are available on no disc or no card status, media will be auto play when USB is connected to the unit in the above status.
4. Card media operation: Card media function are available on no disc or no USB status, media will be auto play when memory

card is connected to the unit in the above status.

Notice:

A. DVD and USB function can be switched from each other by the DVD/USB key on the remote control.

B. The unit is not all purpose for all of the media as some of them have unforeseeable problem.

Trouble Shooting

Symptoms	Possible Cause and Remedies
No playback	<ol style="list-style-type: none"> 1. Make sure there's connection between the power cord and the outlet. 2. Check it the power is on (Always power off the unit after use). 3. Check if the power is on. 4. Check if the disc has been loaded in. 5. Check if the disc has been placed right way. Make sure the disc with label side up. 6. The disc has been damaged & should change another or clean it. 7. Moisture may be condensed inside the unit. 8. Turn power on for 1-2 hours before using. 9. The region code for the disc is not matching to the unit. 10. The format of the disc is not correct.
No Video	<ol style="list-style-type: none"> 1. Check if the TV is on & the video connectors are all right. 2. Check if the video output setting conforms to the setting in SETUP menu. 3. Check if the connection cables are all right. 4. Please clean the disc.
Picture indefinable or distorted	<ol style="list-style-type: none"> 1. The disc has been damaged or dirted. 2. Reset the disc TV system of the unit & TV. 3. Connect the unit directly to the TV set and no other connections.
Image can not get full screen	<ol style="list-style-type: none"> 1. Set the TV system again. 2. Select proper aspect ratio from SETUP.
Can not select a song	Song parts of the discs can not be programmed its sequence.
No Karaoke for echo	<ol style="list-style-type: none"> 1. Check if the karaoke is power on for echo. 2. Check if the volume tuner is turned on.
Sharpe Sound from microphone	<ol style="list-style-type: none"> 1. Put the microphone away from speakers 2. Turn down the volume of TV & amplifier. 3. Turn down the volume of the microphone.
Remote Control does not function	1. Remove the obstacles between remote

	<p>and the unit.</p> <ol style="list-style-type: none"> 2. Point the remote control unit the remote sensor with a valid scope and should not be away from the unit far than 7m. 3. Check if the batteries loaded into the remote control unit correctly. 4. Check if the batteries are still useful or change new ones.
No Sound or Video Output Imperfect	<ol style="list-style-type: none"> 1. Make sure the TV and amplifier are turned on and connected correctly. 2. Check if there's connection shield exists between the connection of the TV & amplifier. 3. Check if the system is in mute status. 4. Press L/R or LANGUAGE to convert. 5. There's no audio output in these status:

Specification	
Disc type:	DVD/MP4/SVCDA/CD/DVCD/JPEG/ KODAK CD/M P3/CD/HDCD/CD-R/ CD-RW/DVD-R/DVD-RW.
Video Format: DVD: Audio Format:	MPEG2/MPEG4;VCD:MPEG1,MPEG3 MPEG1,MPEG2,MPEG3,MPEG4,PCM, DOLBY ,DIGITAL, Virtual Stereo Virtual Surround, 5.1 CH
Signal Output:	Audio: 5.1 channels output, Optical outpi Coaxial output Video: AV output, S- Video output, Y, Cb output. VGA output
Video features:	Video output lever :1.0V p-p (75 A) Y output lever :1.0Vp-p (75 n) C output lever: 0.286Vp-p/ NTSC;0.3Vp p/PAL (75 A)
Frequency response	20--20KHz(+1dB)
Audio features: Total distortion :	S/N : > 90dB <0.01 %
Power input voltage:	220-230V, 50Hz
Rated current:	0,11 A
Power consumption:	25 W

Set	
DVD	1
Instruction manual	
with warranty book	1
Package	1

ENVIRONMENT FRIENDLY DISPOSAL



You can help protect the environment!

Please remember to respect the local regulations: hand in the non-working electrical equipment to an appropriate waste disposal center.

The manufacturer reserves the right to change the specification and design of goods.

RU DVD ПРОИГРЫВАТЕЛЬ

Уважаемый покупатель!

Поздравляем Вас с приобретением изделия торговой марки "Saturn". Уверены, что наши изделия будут верными и надежными помощниками в Вашем домашнем хозяйстве.

Не подвергайте устройство режим перепадам температур. Резкая смена температуры (например, внесение устройства с мороза в теплое помещение) может вызвать конденсацию влаги внутри устройства и нарушить его работоспособность при включении. Устройство должно отстояться в теплом помещении не менее 1,5 часов. Ввод устройства в эксплуатацию после транспортировки производить не ранее, чем через 1,5 часа после внесения его в помещение.

Содержание

Пульт дистанционного управления
 Функционирование
 Подключения систем
 Подключение к ТВ (Вход AV)
 S-Video выход
 Выходы Y, Pb/Cb, Pr/Cr
 Подключение к функции Прогрессивное сканирование.
 Подключение к стерео усилителю
 Подключение к AC-3 (система пространственного звуковоспроизведения)
 Подключение к усилителю 5.1 CH
 Основные функции
 Настройка системы

Установка языка
 Настройка аудио
 Настройка видео
 Настройка динамиков
 Цифровая установка
 Работа с мультимедийной системой
 Устранение неисправностей
 Технические характеристики

Пульт дистанционного управления



Кнопки на пульте дистанционного управления

РЕЖИМ ОЖИДАНИЯ/ВКЛ

Загрузить/Выгрузить диск
 Открыть/Закрыть лоток с диском

Включение/Выключение звука
 Выключение звука во время воспроизведения

Воспроизведение

Начало воспроизведения диска

ПАУЗА

1. Режим ожидания/Вкл.
2. Язык
3. Угол
4. Субтитры
5. Меню
6. Настройка
7. Переключатель режимов воспроизведения P/N
8. Программирование
9. Ускоренная перемотка назад.
10. Кнопка Display
11. Кнопка переключения видеовыходов
12. Пошаговое воспроизведение
13. Замедленное воспроизведение
14. Открыть/закрыть лоток с диском
15. Повтор
16. Восстановление воспроизведения
17. A-B
18. Возврат
19. Кнопка Default
20. Кнопка Время
21. Масштабирование
22. Заголовок
23. Навигационные кнопки
24. Пауза
25. Воспроизведение
26. Левая/правая звуковая дорожка
27. Кнопка Стоп
28. Управление воспроизведением
29. Громкость +/-
30. Цифровые кнопки
31. Режим без звука
32. Предыдущий/Следующий

Прекращение воспроизведения диска. Изображение и звук будут в неподвижном положении. Нажмите кнопку PLAY для возврата к обычному воспроизведению.

СТОП

Прекращение воспроизведения

Цифровые кнопки

С помощью этих кнопок выберите необходимую функцию.

ВРЕМЯ

С помощью этой кнопки выбирается время пуска воспроизведения. Нажмите эту кнопку и при помощи навигационных кнопок выберите вводимую категорию и номер согласно предпочтений заголовка, позиции или времени. Кнопкой ENTER подтвердите выбор и начните воспроизведение с места поиска.

Примечание:

1. Данная функция недоступна в режиме программирования.
2. При использовании этой функции управление воспроизведением автоматически отключается. При воспроизведении диска Mp3 данная функция недоступна.

PROG

В состоянии остановки или воспроизведения нажмите кнопку PROG. Цифровыми кнопками выбираются разделы или главы. Нажмите кнопку PLAY или ENTER для начала воспроизведения диска согласно порядку воспроизведения. Нажмите кнопку CLEAR и нажмите ENTER для подтверждения выхода из воспроизведения или дважды нажмите кнопку STOP.

SLOW

Нажатием кнопки SLOW воспроизведение замедляется. Нажмите PLAY для возврата в нормальный режим воспроизведения.

DISPLAY

При нажатии кнопки DISPLAY на экране отображается время воспроизведения и время, оставшееся до конца.

REPEAT (ПОВТОР)

Нажмите эту кнопку для повторного воспроизведения выбранной части диска. При воспроизведении DVD диска однократно нажмите REPEAT, на экране отобразится следующее:

ПОВТОР: [ВЫКЛ] ПОВТОР: [ГЛАВА]
 ПОВТОР: [ЗАГЛАВИЕ].

При воспроизведении SVCD /VCD /CD, на экране отобразится:
 (функция активна только при выключенной функции PBC (управление воспроизведением)):

ПОВТОР: [ВЫКЛ] ПОВТОР: [ПОВТОР1]
 ПОВТОР: [ПОВТОР ВСЕХ]

A-B:

Сначала нажмите A-B для настройки положения A: REPEAT (Повтор); A- Нажмите кнопку для настройки положения B - будет воспроизведение двух положений: REPEAT (Повтор): A-B:

Нажмите кнопку A-B третий раз для отмены функции и возврата к обычному воспроизведению. ПОВТОР: ОТМЕНА

ШАГ

Нажмите эту кнопку для последовательно воспроизведения картинок на экране. Нажмите PLAY для возврата к нормальному режиму воспроизведения.

ВВОД/НАВИГАЦИОННЫЕ КНОПКИ

Подтверждайте ваш выбор при помощи навигационных кнопок

SETUP

Нажмите кнопку SETUP для входа в меню Настройки

REV & FWD

Нажмите кнопку REV / FWD для перехода в положение Ускоренного воспроизведения вперед /Ускоренного воспроизведения назад. На экране отобразится процесс изменения скорости 2X , 4X , 8X , 20X

ЗАГОЛОВОК

Нажмите кнопку TITLE - воспроизведение диска прекратится и возвратится к меню Заголовка. При помощи кнопок направлений выберите заголовок.

УГОЛ

Нажмите кнопку для выбора угла обзора при воспроизведении диска с несколькими углами обзора.

СЛЕДУЮЩИЙ/ПРЕДЫДУЩИЙ

Кнопка NEXT/PREV предназначена для перехода к следующему или предыдущему фрагменту во время воспроизведения.

Язык

Во время воспроизведения DVD дисков выберите предпочитаемый язык,

если DVD диск имеет более двух языков.

VOL

Нажмите кнопку VOL - для уменьшения громкости звучания. Нажмите кнопку VOL + для увеличения громкости звучания.

PBC (Управление воспроизведением)

Эта функция доступна только для Video-CD версии 2.0. или выше. Функция PBC может отличаться для разных типов дисков. При включенной функции PBC можно выбирать команды через список меню с использованием кнопок PREV и NEXT и цифровых кнопок. Если функция PBC выключена, команды списка меню недоступны, но доступны с цифровых кнопок или с помощью кнопок PREV и NEXT.

МЕНЮ

Нажмите кнопку MENU для возврата в DVD меню.

Subtitle (субтитры)

При воспроизведении диска DVD или SVCD с субтитрами нажмите эту кнопку. Типы и номера субтитров определяются производителем DVD. На DVD диске установлено максимум 32 типа субтитров и на SVCD диске установлено не более 4 типов субтитров.

ВОЗВРАТ

Нажмите эту кнопку для возврата в VCD меню.

R/L

Переключение режима звучания. При воспроизведении дисков SVCD или VCD нажмите кнопку R/L для изменения каналов:
STEREO ----MONO L----MONO R ----
AUTO L -----AUTO R
При воспроизведении CD или MP3 переключите режим звучания в MONO L, MONO R или STEREO.

P/N

Нажмите кнопку P/N для изменения системы воспроизведения.

RESUME

Если во время воспроизведения диска была нажата кнопка STOP, кнопкой RESUME воспроизведение восстанавливается.

Нажмите кнопку RESUME для продолжения воспроизведения с места остановки.

Кнопка PLAY при этом заблокирована.

ZOOM (Масштабирование)

Нажмите кнопку ZOOM для увеличения или уменьшения изображения на экране. Изображение отобразится в выбранном Вами масштабе. Вы также можете перемещать изображение при помощи навигационных клавиш.

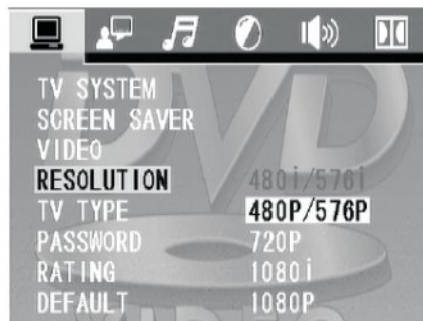
ZOOM 1 ZOOM 2 ZOOM 3 ZOOM 4
ZOOM ВЫКЛ

V-MODE

Данной кнопкой выберите видео выход: "COMPONENT", "COMPONENT PROGRESSIVE" или "HDMI".
Примечание: при нажатии кнопки изображение пропадает. Нажимайте эту кнопку непрерывно до появления изображения. При появлении помех или отсутствии изображения нажмите кнопку "V.MODE" для корректировки.

Настройки по умолчанию

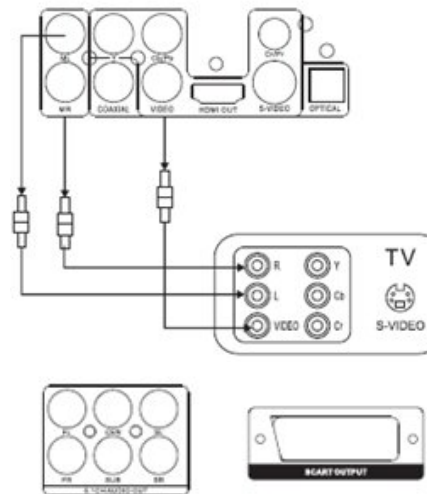
Они позволяют перезапустить установленные настройки, заменив их заводскими настройками (за исключением пароля). На пульте ДУ выберите команду Default и нажмите кнопку Enter для перезагрузки.



Подключение систем

Подключение к ТВ (Вход AV)

Выходы Composite Video (Вход AV)

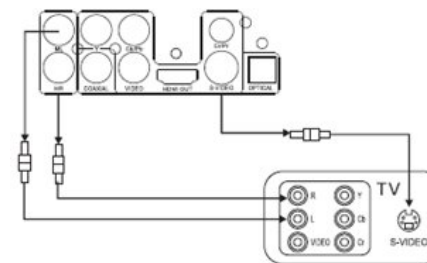


Кабель AV входит в стандартный комплект DVD проигрывателя. Подключите видео выход DVD проигрывателя к видео входу телевизора (желтый).

Подключите каждый аудио выход DVD проигрывателя к входу телевизора (белый для левого динамика, а красный - для правого динамика). При подключении телевизора к DVD см. инструкцию по эксплуатации телевизора.

Если Ваш телевизор не оборудован портом AV, используйте внешний декодер или разъем для антенны. Настройте каналы и частоту на максимально четкое изображение и звучание. Переключите режим PAL или NTSC при воспроизведении разных видов дисков.

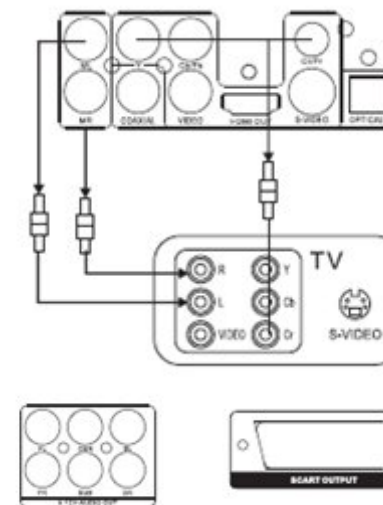
S-Video выход



S-Video выход – опция, которая не входит в стандартную комплектацию. Подключите DVD проигрыватель к телевизору при помощи S-video кабеля вместо обычного видео кабеля. На экране отобразится четкое изображение.

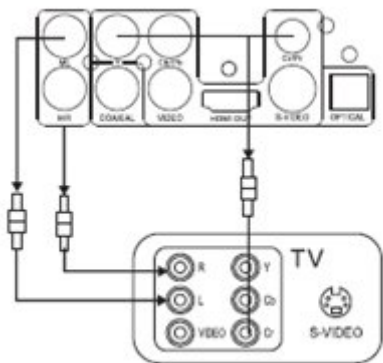
Подключите каждый аудио выход DVD проигрывателя (белый для левого динамика, а красный - для правого динамика). При подключении см. инструкцию по эксплуатации телевизора.

Выходы Y, Pb/Cb, Pr/Cr



Выход Y Cb Cr- опция, которая не входит в стандартную комплектацию. Подключите контакты разъема Y,Cb,Cr кабеля к входам Y,Cb,Cr телевизора. Подключите каждый аудио выход DVD проигрывателя к входу телевизора (белый для левого динамика, а красный - для правого динамика).

Подключение к функции «Прогрессивное сканирование».

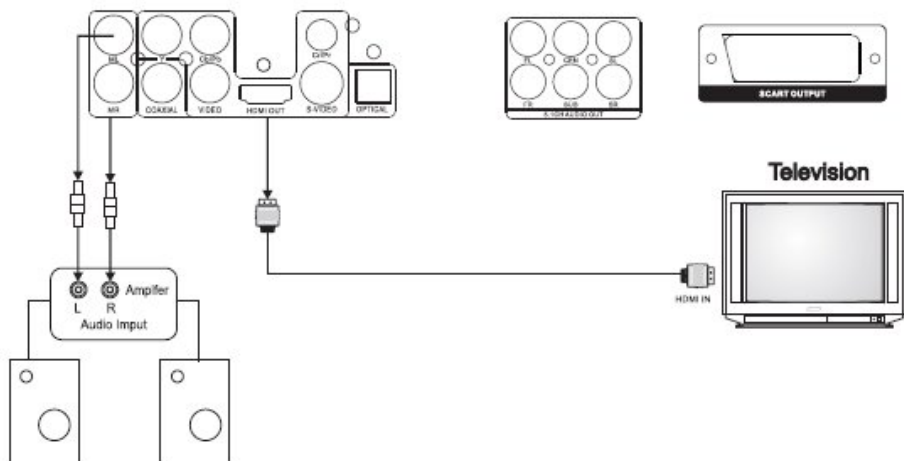


теля к входу телевизора (белый для левого динамика, а красный - для правого динамика).
 При подключении телевизора к progressive scan, меню установки YUV, RGB аналогично меню установки Y, Cb, Cr или VGA:
 YUV = Y, Cb, Cr
 RGB = VGA
 Например: Подключение к Y, Cb, Cr
 1. Подключите кабель к видео выходу.
 2. Выберите YUV режим видео выхода DVD.
 На пульте дистанционного управления переведите DVD в режим progressive, нажав соответствующую кнопку.
 4. Переключите телевизор из режима прогрессивного сканирования (progressive scan) в режим Y, Cb, Cr.

Подключение к стерео усилителю
 Подключите видео выходы DVD к видео входам (Video, S-Video или Y/ Cb / Cr) телевизора.

Подключите аудио выходы (левый и правый) DVD к входам - левому (белый) и правому (красный).

Если в телевизоре есть разъемы Y, Cb, Cr, подключите к DVD при помощи разъемов Y, Cb, Cr. Качество изображения будет улучшено. Подключите каждый аудио выход DVD проигрыва-



Подключение устройств к HDMI выходу

Подключение DVD к устройству: для получения наиболее четкого изображения следуйте руководству и используйте кабели, наиболее подходящие для вашего телевизора:

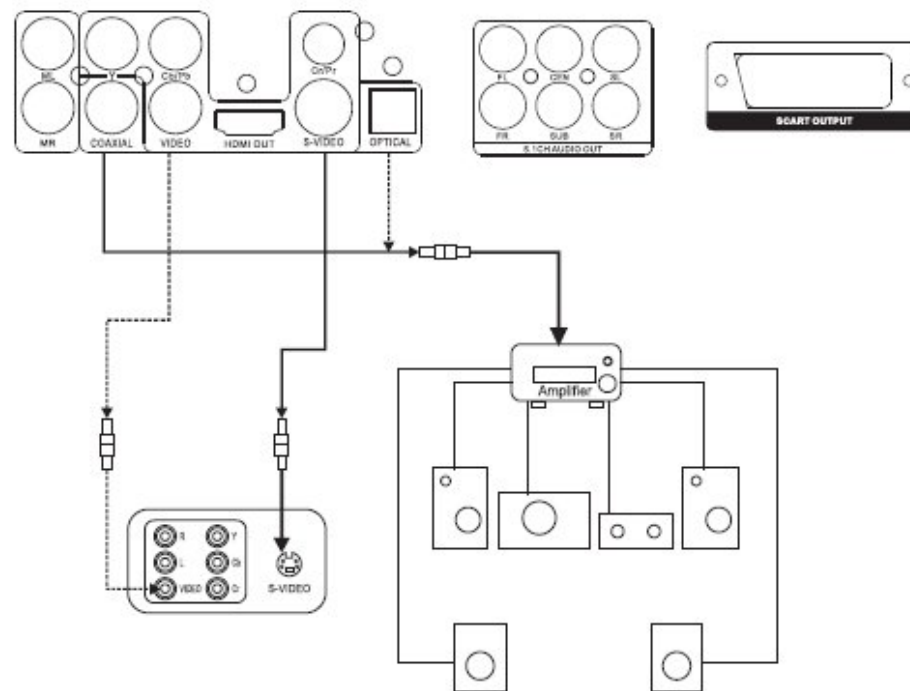
Нормальное изображение: Composite video;
 Хорошее: S-video
 Лучшее: Компонентное видео;
 Лучшее HDMI видео
 Воспроизведение с HD DVD:
 DVD плеер преобразует DVD диски в наилучшее разрешение HDTV для Ва-

шего телевизора, будь то 480p, 720p, 576p или 1080i.
 Выход HDMI: используйте этот выход для воспроизведения изображения в HD режиме вместе с великолепным звучанием.

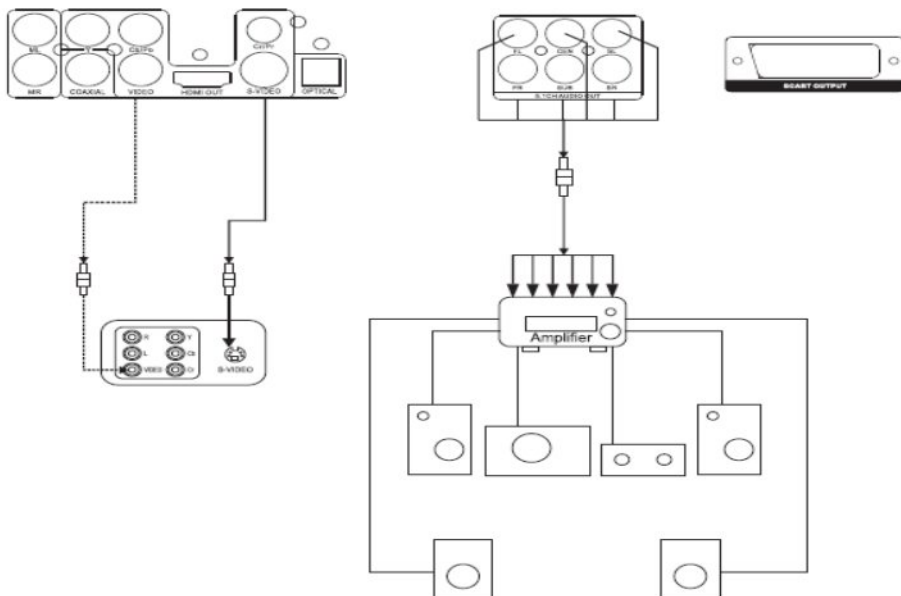
Подключение к AC-3

Подключите видео выход DVD проигрывателя к разъемам видео входа (Video, S-Video или Y Cb Cr) вашего телевизора.

Подключите цифровой выход (оптический или коаксиальный) к встроенному усилителю AC-3.
 На пульте ДУ нажмите кнопку SETUP для входа в меню установки. Навигационными кнопками на пульте ДУ выберите AUDIO OUTPUT (AUDIO OUTPUT).
 Навигационными кнопками на пульте ДУ выберите цифровой выход и выберите BISTREAM или LPCM48K.
 Повторно нажмите кнопку SETUP для сохранения выбора и [SETUP] для выхода.



Подключение к усилителю 5.1 CH



Подключите видео выход DVD проигрывателя к видео входам телевизора (Video , S-Video или Y Cb Cr). Подключите выходы 5-канального пространственного звучания 5.1. CH к аудио входам 5.1 CH звукового усилителя. Препозитивный левый, Препозитивный правый, пространственный левый, пространственный правый, центральный и сабвуфер.

Основные функции

На пульте дистанционного управления нажмите кнопку SETUP для начальных установок. При помощи навигационных кнопок выберите SETUP PAGE Выделиться выбранная функция.

Работа МЕНЮ

Вы можете установить тип аудио и видео выхода, язык экранного меню, начальные установки, родительский контроль и т.д. Также можно настроить соотношение сторон. На пульте дистанционного управления нажмите меню SETUP и система перейдет в положение останова.

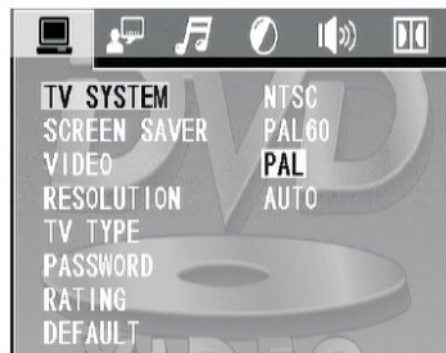
1. Страница установки

1) Настройка Системы

Нажмите кнопку Настройка и с помощью навигационных кнопок выберите настройку системы.

ТВ система

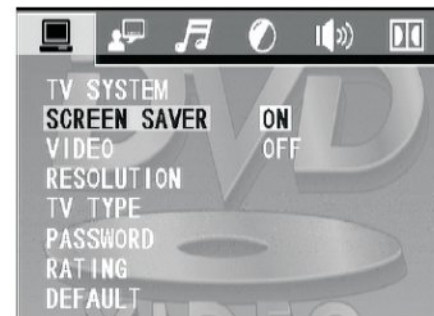
На выбор имеются несколько систем телевидения:
NTSC, PAL-M, PAL-N, PAL, AUTO.



Экранная заставка

При помощи стрелок выберите положение экранной заставки:
ВКЛ: при включенной экранной заставке, если DVD проигрыватель находится в рабочем положении (например, положение пуск/пауза или ожидания команды от пользователя больше 60 секунд), изображение ис-

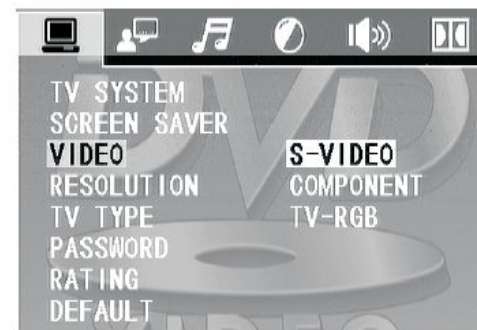
чезает и включается экранная заставка для защиты экрана телевизора.
ВЫКЛ. Экранная заставка выключена.



Видео:

Предусмотрено три режима видео выхода:

- 1) Компонентный: используйте выходы Y Cb Cr / Y Pb Pr для передачи сигнала.
- 2) TV-RGB: используйте выходы S-Video или выход композитного видео выхода для передачи сигналов этого режима.
- 3) P-SCAN YPBPR: используйте выходы Y Pb Pr для передачи сигналов и преобразования в сигнал прогрессивного сканирования.
- 4) PC-VGA: используйте режим VGA для передачи видео сигналов VGA и преобразования в сигнал прогрессивного сканирования.
- 5) S-VIDEO: используйте S-VIDEO для передачи видео сигналов.



TV Type (формат телевидения)

При помощи левой/правой кнопок выберите формат соотношения сторон телевизора:
16: 9.
16:9: широкоформатный видео выход для широких телевизоров;

4 3/LB

4:3 Формат почтовый ящик для обычного телевизора. На дисплее отображается широкое изображение с брандом, расположенным внизу и вверху экрана.

4:3/PS

4:3 Формат программирования и сканирования для обычного телевизора. На экране отображается широкое изображение с обрезанными левой и правой частями.

Password («пароль»)

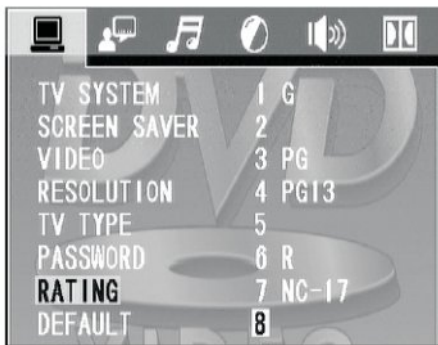
Начальная установка пароля недоступна. Вы не можете изменить рейтинг или изменить пароль. Введите изначальный пароль: 0000 и нажмите [ENTER] для подтверждения, затем введите рейтинг и измените пароль.



Рейтинг

Воспроизведение некоторых дисков может быть ограничено в зависимости от возраста пользователей. Функция родительского контроля позволяет ограничивать возраст лиц, просматривающих диск. Уровень доступа от высокого до низкого.

Уровень 1 - самый низкий уровень, уровень 8 - самый высокий уровень. Эта функция доступна только для некоторых DVD дисков. Для этого вам следует установить пароль и убедиться, что пароль не активен.



KEY
С помощью кнопок вверх/вниз можно увеличить/уменьшить уровень тональности.



Установка по умолчанию

С помощью правой кнопки со стрелкой выберите [RESTORE] (ВОССТАНОВИТЬ) и нажмите [ENTER] для возврата ко всем изначальным настройкам системы.

2) Настройка языка Язык экранного меню

При помощи кнопок вверх/вниз выберите необходимый язык экранного меню и для подтверждения нажмите [ENTER].

DVD проигрыватель поддерживает следующие языки: английский, немецкий, испанский, французский, итальянский и португальский и русский.

3) Настройки аудио Выход аудио

При помощи правой кнопки со стрелкой выберите формат воспроизведения звука: Пользователь может выбрать 1 из трех 3 форматов передачи звукового воспроизведения: SPDIF/Выкл, SPDIF /RAW и SPDIF/PCM. Если используется оптический или коаксиальный выход, выберите формат воспроизведения SPDIF/ RAW или SPDIF/PCM.



ECHO

С помощью кнопок вверх/вниз можно увеличить/уменьшить уровень эха.



4) Настройка видео Яркость

С помощью кнопок вверх/вниз настройте яркость видео изображения.



MIC VOL

С помощью кнопок вверх/вниз можно увеличить/уменьшить громкость караоке.



Контраст

С помощью кнопок вверх/вниз настройте значение контраста видео изображения.



AUDIO LANGUAGE

При помощи кнопок вверх/вниз выберите язык Аудио и для подтверждения нажмите [ENTER].

DVD проигрыватель поддерживает языки: турецкий, английский, иврит, французский, испанский, португальский, немецкий и русский.

Настройка микрофона

Правой кнопкой выберите положение функции Караоке. Караоке можно установить в положение AUTO или OFF.

Оттенок

С помощью кнопок вверх/вниз настройте значение оттенка видео изображения.



Насыщенность

С помощью кнопок вверх/вниз настройте значение насыщенности видео изображения.



5) Настройка динамиков DOWNMIX

LT/RT: если проигрывается диск, в котором не предусмотрен эффект Dolby Digital, выберите выход LT/RT. Информация на диске будет декодирована.
STEREO: при использовании выхода 5.1 Ch, передний левый и передний правый каналы получают сигналы от аудио выходов. При использовании выхода 2 Ch аудио выход получает обычный стерео сигнал.
VSS: При воспроизведении дисков со звуком 5.1 Ch основной канал может давать эффект виртуального пространственного звучания.
5.1 CH: Выход 5.1 CH активный только когда проигрыватель настроен на 5.1 CH.



Сабвуфер

Вкл: DVD проигрыватель самостоятельно находит сабвуфер. Подключите сабвуфер к аудио выходу. Выкл. Сабвуфер не включен.



Задержка центрального динамика

Вы можете настроить время задержки звучания центральной и задней колонок.



Задержка заднего динамика

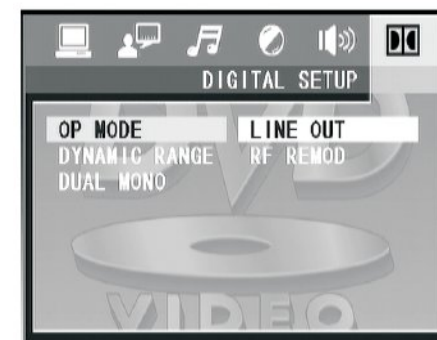
Вы можете настроить время задержки звучания задней колонки.



Цифровая НАСТРОЙКА

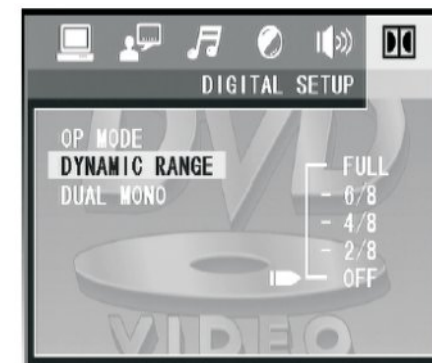
Нажмите кнопку SETUP и выберите страницу настройки динамиков при помощи кнопок вверх/вниз.

OP MODE
LINE OUT: Входные сигналы линейные и сжатые и громкость низкая. Выберите LINE OUT на ночь.
RF REMOD: Громкость выше, приспособленная к дневному режиму



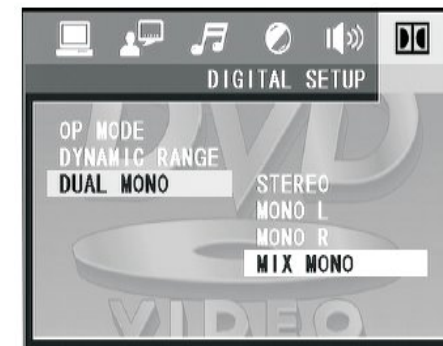
Динамический диапазон

При выборе режима LINE OUT, выберите DYNAMIC RANGE для регулировки коэффициента сжатия и различных эффектов. При настройке FULL коэффициент сжатия будет самым низким. При настройке OFF коэффициент сжатия будет самым высоким.



ДВОЙНОЕ МОНО

Вы можете настроить аудио выход правого или левого каналов. На выбор есть четыре режима: STEREO, МОНО Л, МОНО П, МИКС МОНО.



Работа с мультимедийной системой

1. DVD поддерживает: USB, JPEG, MP3, AVI, WMA, и т.д..
2. Поддержка SD, MMC, RS-MMC, MS, совместимо с JPEG, MP3, AVI, WMA, etc.
3. Работа с USB. Функция USB активна только при отсутствии диска или карты. Если USB будет в режиме готовности, мультимедийная система перейдет в режим автозагрузки.
4. Работа от карты: функция работы мультимедиа от карты памяти возможна при отключенной функции диска и USB. Мультимедийная система перейдет в режим автозагрузки при подключении карты памяти.

Примечание:

А. Функции DVD и USB могут переключаться при помощи кнопки DVD/USB на пульте дистанционного управления.
 В. DVD не поддерживает все типы мультимедийных приложений.

Исправление неисправностей

Неисправности	Возможная причина и решение
Отсутствие воспроизведения	1. Убедитесь, что установлено соединение между шнуром питания и розеткой. 2. Проверьте, включено ли питание (ON) (После использования всегда выключайте питание). 3. Проверьте, включено ли питание. 4. Убедитесь, находится ли диск внутри лотка. 5. Проверьте, правильно ли вставлен диск. Убедитесь, что диск вставлен наклейкой вверх. 6. Если диск поврежден, его необходимо поменять или почистить. 7. Внутри DVD может образовываться влага. Включите питание за 1-2 часа перед воспроизведением. 8. Не совпадает код региона. 9. Некорректный формат диска.
Отсутствие видео изображения.	1. Проверьте, включен ли телевизор и подключены кабели. 2. Убедитесь, что установки видео выходов соответствуют установкам меню настройки. 3. Проверьте, достаточно ли хорошо подключены кабели. 4. Почистите диск.
Изображение нечеткое или искажено.	1. Диск поврежден или загрязнен. 2. Перезапустите телевизор и проигрыватель. 3. Подключите проигрыватель непосредственно к телевизору без других соединений.
Изображение не на весь экран.	1. Повторно настройте телевизионную систему. 2. Выберите соответствующее соотношение сторон в меню установки.
Невозможно выбрать песню.	Невозможно определить последовательность треков на диске.
Отсутствует функция караоке.	Проверьте, включен ли режим караоке. Проверьте, включен ли регулятор громкости.
Резкий звук из микрофона.	1. Уберите микрофон от динамиков. 2. Убавьте звук телевизора и усилителя. 3. Убавьте звук микрофона.
Не работает пульт управления	1. Устраните все препятствия между пультом и проигрывателем. 2. Направляйте пульт дистанционного управления на датчик приема сигнала

	на проигрывателе. Расстояние должно быть не больше 7 м. 3. Проверьте, правильно ли вставлены батарейки в пульт ДУ. 4. Проверьте, рабочие ли батарейки. Если нет, замените их на новые.
Отсутствует звук или некачественный выходное видео изображение.	1. Убедитесь, что телевизор и усилитель включены и подключены надлежащим образом. 2. Проверьте, нет ли подключений между телевизором и усилителем. 3. Проверьте, не находится ли система в режиме без звука. 4. Нажмите кнопки L/R или LANGUAGE для выхода из этого режима. 5. Этот режим не предусматривает воспроизведение звука.

Технические характеристики:

Типы диска:	DVD/MP4/SVCD/VCD/DVCD/JPEG/KODAK CD/M P3/CD/HDCD/ CD-R/ CD-RW/ DVD-R/DVD-RW.
Формат видео: DVD: Формат звучания:	MPEG2/MPEG4;VCD:MPEG1,MPEG3 MPEG1,MPEG2,MPEG3,MPEG4,PCM, DOLBY ,DIGITAL, Virtual Stereo Virtual Surround, 5.1 ch
Выходной сигнал:	Аудио: 5.1 CH, оптический выход, коаксиальный выход. Видео: AV выход, S- Video выход, выход Y, Cb Cr, выход VGA.
Характеристики видео:	Уровень видео выхода: 1.0V p-p (75 A) Уровень выхода Y:1.0Vp-p (75 n) Уровень выхода C : 0.286Vp-p/ NTSC;0.3Vp p/PAL(75 A)
Частотная характеристика	20--20 КГц (+1dB)
Характеристики звучания: Полное искажение:	Уровень шума: > 90дБ <0.01 %
Напряжение:	220-230V, 50 Гц
Номинальная сила тока:	0,11 A
Потребляемая мощность	25 Вт

Комплектация
 DVD проигрыватель
 Инструкция по эксплуатации

1

с гарантийным талоном
 Упаковка

1

1

БЕЗОПАСНОСТЬ ОКРУЖАЮЩЕЙ СРЕДЫ. УТИЛИЗАЦИЯ

Вы можете помочь в охране окружающей среды!

Пожалуйста, соблюдайте местные правила: передавайте неработающее электрическое оборудование в соответствующий центр утилизации отходов.

Производитель оставляет за собой право вносить изменения в технические характеристики и дизайн изделия.

UA

DVD програвач

Шановний покупець! Вітаємо Вас із придбанням виробу торгівельної марки "Saturn". Ми впевнені, що наші вироби будуть вірними й надійними помічниками у Вашому домашньому господарстві.

Не піддавайте пристрій різким перепадам температур. Різка зміна температури (наприклад, внесення пристрою з морозу в тепле приміщення) може викликати конденсацію вологи всередині пристрою та порушити його працездатність при вмиканні. Пристрій повинен відстоятися в теплом приміщенні не менше ніж 1,5 години.

Введення пристрою в експлуатацію після транспортування проводиться не раніше, ніж через 1,5 години після внесення його в приміщення.

Зміст

Пульт дистанційного керування
Функціонування
Підключення систем
Підключення до ТВ (Введення AV)
S-Video вихід
Виходи Y, Pb/Cb, Pr/Cr
Підключення до функції Прогресивне сканування.
Підключення до стерео підсилювача
Підключення до АС-3 (система просторового звуку/відтворення)
Підключення до підсилювача 5.1 CH
Основні функції
Настроювання системи
Установка мови
Настроювання аудіо

Настроювання відео
Настроювання динаміків
Цифрова установка
Робота з мультимедійною системою
Усунення несправностей
Технічні характеристики

Пульт дистанційного керування



Кнопки на пульті дистанційного керування

РЕЖИМ ОЧІКУВАННЯ/ВКЛ

ЗАВАНТАЖИТИ/ВИВАНТАЖИТИ ДИСК
ВІДКРИТИ/ЗАКРИТИ ЛОТОК З ДИСКОМ

ВМИКАННЯ/ВИМИКАННЯ ЗВУКУ
ВИМИКАННЯ ЗВУКУ ПІД ЧАС ВІДТВОРЕННЯ

ВІДТВОРЕННЯ
ПОЧАТОК ВІДТВОРЕННЯ ДИСКА

ПАУЗА

Припинення відтворення диска. Зображення і звук будуть у непорушному положенні. Натисніть кнопку PLAY для повернення до звичайного відтворення.

СТОП

Припинення відтворення

ЦИФРОВІ КНОПКИ

За допомогою цих кнопок виберіть необхідну функцію.

ЧАС

За допомогою цієї кнопки вибирається час пуску відтворення. Натисніть цю кнопку і за допомогою навігаційних кнопок виберіть категорію і номер згідно уподобань заголовку, позиції або часу. Кнопкою ENTER підтвердіть вибір і почніть відтворення з місця пошуку.

Примітка:

1. Дана функція недоступна в режимі програмування.

2. При використанні цієї функції керування відтворенням автоматично відключається.

При відтворенні диска Мр3 дана функція недоступна.

PROG

У стані зупинки або відтворення натисніть кнопку PROG. Цифровими кнопками вибираються розділи або глави. Натисніть кнопку PLAY або ENTER для початку відтворення диску згідно порядку відтворення. Натисніть кнопку CLEAR і натисніть ENTER для підтвердження виходу з відтворення або двічі натисніть кнопку STOP.

SLOW

Натисканням кнопки SLOW відтворення сповільнюється. Натисніть PLAY для повернення до нормального режиму відтворення.

DISPLAY

При натисканні кнопки DISPLAY на екрані відображається час відтворення і час, що залишився до кінця.

REPEAT (ПОВТОР)

Натисніть цю кнопку для повторного відтворення обраної частини диску. При відтворенні DVD диску однократно натисніть REPEAT, на екрані відобразиться наступне:

ПОВТОР: [ВИМК] ПОВТОР: [ГЛАВА]
ПОВТОР: [ЗАГОЛОВОК].

При відтворенні SVCD /VCD /CD, на екрані відобразиться SC (функція активна тільки при вимкненні функції PBC (керування відтворення)).

ням))):

ПОВТОР: [ВИМК] ПОВТОР: [ПОВТОР1]
ПОВТОР: [ПОВТОР ВСІХ]

А-В:

Спочатку натисніть А-В для настроювання положення А: REPEAT (Повтор): А-А-

Натисніть кнопку для настроювання положення В - буде відтворення двох положень: REPEAT (Повтор): А-В:

Натисніть кнопку А-ВТРЕТЕ для скасування функції й повернення до звичайного відтворення. ПОВТОР: СКАСУВАННЯ

КРОК

Натисніть цю кнопку для послідовно відтворення картинок на екрані. Натисніть PLAY для повернення до нормального режиму відтворення.

УВЕДЕННЯ/НАВІГАЦІЙНІ КНОПКИ

Підтверджуйте ваш вибір за допомогою навігаційних кнопок

SETUP

Натисніть кнопку SETUP для входу в меню Настроювання

REV & FWD

Натисніть кнопку REV / FWD для переходу в положення Прискореного відтворення вперед /Прискореного відтворення назад.

На екрані відобразиться процес зміни швидкості
2X , 4X , 8X , 20X

ЗАГОЛОВОК

Натисніть кнопку TITLE - відтворення диска припиниться й вернеться до меню Заголовка. За допомогою кнопок напрямків виберіть заголовок.

КУТ

Натисніть кнопку для вибору кута огляду при відтворенні диска з декількома кутами огляду.

НАСТУПНИЙ/ПОПЕРЕДНИЙ

Кнопка NEXT/PREV призначена для переходу до наступного або попереднього фрагмента під час відтворення.

МОВА

Під час відтворення DVD дисків виберіть воліється язык, що, якщо DVD диск має більше двох мов.

VOL

Натисніть кнопку VOL - для зменшення гучності звучання.
Натисніть кнопку VOL + для збільшення гучності звучання.

PBC (КЕРУВАННЯ ВІДТВОРЕННЯМ)

Ця функція доступна тільки для Video-CD версії 2.0. або вище. Функція PBC може відрізнятись для різних типів дисків. При включеній функції PBC можна вибирати команди через список меню з використанням кнопок PREV і NEXT і цифрових кнопок. Якщо функція PBC виключена, команди списку меню недоступні, але доступні із цифрових кнопок або за допомогою кнопок PREV і NEXT.

MENIU

Натисніть кнопку MENU для повернення в DVD меню.

SUBTITLE (СУБТИТРИ)

При відтворенні диска DVD або SVCD із субтитрами натисніть цю кнопку. Типи й номери субтитрів визначаються виробником DVD. На DVD диску встановлений максимум 32 типу субтитрів і на SVCD диску встановлено не більше 4 типів субтитрів.

ПОВЕРНЕННЯ

Натисніть цю кнопку для повернення в VCD меню.

R/L

Перемикання режиму звучання
При відтворенні дисків SVCD або VCD натисніть кнопку R/L для зміни каналів:
STEREO ---MONOL --MONO R ---AUTO L
---AUTO R
При відтворенні CD або MP3 перемикайте режим звучання в MONO L, MONO R або STEREO.

P/N

Натисніть кнопку P/N для зміни системи відтворення.

RESUME

Якщо під час відтворення диска була натиснута кнопка STOP, кнопкою RESUME відновлюється відтворення. Натисніть кнопку RESUME для продовження відтворення з місця зупинки. Кнопка PLAY при цьому заблокована.

ZOOM (Масштабування)

Натисніть кнопку ZOOM для збільшення або зменшення зображення на екрані. Зображення відобразиться в обраному Вами масштабі. Ви також можете переміщати зображення за допомогою навігаційних клавіш.

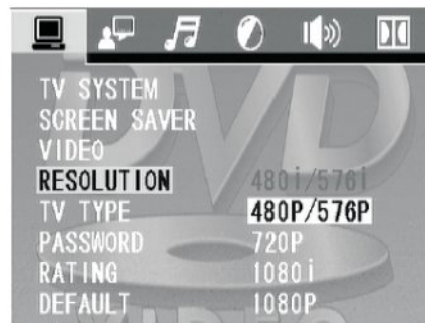
ZOOM 1 ZOOM 2 ZOOM 3 ZOOM 4
ZOOM ВІМК

V-MODE

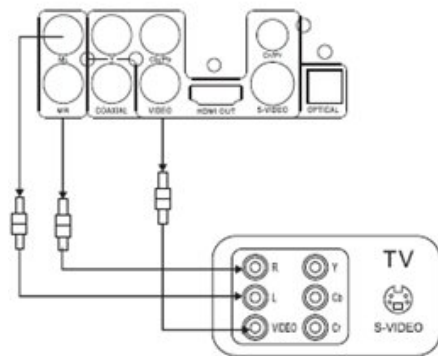
Даною кнопкою виберіть відео вихід: "COMPONENT", "COMPONENT PROGRESSIVE" або "HDMI".
Примітка: при натисканні кнопки зображення пропадає. Натискайте цю кнопку безупинно до появи зображення. З появою перешкод або відсутності зображення натисніть кнопку "V.MODE" для коректування.

Настроювання за замовчуванням

Вони дозволяють запустити знову встановлені настроювання, замінивши їхніми заводськими настроюваннями (за винятком пароля). На пульті ДК виберіть команду Default і натисніть кнопку Enter перезавантаження.



Підключення систем Підключення до телевізора Виходи Composite Video (Введення AV)



Кабель AV входить у стандартний комплект DVD програвача.

Підключіть відео вихід DVD програвача до відео входу телевізора (жовтий).

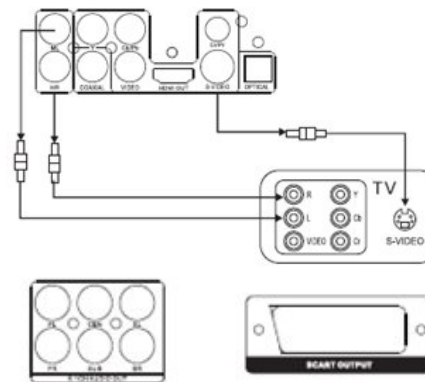
Підключіть кожний аудіо вихід DVD програвача до входу телевізора (білий для лівого динаміка, а червоний - для правого динаміка).

При підключенні телевізора до DVD див. інструкцію для експлуатації телевізора.

Якщо Ваш телевізор не обладнаний портом AV, використовуйте зовнішній декодер або гніздо для антени. Настройте канали і частоту на максимально чітке зображення і звучання.

Перемикайте режим PAL або NTSC при відтворенні різних видів дисків.

S-Video вихід

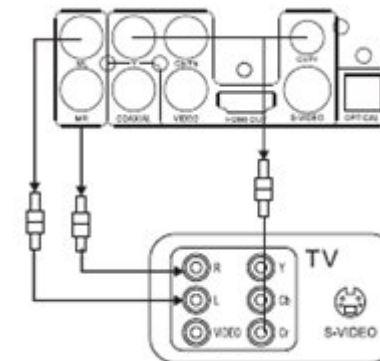


S-Video вихід - опція, що не входить у стандартну комплектацію. Підключіть DVD програвач до телевізора за допомогою S-video кабелю замість звичайного відео кабелю. На екрані відобразиться чітке зображення.

Підключіть кожний аудіо вихід DVD програвача (білий для лівого динаміка,

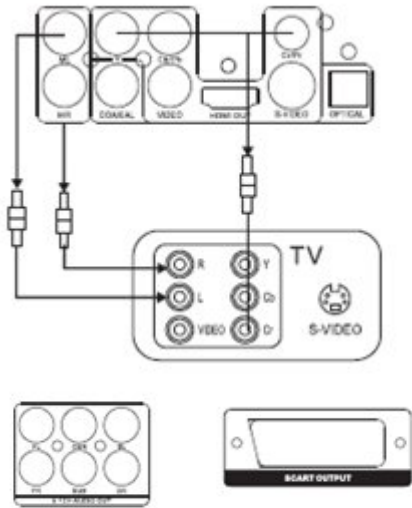
а червоний - для правого динаміка). При підключенні див. інструкцію з експлуатації телевізора.

Виходи Y, Pb/Cb, Pr/Cr

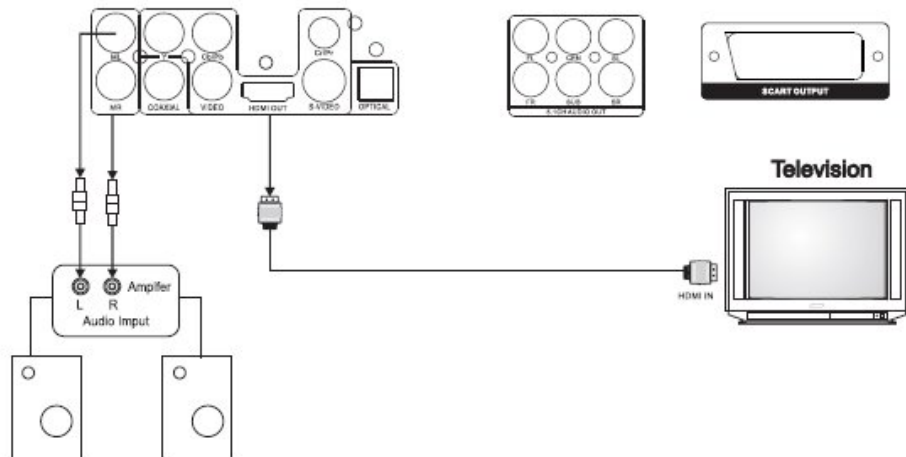


Вихід Y Cb Cr- опція, що не входить у стандартну комплектацію. Підключіть контакти гнізда Y,Cb,Cr кабелю до входів Y,Cb,Cr телевізора. Підключіть кожний аудіо вихід DVD програвача до входу телевізора (білий для лівого динаміка, а червоний - для правого динаміка).

Підключення до функції "Прогресивне сканування"



Якщо в телевізорі є гніздо Y, Cb, Cr, підключіть до DVD за допомогою гнізд Y, Cb, Cr. Якість зображення поліпиться. Підключіть кожний аудіо вихід DVD



Підключення пристроїв до HDMI виходу

Підключення DVD до пристрою: для отримання найбільш чіткого зображення дотримуйтесь посібника і використовуйте кабелі, що найбільше підходять для вашого телевізора:
 Нормальне зображення:
 Composite video:

програвача до входу телевізора (білий для лівого динаміка, а червоний - для правого динаміка).
 При підключенні телевізора до progressive scan, меню установки YUV, RGB

аналогічно меню установки Y, Cb, Cr або VGA:

YUV = Y, Cb, Cr

RGB = VGA

Наприклад: Підключення до Y, Cb, Cr

1. Підключіть кабель до відео виходу.
 2. Виберіть YUV режим відео виходу DVD.

На пульті дистанційного керування переведіть DVD у режим progressive, натиснувши відповідну кнопку.

4. Перемкніть телевізор з режиму прогресивного сканування (progressive scan) у режим Y, Cb, Cr.

Підключення до стерео підсилювача

Підключіть відео виходи DVD до відео входів (Video, S-Video або Y/ Cb / Cr) телевізора.

Підключіть аудіо виходи (лівий і правий) DVD до входів - лівому (білий) і правий (червоний).

Гарне: S-video
 Краще: Компонентне відео:
 Краще HDMI відео

Відтворення з HD DVD:

DVD плеєр перетворить DVD диски у найкращу роздільну здатність HDTV для Вашого телевізора: 480p, 720p, 576p або 1080i.

Вихід HDMI: використовуйте цей вихід для відтворення зображення в HD режимі разом із чудовим звуком.

Підключення до AC-3

Підключіть відео вихід DVD програвача до гнізд відео входу (Video, S-Video або Y Cb Cr) вашого телевізора.

Підключіть цифровий вихід (оптичний або коаксіальний) до вбудованого підсилювача AC-3.

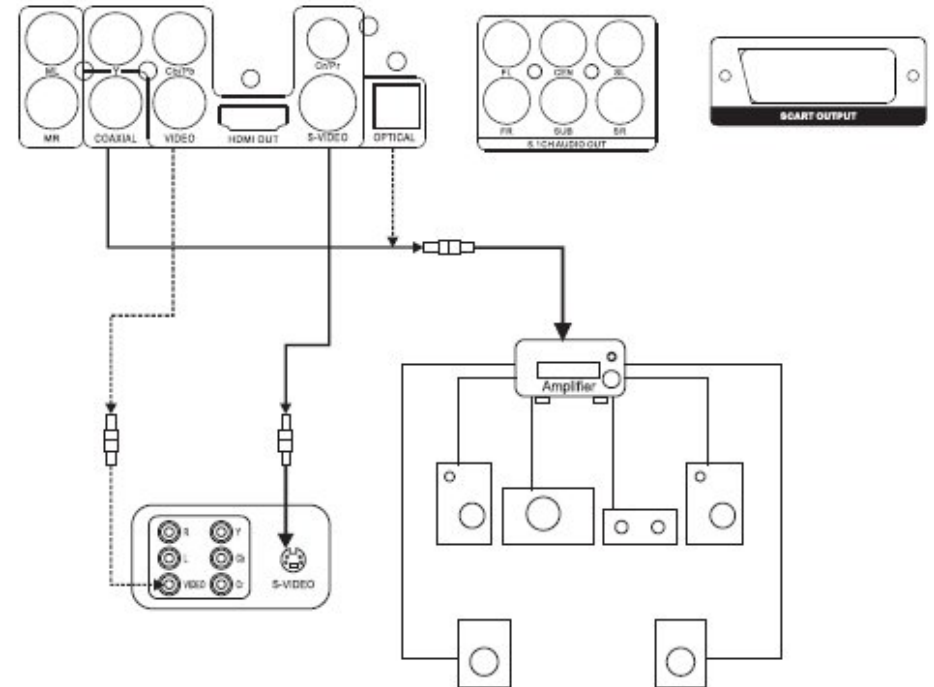
На пульті ДК натисніть кнопку SETUP

для входу в меню установки.

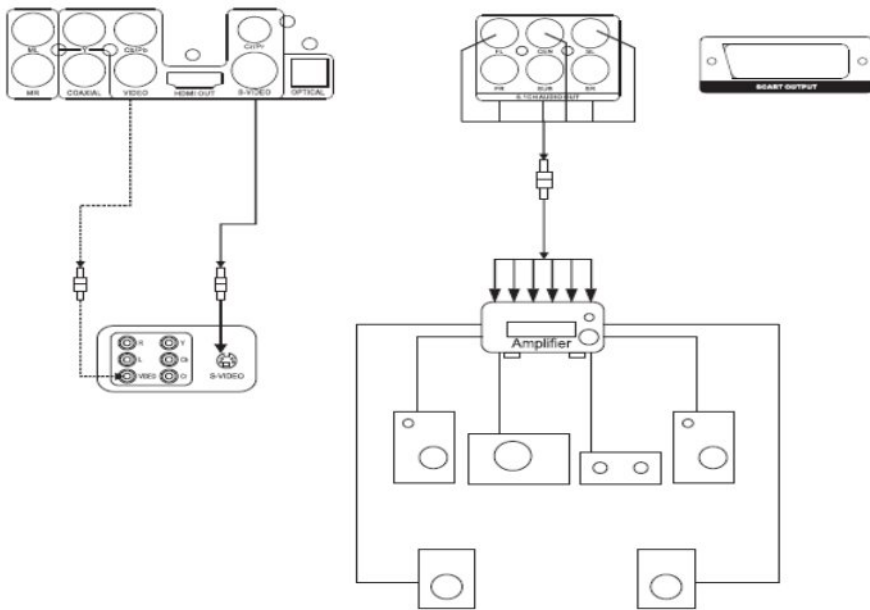
Навігаційними кнопками на пульті ДК виберіть AUDIO OUTPUT (AUDIO OUTPUT).

Навігаційними кнопками на пульті ДК виберіть цифровий вихід і виберіть BISTREAM або LPCM48K.

Повторно натисніть кнопку SETUP для збереження вибору і [SETUP] для виходу.



Підключення до підсилювача 5.1 CH



ритель настроювання системи.

Підключіть відео вихід DVD програвача до відео входів телевізора (Video, S-Video або Y Cb Cr). Підключіть виходи 5-канального просторового звучання 5.1. CH до аудіо входів 5.1 CH звукового підсилювача: препозитивний лівий, препозитивний правий, просторовий лівий, просторовий правий, центральний і сабвуфер.

ОСНОВНІ ФУНКЦІЇ

На пульті дистанційного керування натисніть кнопку SETUP для початкових установок. За допомогою навігаційних кнопок виберіть SETUP PAGE. Виділити-ся обрана функція.

РОБОТА МЕНЮ

Ви можете встановити тип аудіо і відео виходу, мову екранного меню, початкові установки, батьківський контроль і т.д.

Також можна настроїти співвідношення сторін.

На пульті дистанційного керування натисніть меню SETUP і система перейде в положення зупинки.

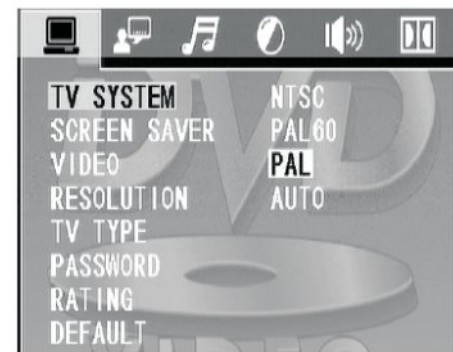
1. Сторінка установки

1) НАСТРОЮВАННЯ СИСТЕМИ

Натисніть кнопку Настроювання і за допомогою навігаційних кнопок вибе-

ТВ система

На вибір є кілька систем телебачення: NTSC, PAL-M, PAL-N, PAL, AUTO.



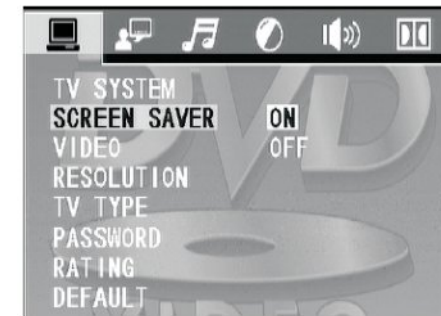
ЕКРАННА ЗАСТАВКА

За допомогою стрілок оберіть положення екранної заставки:

УВІМК: при увімкненій екранній заставці, якщо DVD програвач перебуває в робочому положенні (наприклад, положення пуск/пауза або очікування команди від користувача більше 60 секунд), зображення зникає і вмикається

екранна заставка для захисту екрана телевізора.

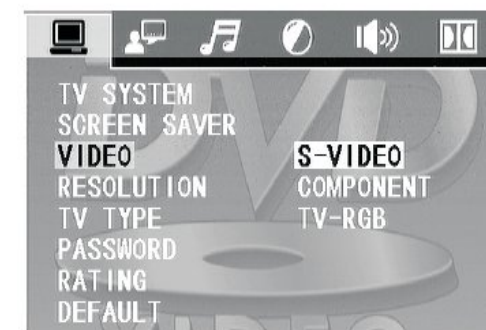
УВІМК: екранна заставка вимкнена.



ВІДЕО:

Передбачено три режими відео виходу:

- 1) Компонентний: використовуйте виходи Y Cb Cr / Y Pb Pr для передачі сигналу.
- 2) TV-RGB: використовуйте виходи S-Video або вихід композитного відео виходу для передачі сигналів цього режиму.
- 3) P-SCAN YPBPR: використовуйте виходи Y Pb Pr для передачі сигналів і переведення в сигнал прогресивного сканування.
- 4) PC-VGA: використовуйте режим VGA для передачі відео сигналів VGA і перетворення в сигнал прогресивного сканування.
- 5) S-VIDEO: використовуйте S-VIDEO для передачі відео сигналів.



TV TYPE (ФОРМАТ ТЕЛЕБАЧЕННЯ)

За допомогою лівої/правої кнопок виберіть формат співвідношення сторін телевізора:

- 16:9.
- 16:9: широкоформатний відео вихід для широких телевізорів;
- 4 3/LB

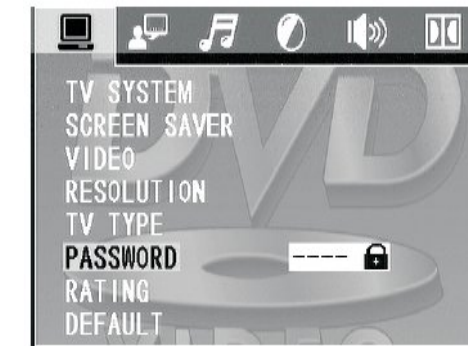
4:3 Формат поштової скриньки для звичайного телевізора. На дисплеї відображається широке зображення з брендом, розташованим внизу і вгорі екрана.

4:3/PS

4:3 Формат програмування і сканування для звичайного телевізора. На екрані відображається широке зображення з обрізаними лівою і правою частинами.

PASSWORD («ПАРОЛЬ»)

Початкова установка пароля недоступна. Ви не можете змінити рейтинг або змінити пароль. Введіть початковий пароль: 0000 і натисніть [ENTER] для підтвердження, потім введіть рейтинг і змініть пароль.



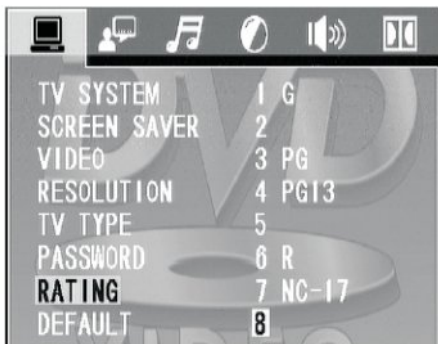
РЕЙТИНГ

Відтворення деяких дисків може бути обмежене залежно від віку користувачів. Функція батьківського контролю дозволяє обмежувати вік осіб, що переглядають диск.

Рівень доступу від високого до низького.

Рівень 1 - найнижчий рівень, рівень 8 - найвищий рівень. Ця функція доступна тільки для деяких DVD дисків.

Для цього вам потрібно установити пароль і переконатися, що пароль не активний.



УСТАНОВКА ЗА ЗАМОВЧУВАННЯМ

За допомогою правої кнопки зі стрілкою виберіть [RESTORE] (ВІДНОВИТИ) і натисніть [ENTER] для повернення до всіх початкових налаштувань системи.

2) НАСТРОЮВАННЯ МОВИ МОВА ЕКРАННОГО МЕНЮ

За допомогою кнопок вгору/вниз виберіть необхідну мову екранного меню і для підтвердження натисніть [ENTER]. DVD програвач підтримує наступні мови: англійська, німецька, іспанська, французька, італійська, португальська і російська.



AUDIO LANGUAGE

За допомогою кнопок вгору/вниз виберіть мову Аудіо і для підтвердження натисніть [ENTER]. DVD програвач підтримує мови: турецька, англійська, іврит, французька, іспанська, португальська, німецька і російська.



3) НАСТРОЮВАННЯ АУДІО

Вихід аудіо

За допомогою правої кнопки зі стрілкою виберіть формат відтворення звуку; користувач може вибрати 1 із трьох 3 форматів передачі звукового відтворення: SPDIF/ BИMK, SPDIF /RAW і SPDIF/PCM.

Якщо використовується оптичний або коаксіальний вихід, виберіть формат відтворення SPDIF/ RAW або SPDIF/PCM.



НАСТРОЮВАННЯ МІКРОФОНУ

Правою кнопкою виберіть положення функції Караоке. Караоке можна встановити в положення AUTO або OFF.



ECHO

За допомогою кнопок вгору/вниз можна збільшити/зменшити рівень луни.



MIC VOL

За допомогою кнопок вгору/вниз можна збільшити/зменшити гучність караоке



KEY

За допомогою кнопок вгору/вниз можна

збільшити/зменшити рівень тональності.



4) НАСТРОЮВАННЯ ВІДЕО ЯСКРАВІСТЬ

За допомогою кнопок вгору/вниз налашуйте яскравість відео зображення



КОНТРАСТ

За допомогою кнопок вгору/вниз налашуйте значення контрасту відео зображення.



ВІДТІНОК

За допомогою кнопок вгору/вниз настройте значення відтінку відео зображення.



НАСИЧЕНІСТЬ

За допомогою кнопок вгору/вниз настройте значення насиченості відео зображення.



5) НАСТРОЮВАННЯ ДИНАМІКІВ DOWNMIX

LT/RT: якщо відтворюється диск, у якому не передбачений ефект Dolby Digital, оберіть вихід LT/RT. Інформація на диску буде декодована.

STEREO: при використанні виходу 5.1 Ch, передній лівий і передній правий канали отримують сигнали від аудіо виходів. При використанні виходу 2 Ch аудіо вихід отримує звичайний стерео сигнал.

VSS: При відтворенні дисків зі звуком 5.1 Ch основний канал може давати ефект віртуального просторового звучання.

5.1 CH: вихід 5.1 CH активний тільки коли програвач настроєний на 5.1 CH.



Сабвуфер

УВІМК: DVD програвач самостійно знаходить сабвуфер. Підключіть сабвуфер до аудіо виходу. Вимк. сабвуфер не увімкнений.



ЗАТРИМКА ЦЕНТРАЛЬНОГО ДИНАМІКА

Ви можете настроїти час затримки звучання центральної і задньої колонок.



ЗАТРИМКА ЗАДНЬОГО ДИНАМІКА

Ви можете настроїти час затримки зву-

чання задньої колонки.



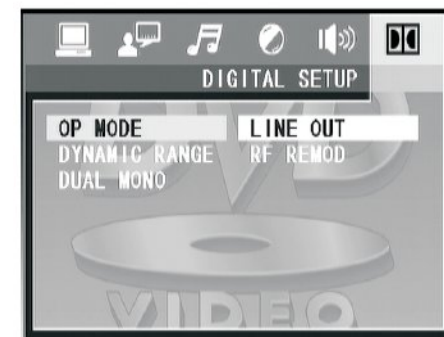
ЦИФРОВА НАСТРОЙКА

Натисніть кнопку SETUP і виберіть сторінку настроювання динаміків за допомогою кнопок вгору/вниз

OP MODE

LINE OUT: вхідні сигнали лінійні і стилі і гучність низька. Оберіть LINE OUT на ніч.

RF REMOD: Гучність більша і пристосована до ланного режиму.



ДИНАМІЧНИЙ ДІАПАЗОН

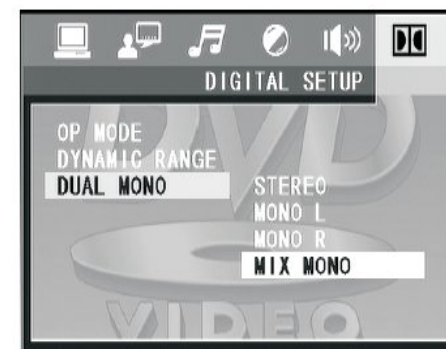
При виборі режиму LINE OUT, виберіть DYNAMIC RANGE для регулювання коефіцієнта стиснення і різних ефектів. При настроюванні FULL коефіцієнт стиснення буде найнижчим. При настроюванні OFF коефіцієнт стиснення буде найвищим.



ПОВІЙНЕ МОНО

Ви можете настроїти аудіо вихід правого або лівого каналів.

На вибір є чотири режими: СТЕРЕО, МОНО Л, МОНО П, МІКС МОНО.



РОБОТА З МУЛЬТИМЕДІЙНОЮ СИСТЕМОЮ

1. DVD підтримує: USB, JPEG, MP3, AVI, WMA, і т.д..

2. Підтримка SD, MMC, RS-MMC, MS, сумісна з JPEG, MP3, AVI, WMA, etc.

3. Робота з USB. Функція USB активна лише при відсутності диска або карти. Якщо USB буде в режимі готовності, мультимедійна система перейде в режим автозавантаження.

4. Робота від карти: функція роботи мультимедіа від карти пам'яті можлива при відключеній функції диску і USB. Мультимедійна система перейде в режим автозавантаження при підключенні карти пам'яті.

Примітка:

A. Функції DVD і USB можуть перемикатися за допомогою кнопки DVD/USB на пульті дистанційного керування.

B. DVD не підтримує всі типи мультимедійних додатків.

Виправлення несправностей

Несправності	Можлива причина і рішення
Відсутність відтворення	<p>1. Переконайтесь, що встановлено з'єднання між шнуром живлення і розеткою.</p> <p>2. Перевірте, чи увімкнене живлення (ON) (Після використання завжди вимикайте живлення).</p> <p>3. Перевірте, чи увімкнене живлення.</p> <p>4. Переконайтесь, чи є диск всередині лотка.</p> <p>5. Перевірте, чи правильно вставлений диск.</p> <p>Переконайтесь, що диск вставлений наклейкою догори.</p> <p>6. Якщо диск ушкоджений, його необхідно замінити або почистити.</p> <p>7. Всередині DVD може утворюватися волога.</p> <p>Увімкніть живлення за 1-2 години перед відтворенням.</p> <p>8. Не збігається код регіону.</p> <p>9. Некоректний формат диска.</p>
	<p>3. Перевірте, чи досить добре підключені кабелі.</p> <p>4. Почистіть диск.</p>
	<p>Зображення нечітке або перевернуто.</p> <p>1. Диск ушкоджений або забруднений.</p> <p>2. Запустіть знову телевізор і програвач.</p> <p>3. Підключіть програвач безпосередньо до телевізора без інших з'єднань.</p>
	<p>Зображення не на весь екран.</p> <p>1. Повторно налаштруйте телевізійну систему.</p> <p>2. Виберіть відповідне співвідношення сторін в меню установки.</p>
	<p>Неможливо вибрати пісню.</p> <p>Неможливо визначити послідовність треків на диску.</p>
	<p>Відсутня функція караоке.</p> <p>Перевірте, чи увімкнений режим караоке.</p> <p>Перевірте, чи увімкнений регулятор гучності.</p>
Відсутність відео зображення.	<p>Різкий звук з мікрофона.</p> <p>1. Приберіть мікрофон від динаміків.</p> <p>2. Зменште звук телевізора і підсилювача.</p> <p>3. Зменште звук мікрофона.</p>
	<p>Не працює пульт керування</p> <p>1. Приберіть всі перешкоди між пультом і програвачем.</p> <p>2. Направляйте пульт дистанційного керування на датчик прийому сигналу на програвачі. Відстань</p>

	<p>повинна бути не більше 7 м.</p> <p>3. Перевірте, чи правильно вставлені батарейки в пульт ДК.</p> <p>4. Перевірте, чи працюють батарейки. Якщо ні, поміняйте їх на нові.</p>
Відсутній звук або неякісний вихідне відео зображення.	<p>1. Переконайтесь, що телевізор і підсилювач увімкнені і підключені належним чином.</p> <p>2. Перевірте, чи немає підключень між телевізором і підсилювачем.</p> <p>3. Перевірте, чи не перебуває система в режимі без звуку.</p> <p>4. Натисніть кнопки L/R або LANGUAGE для виходу з цього режиму.</p> <p>5. Цей режим не передбачає відтворення звуку.</p>

Технічні характеристики:	
Типи диска:	DVD/MP4/SVCD/VCD/DVC D/JPEG/KODAK CD/M P3/CD/HDCD/ CD-R/ CD-RW/ DVD-R/DVD-RW.
Формат відео: DVD: Формат звучання:	MPEG2/MPEG4;VCD:MPEG 1,MPEG3 MPEG1,MPEG2,MPEG3,MPEG4,PCM, DOLBY, DIGITAL, Virtual Stereo Virtual Surround, 5.1 ch
Вихідний сигнал:	Адіо: 5.1 CH, оптичний вихід, коаксальний вихід. Відео: AV вихід, S-S-Video вихід, вихід Y, Cb, Cr, вихід VGA.

Характеристики відео:	Рівень відео виходу: 1.0V p-p (75 A) Рівень виходу Y:1.0 Vp-p (75 n) Рівень виходу C : 0.286 Vp-p/ NTSC;0.3Vp p/PAL(75 A)
Частотна характеристика	20--0--20 (+1dB)
Характеристики звучання: Повне спотворення:	Рівень шуму: > 90дБ <0.01 %
Напруга:	220-230 В, 50 Гц
Номінальна сила струму:0,11 А	0,11 А
Споживана потужність	25 Вт

Комплектація

DVD програвач	1
Інструкція з експлуатації з гарантійним талоном	1
Упаковка	1

БЕЗПЕКА НАВКОЛИШНЬОГО СЕРЕДОВИЩА. УТИЛІЗАЦІЯ

Ви можете допомогти в охороні навколишнього середовища!



Будь ласка, дотримуйтесь місцевих правил: передавайте непрацююче електричне обладнання у відповідний центр утилізації відходів.

Виробник залишає за собою право вносити зміни в технічні характеристики й дизайн виробів.

Saturn®

**МЕЖДУНАРОДНЫЕ ГАРАНТИЙНЫЕ
ОБЯЗАТЕЛЬСТВА**

**INTERNATIONAL MANUFACTURER'S
WARRANTY**

**МІЖНАРОДНІ ГАРАНТІЙНІ ЗОБОВ'Я-
ЗАННЯ**

MEZINÁRODNÍ ZÁRUKA

GB

INTERNATIONAL MANUFACTURER'S WARRANTY

The Warranty is provided for the period of 2 years or more if the Law on User Right of the country where the appliance was bought provides for a greater minimum warranty period.

All terms of warranty comply with to the Law on Protection of the Consumer Rights and are governed by the legislation of the country where the product was bought. The warranty and free of charge repair are provided in any country where the product is delivered to by Saturn Home Appliances or authorized representative thereof, and where no restriction of import or other legal provisions interfere with rendering of warranty services and free of charge repair.

Cases uncovered by the warranty and free of charge repair:

1. Guarantee coupon is filled in improperly.
2. The product has become inoperable because of the Buyer's nonobservance of the service regulations indicated in the instruction.
3. The product was used for professional, commercial or industrial purposes (except for the models, specially intended for this purpose that is indicated in the instruction).
4. The product has external mechanical damage or damage caused by penetration of the liquid inside, dust, insects and other foreign objects.
5. The product has damages caused by non-observance of the rules of power supply from batteries, mains or accumulators.
6. The product was exposed to opening, repair or modification of design by the persons, unauthorized to repair; independent cleaning of internal mechanisms etc. was made.
7. The product has natural wear of parts with limited service life, expendables etc.
8. The product has deposits of scale inside or outside of fire-bar elements, irrespective of used water quality.
9. The product has damages caused by effect of high (low) temperatures or fire on non-heat resistant parts of the product.
10. The product has damages of accessories and nozzles which are included into the complete set of product shipment (filters, grids, bags, flasks, cups, covers, knives, sealing rings, graters, disks, plates, tubes, hoses, brushes, and also power cords, headphone cords etc.).

On the warranty service and repair, please contact the authorized service centers of Saturn Home Appliances.

МЕЗИНАРОДНІ ЗАРУКА

Зарука се poskytuje na dobu 2 roky. V případě že Zákon na ochranu spotřebitele dané země nařizuje delší dobu, prodlužuje se záruka na tuto dobu.

Veškeré záruční podmínky odpovídají Zákonu o ochraně práv uživatelů a jsou řízené zákonodárstvím státu, kde byl výrobek koupen.

Záruka a bezplatná oprava se poskytují v každém státě, kam jsou výrobky dodané společností „Saturn Home Appliances“ nebo jejím zplnomocněným zástupcem a kde nejsou žádná omezení na dovoz nebo jiné právní předpisy omezující poskytnutí záručního servisu a bezplatné opravy.

Пřípady, na které se záruka a bezplatná oprava nevztahují

1. Záruční list je vyplněn nesprávně.
2. Výrobek byl poškozen kvůli tomu, že zákazník nesplnil pravidla použití, která jsou uvedena v návodu.
3. Výrobek byl používán k profesionálním, komerčním nebo průmyslovým cílům (kromě modelů speciálně určených pro tyto cíle, což je uvedeno v návodu).
4. Výrobek má vnější mechanická poškození nebo poškození, vyvolaná tím, že se dovnitř dostala tekutina, prach, hmyz a jiné cizí předměty.
5. Výrobek má poškození, která jsou vyvolaná nesplněním pravidel napájení od baterií, sítě nebo akumulátorů.
6. Výrobek rozebírali, opravovali nebo měnili jeho konstrukci lidé, kteří nebyli zplnomocněni k opravě, bylo provedeno samostatné čištění vnitřních mechanismů a pod.
7. Výrobek má přirozené opotřebení dílů s omezenou dobou použití, spotřebních materiálů atd.
8. Výrobek má vrstvu usazeniny uvnitř nebo zvenku termoelektrických ohříváčů, bez ohledu na kvalitu používané vody.
9. Výrobek má poškození, která jsou vyvolaná působením vysokých (nízkých) teplot nebo ohně na termonestabilní části výrobku.
10. Výrobek má poškození příslušenství a nástavce, které jsou dodané spolu s výrobkem (filtry, síťky, sáčky, baňky, misky, víka, nože, šlehače, struhadla, kotouče, talíře, trubky, hadice, kartáče a také síťové šňůry, sluchátkové šňůry atd.).

V otázkách záručního servisu a oprav se obraťte na autorizovaná servisní střediska společnosti „Saturn Home Appliances“.

МЕЖДУНАРОДНЫЕ ГАРАНТИЙНЫЕ ОБЯЗАТЕЛЬСТВА

Гарантия на изделие предоставляется на срок 2 года или более в случае, если Законом о защите прав потребителей страны, в которой было приобретено изделие, предусмотрен больший минимальный срок гарантии.

Все условия гарантии соответствуют Закону о защите прав потребителей и регулируются законодательством страны, в которой приобретено изделие. Гарантия и бесплатный ремонт предоставляются в любой стране, в которую изделие поставляется компанией «Saturn Home Appliances» или ее уполномоченным представителем, и где никакие ограничения по импорту или другие правовые положения не препятствуют предоставлению гарантийного обслуживания и бесплатного ремонта.

Случаи, на которые гарантия и бесплатный ремонт не распространяются:

1. Гарантийный талон заполнен неправильно.
2. Изделие вышло из строя из-за несоблюдения Покупателем правил эксплуатации, указанных в инструкции.
3. Изделие использовалось в профессиональных, коммерческих или промышленных целях (кроме специально предназначенных для того моделей, о чем указано в инструкции).
4. Изделие имеет внешние механические повреждения или повреждения, вызванные попаданием внутрь жидкости, пыли, насекомых и др. посторонних предметов.
5. Изделие имеет повреждения, вызванные несоблюдением правил питания от батарей, сети или аккумуляторов.
6. Изделие подвергалось вскрытию, ремонту или изменению конструкции лицами, не уполномоченными на ремонт; производилась самостоятельная чистка внутренних механизмов и т.д.
7. Изделие имеет естественный износ частей с ограниченным сроком службы, расходных материалов и т.д.
8. Изделие имеет отложение накипи внутри или снаружи ТЭНов, независимо от качества используемой воды.
9. Изделие имеет повреждения, вызванные воздействием высоких (низких) температур или огня на нетермостойкие части изделия.
10. Изделие имеет повреждения принадлежностей и насадок, входящих в комплект поставки изделия (фильтров, сеток, мешков, колб, чаш, крышек, ножей, венчиков, терок, дисков, тарелок, трубок, шлангов, щеток, а также сетевых шнуров, шнуров наушников и т.д.).

По вопросам гарантийного обслуживания и ремонта обращайтесь в специализированные сервисные центры фирмы «Saturn Home Appliances».

Город, адрес	Название АСЦ	Телефон	МБТ	Сплит-системы	LCD	СМА	Мороз. лари
г. Альметьевск, ул. К. Цеткин, д.18а	Сервисный Центр ИП Валиуллин М.Р.	т. 8(8553) 32-22-11, м.т. 8-960-047-22-11	V+	V+	V+	V+	V+
г. Анапа, ул. Астраханская, д. 98	СЦ "СПЕКТР-СЕРВИС"	т. 8(86133) 6-09-84, т.м. 8-918-215-57-75	V+	V+	V+	V+	V+
г. Апшеронск, Краснодарский край, ул. Ворошилова, 109	Абсолют-сервис	т. 8(86152)2-81-99	V+	V+	V+	V+	V+
г.Архангельск, ул. Котласская, д.1, корп. 1, офис12	"ВЕГА-29"	т. 8(8182) 44-15-55,	V+				
г. Астрахань, ул. Савушкина, д.47	ООО ПКЦ «ВДВ»	т.8(8512)25-19-39, т.8(8512) 25-12-00	V+	V+	V+		V+
г. Астрахань, ул. Маскаковой, д. 16, 2 этаж, комн.7	СЦ "Ремонтная Бригада"	т. 8(8512) 54-67-67, т. 8(8512) 54-91-91		V+			
г. Ахтубинск, м-н Мелиораторов, д.15	ООО "Ковчег"	т. 8(85141) 3-61-25	V+	V+	V+	V+	V+
г. Ахтубинск, ул. Панфилова, д. 32	Сервисный Центр ИП Комаров Николай	м.т. 8-927-552-47-21, м.т. 8-937-122-13-99				V+	V+
г. Барнаул, ул. Пролетарская, д.113	ООО "Диод"	т.8(3852) 63-94-02	V+		V+	V+	V+
г. Батайск, пер. Книжный, д.9, кв.25	ИП Кулешов А.П.	м.т.8-905-425-60-4-73	V+	V+	V+		
г. Батайск, ул. Матросова, д. 37	Центральный Сервисный Центр	т. 8(8635) 47-47-72, т. 8(8635) 47-47-72	V+	V+	V+	V+	V+

г. Белореченск, ул. Мира, д.63	ООО "Дело техники"	т. 8(86155)3-11-00, м.т. 8-918-980-64-75	V+	V+	V+	V+	V+
г. Буденновск, ул. Октябрьская, д. 84	ИП Цивенов Д.С.	т. 8(86559) 2-08-02, т. 8(86559)5-29-71	V+	V+	V+	V+	V+
г. Волгоград, пр. Ленина, д. 58	"Сервис. ГИМ"	т. 8(8442) 23-41-36, т. 8(937) 717-93-34	V+		V+		
г. Волгоград, ул. Елецкая, д. 173	АСЦ "Классика"	т. 8(8442) 97-50-10, т. 8-960-883-59-00			V+		
г. Волгоград, ул. Томская, д. 4а	ИП Спицын С.В.	т. 8(8442) 98-16-47, т. 8(8442) 53-06-04	V+	V+	V+	V+	V+
Волгоградская обл., Калачевский р-н п. Береславка,	Сервисный Центр "ТехноБыт"	м.т. 8-961-688-53-48			V+		
Волгоградская обл., р.п. Быково, ул. Калинина, д. 9	Сервисный Центр ИП Рахимов Ренат	м.т. 8-927-521-52-00			V+	V+	V+
Волгоградская обл., п. Елань, ул. Л. Толстого, д. 32	Сервисный Центр ИП Егоров Юрий	м.т. 8-937-722-68-12				V+	V+
Волгоградская обл., р.п. Октябрьский, ул. Кругликова, д. 158	Сервисный Центр ИП Макеев Юрий	м.т. 8-937-730-66-03			V+	V+	V+
Волгоградская обл., г. Суровикино	Сервисный Центр ИП Караичев Алексей	м.т. 8-904-404-14-55				V+	V+
г. Волгодонск, Ростовская обл., пр-т. Строителей, д. 12/15	СЦ "Master"	м.т. 8-928-126-63-66	V+		V+		

г. Волжский, ул. 77-й Гвардейской, д. 65А	"Сервис.ГИМ"	т. 8(937) 717-93-36	V+		V+		
г. Вологда, ул. Чернышевского, д. 65	"Ремонт бытовой техники"	т. 8(8172) 70-03-45, т. 8(8172) 54-21-54	V+		V+	V+	V+
Вологодская обл., п. Рубцово, д. 1а	ООО "МИГ"	т. 8(8172) 52-72-51	V+		V+		
г. Воронеж, ул. Плехановская, д. 40	"Воронеж-Сервис"	т.8(4732) 71-31-84	V+		V+	V+	
г. Георгиевск, ул. Калинина, д. 140/1	ИП Пономаренко Р.Р.	т. 8(87951) 6-47-93, м.т. 8-928- 654-28-01		V+			
г. Грозный, ул. Дадин Айбики, д. 48	"Арсгир"	8-962-655- 20-00	V+	V+	V+	V+	V+
г. Дзержинск, Нижегородская обл., ул. Чапаева, д. 68	мастерская "СЕРВИС ПЛЮС"	т. 8(8313) 21-14-14	V+		V+		
г. Дзержинск, пр. Циолковского, д. 54	СЦ "Кварц"	т. 8(8313) 20-93-00, т. 8(8313) 20-92-94		V+			
г. Ейск, ул. Пушкина, д. 84	АСЦ "Техносервис"	т. 8(86132) 2-11-71, т. 8(86132) 3-66-02	V+	V+	V+	V+	V+
г. Екатеринбург, ул. Сыромолотова, д. 21	ООО "АСервис"	т. 8(343)269- 81-10, т.8(343)219- 61-22	V+	V+	V+	V+	V+
г. Елец, Липецкая обл., ул. Октябрьская, д. 47	ООО фирма "ПОЛЮС"	т. 8(47467) 4-12-08, т. 8(47467) 4-33-17	V+		V+		
г. Иваново, ул. Дзержинского, д.45/6	ООО "Спектр-Сервис"	т. 8(4932) 335185, т. 8(4932) 335236	V+	V+	V+	V+	V+
г. Ижевск, ул. Азина, д. 4	ООО "АРГУС-Сервис"	8(3412) 30 79- 79, 8(3412)30- 83-07	V+		V+	V+	V+

г. Ижевск, ул. М. Горького, д. 76	ООО "АРГУС-Сервис"	т. 8(3412) 78-76-85, т. 8(3412) 78-06-64	V+		V+	V+	V+
г. Ижевск, ул. Буммашевская, д. 7/1, офис 301, 307	"Климат-Контроль"	т. 8(3412) 44-60-40, т. 8(3412) 44-60-67		V+			
г. Йошкар-Ола, ул. Воинов Интернационалистов, д 24 а	СЦ "Аквамарин"	т. 8(8362) 24-11-24, т. 8(8362) 25-55-40	V+	V+	V+	V+	
г. Иркутск, ул.Киренская, д. 20	СЦ "Мастер"	т. 8(39520) 65-04-95, т. 8(39520) 93-16-56	V+		V+	V+	
г. Казань, пр. Ямашева, д. 38	СЦ "Витязь"	т. 8(843) 248-71-17, т. 8(843) 258-85-65	V+		V+		
г. Калуга, ул. Суворова, д. 25, Грабцевское шоссе, д. 47	ООО "Бинэс Сервис"	т. 8 (4842) 54-82-22, т. 8 (4842) 54-83-33	V+	V+	V+	V+	V+
г. Кемерово, пр. Октябрьский, д. 53/2	ВК-Сервис	т. 8(3842) 35-39-67	V+			V+	
г. Киров, ул. Некрасова, д. 42	ООО "Экран-Сервис"	т. 8(8332) 56-25-95, т. 8(8332) 54-70-77	V+		V+	V+	
г. Константиновск, Ростовская обл., пер. Студенческий, 9	Макаров-ЮГ	8-988-548- 24-36	V+	V+	V+		
г. Кострома, ул. Коммунаров, д. 5	АСЦ "Кристалл Сервис Быт"	т. 8(4942) 300107, т. 8(4942) 300107	V+		V+	V+	V+
г. Кореновск, ул. Пурыхина, д. 2, корп."а"	ИП Бондаренко А.В.	т. 8(86142)4- 43-59	V+	V+	V+	V+	V+
г. Краснодар, ул. Новороссийская, 3	Абсолют-сервис	т. 8(861) 267-50-88	V+	V+	V+	V+	V+

г. Краснодар, ул. Академика Лукьяненко, д.103, оф.55	"М-Сервис- Юг"	т.8(861) 222-64-13, т.8(861) 222-85-55, м.т. 8-905- 408-08-38	V+	V+	V+	V+	V+
Краснодарский край, ст. Варен- никовская, ул. Виноград- ная, д. 42/2	ИП Лютерович В.М.	м.т. 8-918- 041-31-04, т. 8(86131) 71-2-72		V+			V+
Краснодарский край, ст. Канев- ская, ул. Сверд- ликова, д. 116	ИП Галишников А.А.	т. 8(86164) 7-01-22		V+			
Краснодарский край, ст. Ленин- градская, ул. Жлобы, д.57г	ООО "Уманьбыт- сервис"	т. 8(86145) 3-78-74	V+	V+	V+	V+	V+
Краснодарский край, ст. Старо- деревянковская, ул. Комсомоль- ская, д.25	ООО "ЭлитСер- вис"	т. 8(86164) 65-4-95, м.т. 8-918- 355-81-70	V+	V+		V+	V+
Краснодарский край, ст. Старо- минская, ул. Толстого, д. 1	ИП Галишников А.А.	т. 8(86153) 4-16-70		V+			
г. Красноярск, ул. Дудинская, д. 1	СЦ "Электро- альянс"	т. 8(3912) 93-54-33, т. 8(3912) 94-52-82	V+	V+	V+	V+	V+
г. Курск, ул. Студенческа, д. 36-а, ул. Сумская, д. 37-б	СЦ "Маяк+"	т. 8 (4712) 50-85-90, т. 8 (4712) 35-04-91	V+	V+	V+	V+	
г. Лабинск, Краснодарский край, ул. Турча- нинова, д. 2	ООО "БЫТСЕР- ВИС"	т. 8 (86169) 7-39-99, т. 8(86169) 7-24-96	V+	V+	V+	V+	V+
г. Майкоп, ул. Гоголя, д. 29	СЦ "Ма- стерСер- вис"	т. 8 (8772) 52-36-90	V+	V+	V+	V+	
г. Майкоп, ул. Димитрова, д. 25	ООО "Электрон- Сервис"	т. 8 (8772) 55-62-38		V+			V+
г. Махачкала, пр. Шамиля, д. 20	Сервисный центр "РО- САМ"	т. 8(8722) 93-30-73	V+	V+	V+	V+	V+

г. Миллерово, Ростовская обл., ул. Калинина, д. 11	СЦ "Мастер Плюс"	т. 8(86385) 2-33-26 м.т 8-960- 458-07-11	V+	V+		V+	V+
г. Москва, Сигнальный пр-д, д. 16, стр. 9	ООО "РеалМа- стер"	т. 8 (499) 340-29-89, т. 8 (499) 733-25-00		V+			
г. Москва, г. Зеленоград, корпус 1534	ООО "Протор- Сервис"	т. 8(499) 717-82-07, т. 8(499) 717-82-12	V+		V+	V+	V+
г. Москва, б-р Маршала Рокоссовского, д.3 (м.ул. Подбельского)	Техниче- ский Центр "Юник"	т. 8(495) 721-30-70, т. 8(499) 168-05-19, т. 8(499) 168-47-15	V+		V+	V+	V+
г. Москва, Старый Толма- чевский пер., д.17, стр.2.(м.Ново- кузнецкая)	Техниче- ский Центр "Юник"	т. 8(495) 953-12-02, т. 8(495) 953-11-57, т. 8(495) 953-10-25	V+		V+	V+	V+
г. Москва, Волжский буль- вар, д.50, кор.2 (м.Волжская)	Техниче- ский Центр "Юник"	т. 8(495) 178-89-22, т. 8(499) 742-35-63	V+		V+	V+	V+
г. Москва, ул.Новоалексеев- ская, д.14, кор.1 (м.Алексеевская)	Техниче- ский Центр "Юник"	т. 8(495) 627-53-25	V+		V+	V+	V+
г. Королев, Московская обл., пр-д Циолков- ского, д.5	Техниче- ский Центр "Юник"	т. 8(495) 516-24-60, т. 8(495) 516-24-61	V+		V+	V+	V+
г. Набережные Челны, ул. Вах- итова, д.20 (30/05)	Сервисный Центр "ТриО"	т. 8(8552) 359002, т. 8(8522) 359042	V+	V+	V+		
г. Невинномыск, ул. Гагарина, д. 55	СЦ "ЭДВИС"	т. 8(86554) 5-59-77, т. 8(86554) 3-67-57	V+	V+	V+	V+	V+
г. Нижнекамск, ул. Кайманова, д. 9 (маг."Ак Калфак")	"Техника"	т. 8(8555) 48-08-80, т. м. 8-917- 906-60-06	V+		V+	V+	V+

г. Нижний Новгород, ул. Заводской парк, д. 21	СЦ "Качественный сервис"	т. 8(831) 229-63-66, т. 8(831) 229-60-87	V+		V+	V+	
г. Нижний Новгород, ул. Ларина, д. 18А	ООО "Бытовая Автоматика-Сервис"	т. 8(831) 46-18-848		V+			V+
г. Нижний Новгород, ул. Коновалова, д. 6		т. 8(831) 46-18-848		V+			V+
г. Новокузнецк, Кемеровская обл., ул. Грдины, д. 18	ООО "Сибсервис"	т. 8 (3843) 20-31-33	V+		V+	V+	V+
г. Новороссийск, ул. Серова, д. 14	ООО "АР-ГОН-СЕРВИС"	т. 8(8617) 63-11-15, т. 8(8617) 63-03-95	V+	V+	V+	V+	V+
г. Новосибирск, ул. Вертковская, д. 42	ООО "Сибирский Сервис"	т. 8(383) 292-47-12, т. 8(383) 355-55-60, т. 8(383) 352-89-86	V+		V+	V+	V+
г. Новошахтинск, пл. Базарная, д. 24А	Электро-Мир	т.8(86369) 3-74-75, т.м.8-928-609-35-85	V+	V+	V+		
г. Оренбург, ул. Космическая, д. 4	ИП Бабина Т.В.	т. 8 (3532) 36-87-94	V+			V+	V+
г. Орск, ул. Волкова, д. 2	"Айс-Сервис+"	т. 8(3537) 33-84-43, т. 8(3537) 35-13-18	V+	V+	V+	V+	V+
г. Пенза, ул. Кулакова, д. 2	ООО "Мир Сервиса"	т. 8(8412) 26-09-60, т. 8(8412) 26-12-29	V+		V+	V+	V+
г. Пермь, ул. Деревообделочная, д. 3, корп. Б	ООО СК-Сервис"	т. 8 (342) 221-40-99	V+	V+	V+	V+	V+
Г.Петрозаводск, ул.Северная, д.11	"Алкор-Сервис"	Т. 8(8142) 78-06-93, т. 8(8142) 70-65-48	V+		V+		

г. Псков, ул. Труда, д. 11	ООО "Ремонт и Сервис"	т. 8 (8112)-53-86-30, т. 8 (8112)-53-86-50	V+			V+	
г. Пятигорск, Ставропольский край, ул. Ермолова, д. 12	Техно Сервис	т. 8(793) 31-84-16	V+	V+	V+	V+	V+
г. Россошь, Воронежская обл., ул.Пролетарская, д.148	Региональная Сервисная Компания	т. 8(47396) 48-911	V+	V+	V+	V+	V+
г. Ростов-на-Дону, ул. Турмалиновская, д. 79/3	ТД "Оптимизация Сервис"	т. 8 (863) 300-62-86	V+			V+	V+
г. Ростов-на-Дону, ул. Евдокимова, д. 37 В	ООО "Максим-Сервис"	т. 8(863) 250-47-77	V+			V+	
г. Ростов-на-Дону, ул. 50-летия Ростсельмаша, д. 1/52, офис 55	ООО "Мастер"	т.8 (863) 21-92-112, т.м 8-800-100-51-52	V+	V+	V+	V+	V+
Ростовская обл., ст. Багаевская, ул.Трюта, д. 11а/17а	ИП Иванов А.П.	м.т. 8-906-453-35-81	V+			V+	
г. Рыбинск, Ярославская обл., ул. Свободы д.12	Сервисная служба "ТЕХНО-СЕРВИС"	т. 8(4855) 22-04-77, т. 8(4855) 25-38-60	V+	V+	V+	V+	V+
г. Рыбинск, Ярославская обл., ул. Моторостроителей д.21	Сервисная служба "ТЕХНО-СЕРВИС"	т. 8(4855) 24-31-21	V+	V+	V+	V+	V+
г. Рязань, ул. Пушкина, д. 14, корп. 1	ООО «Гарант-Климат»	т. 8(4912) 76-88-01, т. 8(4912) 40-30-30	V+	V+	V+	V+	V+
г. Рязань, ул. Касимовское шоссе, д. 42 "а"	ООО «Гарант-Климат»	т. 8(4912) 41-33-02,	V+	V+	V+	V+	V+
г. Самара, ул. Енисейская, д.52, оф. 8,9	Сервисный Центр	т. 8(846) 931-85-46	V+	V+	V+	V+	

г. Санкт-Петербург, пр. Обуховской обороны, д. 197	ООО "Евро-сервис ХХI"	т. 8(812) 600-11-97	V+	V+	V+	V+	
г. Санкт-Петербург, проспект Стачек, д. 41, литер А	ООО "Прогресс-Сервис"	т. 8(812) 325-36-56, т. 8(812) 325-36-57	V+		V+	V+	
г. Санкт-Петербург, ул. Магнитогорская, д.11,36Н,лит.И	ООО "БИТ-95"	т. 8(812) 822-18-00, т. 8(812) 320-06-61	V+				
г. Саранск, ул. Садовая, д. 1	ООО "ТЕСТ-СЕРВИС"	т. 8(8342) 23-05-91, т. 8(8342) 47-48-59	V+	V+	V+		
г. Саратов, ул. 3-я Дачная, "ТЦ-Поволжье"	ООО "ТРАНС-СЕРВИС-Саратов"	т. 8(8452) 35-11-80, т. 8(8452) 55-43-63	V+	V+	V+	V+	V+
г.Семикаракорск, ул.Ленина,д.167/1	ремонт С.Б.Т	т.м. 8-951-522-38-11	V+	V+	V+	V+	V+
г. Сергиев Посад, пр-т. Красной Армии, д. 253А	СП "Городская Служба Бытового Сервиса"	т. 8(496) 547-04-95, т. 8(496) 549-32-79	V+	V+		V+	V+
г. Сочи, ул. Донская, д. 90	ООО "ДЭЛ"	т. 8 (8622)55-51-19, т. 8 (8622) 55-01-08	V+			V+	V+
г. Ставрополь, ул. 50 лет ВЛКСМ, д. 8/1	ООО "Быт Сервис"	т. 8(8652) 74-01-91	V+	V+	V+		
г. Ставрополь, ул. Пушкина, д. 63	ООО "Унисервис"	т. 8(8652) 24-30-14, т. 8(8652) 23-31-81	V+	V+	V+	V+	V+
г. Ставрополь, пр. Кулакова, д. 15 Е, оф. 21	"Мир Климата"	т.8(8652)95-53-68, т. (8652)95-61-90		V+			
г. Старый Оскол, Белгородская обл., м-н. Лебединец, д. 1а	ЗАО "АВАНТАЖ-ИНФОРМ"	т. 8 (4725) 24-62-27, т. 8 (4725) 24-73-49	V+	V+	V+		

г. Стерлитамак, Республика Башкортостан, ул. Худайбердина, д. 158	ООО "Сервис-Технос"	т. 8(3473) 20-12-13, т. 8(3473) 20-27-70	V+		V+	V+	V+
г. Сыктывкар, Республика Коми, ул. Гаражная, д. 25	"Тех Сервис"	т. 8(8212) 22-95-29, т. 8(8212) 29-12-20	V+	V+	V+	V+	V+
г. Тамбов, ул. Мичуринская, д. 137а	ООО "БВС-2000"	т. 8(4752) 56-19-42, т. 8(4752) 56-19-44	V+	V+	V+	V+	V+
г. Тверь, ул. Московская, д.88/15	Сервис-Гарант	м.т. 8-910-834-80-35, м.т. 8-952-065-89-10	V+		V+		
г. Тимашевск, Краснодарский кр., ул. Ленина, д. 24/2	Сервис бытовой техники	т. 8(86130) 4-86-59, т.м. 8-918-147-02-03	V+	V+		V+	V+
г. Тольятти, ул. Мира, д. 48	ООО "Волга Техника+"	т. 8(8482) 22-72-41, т. 8(8482) 22-71-85, т. 8(8482) 61-65-64	V+	V+	V+	V+	V+
г. Томск, пр. Кирова, д. 58	ООО "Экстрем-2"	т. 8(3822) 56-23-35, т. 8(3822) 48-08-80	V+		V+		
г. Тула, ул. Ф. Энгельса, д. 137	ООО "Сервис-Центр"	т. 8(4872) 31-12-57	V+	V+	V+	V+	V+
г. Улан-Удэ, ул. Ербанова, д. 28	СЦ "Мастер"	т. 8(3012) 21-89-63	V+		V+	V+	V+
г. Ульяновск, ул. Гагарина, д.18, офис 18, 2 этаж	СЦ "Пилот"	т. 8(8422) 31-00-00	V+	V+	V+	V+	V+
г. Усть-Джегута, КЧР, ул. Курортная, д 378 а	СЦ "КАВКАЗ-СЕРВИС"	т. 8(87875) 7-44-82	V+	V+	V+		
г. Уфа, ул. Пр. Октября, д. 148	"Пилигрим-сервис"	т. 8(3472) 77-12-62,	V+		V+		

г.Уфа, -ул.Менделеева, д. 153 - пр. Октября, д. 42 -ул. Мира, д. 7	СЦ "Джене- рал»	т. 8(347) 279-90-70, т. 8(347) 241-62-02					V+
г. Цимлянск, Ростовская обл., ул. Социалисти- ческая, д 15а	"Телера- диотовары"	т. 8(86391) 2-18-06	V+		V+		
г. Чебоксары, ул.Гагарина, д. 36	ЗАО "Телера- диосервис"	т. 8(8352) 62-30-97, т. 8(4942) 63-20-98	V+		V+		
г. Череповец, ул.Моченкова, д. 18	"Ремонт бытовой техники"	т. 8(8202) 54-31-88	V+		V+	V+	V+
г. Черкесск, пр. Ленина, д. 340"В"	АСЦ "ЮГ- СЕРВИС"	т. 8(8782) 27-30-60, т. 8(8782) 27-70-77	V+	V+	V+	V+	V+
г. Шахты, Ростовская обл., ул. Садовая, д. 1	Техно Сервис	м.т. 8-904- 345-83-18	V+	V+	V+	V+	V+
г. Элиста, 3-й микрорайон, д. 21а	"СКВ Сервис"	т. 8 (84722) 9-52-07, м.т. 8-937-469- 52-07	V+	V+	V+	V+	V+
г. Энгельс, ул. Петровская, д. 57	"Ремонт- сервис"	т. 8(8453) 55-80-89, м.т. 8-964- 848-45-06	V+		V+	V+	V+
г. Ярославль, ул. Угличская, д. 12	ООО "Трио- Сервис"	т. 8 (4852) 25-94-83	V+		V+		

UA

МІЖНАРОДНІ ГАРАНТІЙНІ ЗОБОВ'ЯЗАННЯ

Гарантія на виріб надається на термін 2 роки чи більше у випадку, якщо Законом про захист прав споживачів країни, в якій був придбаний виріб, передбачений більший мінімальний термін гарантії.

Всі умови гарантії відповідають Закону про захист прав споживачів і регулюються законодавством країни, у якій придбано виріб.

Гарантія і безкоштовний ремонт надаються в будь-якій країні, у яку виріб постачається компанією «Saturn Home Appliances» чи її уповноваженим представником, і де ніякі обмеження по імпорту чи інші правові положення не перешкоджають наданню гарантійного обслуговування і безкоштовного ремонту.

Випадки, на які гарантія і безкоштовний ремонт не поширюються:

1. Гарантійний талон заповнений неправильно.
2. Виріб вийшов з ладу через недотримання Покупцем правил експлуатації, зазначених в інструкції.
3. Виріб використовувався в професійних, комерційних чи промислових цілях (крім спеціально призначених для цих моделей, про що зазначено в інструкції).
4. Виріб має зовнішні механічні чи ушкодження, викликані влученням всередину рідини, пилу, комах і інших сторонніх предметів.
5. Виріб має ушкодження, викликані недотриманням правил живлення від батарей, мережі чи акумуляторів.
6. Виріб піддавався розкриттю, ремонту чи зміні конструкції особами, не уповноваженими на ремонт; проводилося самостійне чищення внутрішніх механізмів тощо.
7. Виріб має природний знос частин з обмеженим терміном служби, видаткових матеріалів і т.д.
8. Виріб має відкладення накипу всередині чи зовні ТЕНів, незалежно від якості використаної води.
9. Виріб має ушкодження, чи ушкодження, які викликані впливом високих (низьких) температур чи вогню на нетермостійкі частини виробу.
10. Виріб має ушкодження належностей і насадок, що входять у комплект постачання виробу (фільтрів, сіток, мішків, колб, чаш, кришок, ножів, вінчиків, терок, дисків, тарілок, трубок, шлангів, щіток, а також мережних шнурів, шнурів навушників тощо).

З питань гарантійного обслуговування і ремонту звертайтеся до спеціалізованих сервісних центрів фірми «Saturn Home Appliances».

№ п. п	Адреса	Назва сервісного центру	Телефон	Категорія ремонтів		
				аудіо/відео	побутова техніка	кондиціонери
1	Алчевськ, вул. Гагаріна, 36	Hi-Fi (Кіслов)	(064) 424-89-50	+	+	+

2	Біла Церква, вул. Карбишева, 49	Еконіка-Сервіс	(04563) 633-19	-	+	-
3	Біла Церква, бул. 50-років Перемоги, 82	Маяк-Сервіс	(045) 63-68-413	+	+	+
4	Бердичів, вул. Леніна, 57	ЄВРОСЕРВІС	(041) 43-406-36	+	+	-
5	Берегове, Закарпатська обл. вул. І. Франка, 43	ПП "Пруніца"	(0314 1) 43-432	+	+	+
6	Васильків вул. Гагарі- на, 3, оф. 8	АМАТІ- СЕРВІС	(044) 332-01-67	+	+	+
7	Вінниця, пр-т Космонавтів, 42	Гарант- Сервіс (Екран- Сервіс)	(0432) 46-50-01	+	+	-
8	Вінниця, вул. Келецька, 61а	ЛОТОС	(0432) 61-95-73	+	+	+
9	Вінниця, пр-т. Юності, 16	Скормаг- Сервіс (Вінниця)	(0432) 464393; (0432) 468213	+	+	+
10	Вінниця, пров. Щорса, 3а	Базелюк	(0432) 64-24- 57, факс (0432) 64-26-22	+	+	+
11	Вінниця, вул. Порики, 1	Фахівець	(0432) 509-191, 579-191	+	+	+
12	Дніпропетровськ, вул. Ленінградська, 68, 1 корпус, к. 420	Москаленко Т.Н.	(0562) 337-574	+	+	+
13	Дніпропетровськ, вул. Набережна ім. Леніна, 17 оф.130	Дінек-Сервіс	(056) 778-63-25 (28)	+	+	+
14	Дніпропетровськ, вул. Кірова, 59	ЛОТОС	(0562) 35-04-09	+	+	+
15	Дніпропетровськ, вул. Набережна Пере- моги, 118	ЛОТОС	(0562) 67-60-44	+	+	+
16	Дніпропетровськ, вул. Коротка, 41 А	СЦ Універ- сал (Кабан)	(056) 790-04-60	+	+	+
17	Дніпропетровськ, вул. Краснопільська, 9	Рамус	(068) 851-33-33	+	+	+
18	Донецьк, пр-т Полегких комунарів, 188	Техносервіс (Яновская)	(062) 345-06-07	+	+	+

19	Донецьк, вул. Собінова, 129а	Сатурн- Донецьк	(062) 349-26-81	+	+	+
20	Донецьк, вул. Жмури, 1	СЦ Схід- Сервіс (Конуркин)	(062) 302-75-69	+	+	+
21	Житомир, вул. Львівська, 8	Тандем- сервіс СПД "Вашук"	(0412) 471-568	+	+	-
22	Житомир, вул. Домбровського, 24	СЦ Коваль (Євросервіс)	(0412) 47-07- 42, 42-11-53	+	+	-
23	Запоріжжя, вул. Правди, 50	Ремпобут- сервіс	(061) 220-97-65 (64)	+	+	+
24	Запоріжжя, вул. Гоголя, 175	ЛОТОС	(061) 701-65-96	+	+	+
25	Запоріжжя, вул. Дзержинського, 83	Електро- техніка ЧП	(061)212-03-03	+	+	+
26	Івано-Франківськ, вул. Нова 19а	Бриз ЛТД	(0342)559-525, 750-777	+	+	+
27	Івано-Франківськ, вул. Вовчинецька, 223	ЛОТОС	(0342) 75-60-40	+	+	+
28	Іллічівськ, вул. Транспортна, 9	Сатурн- Одеса	(048) 734-71-90	+	+	+
29	Ірпінь, вул. Пролетарська, 76	Валерія	(04597) 551-62	+	+	-
30	Канів, вул. Леніна, 161, (Чер- каська обл.)	Сатурн- Магніт	(04736) 629-49	+	+	+
31	Київ, вул. Новокостянтинівська, 16	Сатурн-ТВ	(044) 591-11-90	+	+	+
32	Київ, вул. Лугова, 1а	ЧП "Огесенко"	(044) 4269198	+	+	-
33	Київ, вул. Бориспіль- ська, 9 корп. 57	АМАТІ- СЕРВІС	(044) 369-5001 (063) 486-6999	+	+	+
34	Константинівка, вул. Безнощенко, 10	Гармаш (СЦ)	(06272) 2-62- 23, (050) 279-68-16	+	+	+
35	Кіровоград, вул. Луначарського, 1в	ЧП "Денисенко"	(0522) 301-456	+	+	+

36	Кіровоград, вул. Короленко, 2	ЛОТОС	(0522) 35-79-23	+	+	+
37	Кіровоград, вул. Колгоспна, 98	Північ-Сервіс (Лужков)	(0522) 270-345,349-585	+	+	+
38	Коломия, вул. Привокзальна, 13	Бриз ЛТД	(097) 264-21-67, 776-67-70	+	+	+
39	Конотоп, пр-т. Леніна, 11	ЧП "Олексій"	(05447) 61-356	+	+	+
40	Коростень, вул. Крупська 3, оф. 5	ЧП "Бондар"	(04142) 5-05-04	+	+	+
41	Краматорськ, вул. Бикова, 15-106	Ісламов Р.Р.	(06264) 5-93-89	+	+	+
42	Краматорськ, вул. Шкільна, 7	Технолюкс СЦ	(050) 526-06-68	+	+	+
43	Кременчук, вул. Радянська, 44, оф. 1	ЕкоСан (ФОП Юдін)	(05366) 39-192	+	+	-
44	Кременчук, вул. Переяславська, 55А	СЦ Шамрай	(0536) 74-72-10, 74-71-81	+	+	+
45	Кривий Ріг, пр-т Гагаріна, 42	Євросервіс	(056) 401-33-56, 404-00-80, 474-61-03	+	+	+
46	Кривий Ріг, вул. Косіора, 64/7	ЛОТОС	(0564) 40-07-79	+	+	+
47	Кривий Ріг, вул. Революційна, 73	ТОВ "Ягуар" фокстрот	(056) 440-07-64	+	+	+
48	Лубни, вул. Радянська, 81	СЦ Яценко	(050) 214-91-73; (066) 017-02-03	+	+	+
49	Луганськ, вул. Дніпровська, 49а	Сатурн-Луганськ	(0642) 505-783	+	+	+
50	Луганськ, вул. Ломоносова, 96ж	Східний	(0642) 494-217, 33-11-86	+	+	+
51	Луцьк, вул. Федорова, 3	Остапович (БАС)	(0332) 78-05-91	+	+	+
52	Львів, вул. Підголоско, 15а	Крупс	(032) 244-53-44	+	+	+
53	Львів, вул. Стризька, 35	ЧП "Грушецький"	(032) 2973631	+	+	+
54	Львів, вул. Червоної Калини, 109	Потапенко СЦ Шанс	(032) 247-14-99	+	+	+

55	Львів, вул. Володимира Великого, 2	Потапенко СЦ Шанс	(032) 247-14-99	+	+	+
56	Львів, вул. Б. Хмельницького, 116	ТОВ "Рестор-Сервіс"	(032) 245-80-52	+	+	-
57	Львів, вул. Шараневича, 28	РО Сімпекс	(032) 239-51-52 (032) 239-55-77, 295-50-28, 295-50-29	+	+	+
58	Львів, вул. Курмановича, 9	ТОВ "Міленіум"	032-267-63-26	+	+	-
59	Могилів-Подільський, вул. Дністровська, 2	Скормаг-Сервіс (Могилів-Подільський)	04337-64847; 0432-468213	+	+	+
60	Мукачеве, вул. Кооперативна, 46	Віком	(03131) 37-337, 37-336	+	+	-
61	Маріуполь, бул. 50 років Жовтня, 32/18	ЛОТОС	(0629) 41-06-50	+	+	+
62	Маріуполь, пр-т. Металургів, 227	СЦ "Реал-Сервіс" (Озеров)	(0629) 473-000	+	+	+
63	Миколаїв, вул. Чкалова, 33,	ТСЦ "Аладін" (Муленко)	(0512) 580-555	+	+	+
64	Миколаїв, Внутріквартальний проїзд, 2	ЛОТОС	(0512) 58-06-47	+	+	+
65	Миколаїв, вул. Леніна, 177 А	Миколаїв (Фокстрот)	(0512) 55-29-04	+	+	+
66	Нікополь, вул. Гагаріна, 62 А	Ніка-Сервіс (Джепа) Імпорттехно-сервіс	(05662) 22-488, (097) 402-71-95	+	+	-
67	Нікополь, вул. Шевченко, 97, оф. 2	ТОВ "Прем'єр-Сервіс" (Готов)	(05662) 4-15-03	+	+	-
68	Новоград-Волинський, вул. Вокзальна, 38	СПД "Кожедуб"	(041) 4152010	+	+	-
69	Одеса, вул. Новосільського 66 (пров. Топольського 2)	Ремус	048-7317704; 7317703;	+	+	+

70	Одеса, вул. Б. Хмельницького, 55	ПП"Кушнір"	(048) 715-10-25, (0482) 39-06-18	+	+	+
71	Павлоград, вул. Шевченко, 67	"Інтерсервіс" (Шульга)	8(05632) 6-15-54, (05632) 6-23-42	+	+	-
72	Полтава, вул. Алмазна 14	ЛОТОС	(0532) 69-42-62	+	+	+
73	Полтава вул. Зеньківська 21	АМАТІ-СЕРВІС	(0532) 69-09-46 (093)562-81-25	+	+	+
74	Полтава, вул. Пролетарська, 22	Пром-електроніка	(0532)57-21-64, 57-21-66	+	+	+
75	Прилуки, Київська, 371а	АМАТІ-СЕРВІС	(04637)53-982 (093)753-38-28	+	+	+
76	Прилуки, вул. Борців Революції, 101/1	ЧП Костюченко	(046) 3738595	+	+	+
77	Рівне, вул. Тиха, 12	Електроніка-Сервіс	(0362) 26-67-53, 26-65-85	+	+	-
78	Саки, вул. Кузнецова, 14	Техновеліс СЦ	(065)632-21-83, (050) 904-57-17	+	+	+
79	Севастополь, вул. Пожарова, буд. 26Б	Діадема СЦ	(0692) 55-56-43, 45-36-99	+	+	+
80	Севродонецьк, вул. Федоренко 20а	СЦ "Електронні системи"	(0645) 702514, (06452) 4-43-85, 4-51-83	+	+	+
81	Сімферополь, вул. Ковильна, 72	Телемір-сервіс	(0652)-69-07-78	+	+	+
82	Сімферополь, вул. Некрасова 17/1	ТОВ "НК-Центр"	(0652) 522-771	+	+	+
83	Сміла, вул. Мічуріна, 32	Ласк-Сервіс	(04733)-46-182	+	+	-
84	Стаханов, вул. Кірова, 15 (Луганська обл.)	Альбіт	(06444)40289	+	+	+
85	Стрий, вул. Шевченка 171Б/10	Телерадіо-сервіс	(245) 53-136	+	+	+
86	Нова Каховка, вул. Заводська 38	Стародубець А.В.	(055) 497-26-17	+	+	-
87	Суми, вул. Білопольське шосе, 19	Панченко	(0542) 705-296	+	+	-

88	Суми, вул. Кооперативна, 17	SLT- Service (Думанчук)	(0542) 78-10-13	+	+	+
89	Тернопіль, вул. Чадаєва, 2	СПД "Самуляк"	(0352) 26-30-13, 23-17-97	+	+	-
90	Умань, вул. Ленінградської Іскри 1/24	"Електрон-Сервіс" ФЛП Баландін І.Ю.	(047) 44-46-614, (047) 44-46-134	+	+	+
91	Ужгород, вул. Гагаріна, 101	Міленіум	(0312) 661-297	+	+	+
92	Харків, вул. Бакуліна, 12	Комтех	(057) 717-13-39, 702-16-20	+	+	+
93	Харків, вул. Полтавський шлях, 3	Тевяшов (Каскад)	(057) 734-97-24, 712-51-81	+	+	-
94	Харків, вул. Фонвізіна, 18	ЧП "Саванов"	(096) 595-37-46	+	+	+
95	Харків, вул. Вернадського, 2	Осьмачко А.Н.	(057) 758-10-39; 758-10-40	+	+	+
96	Хуст, вул. Пирогова, 1а	РТА Хуст ПМ Ком'яті	(03142) 42-258	+	+	+
97	Херсон, вул. Лавринева 5	ТТЦ Електроніка	(0552) 29-60-42	+	+	+
98	Херсон, вул. Карбишева, 28а	ЛОТОС	(0552) 43-40-33	+	+	+
99	Херсон, вул. Леніна, 35	ЧП Команди	(0552) 420-235	-	-	+
100	Хмельницький, вул. Львівське шосе, 10/1	Орбіта-Ікстал	(0382) 723-241, 723-240	+	+	+
101	Черкаси, вул. Енгельса, 71	Радіоімпульс	(0472) 435-389	+	+	+
102	Черкаси, вул. Громова, 146, оф.102	СЦ "Технохолод"	(0472) 563-478, 500-354, (096) 505-63-63	+	+	+
103	Чернігів, вул. 77-ої Гвардійської дивізії, 1	Вена	(0462) 601585	+	+	+
104	Чернігів, пр-т. Миру, 80	Лагрос	(0462) 724-872, 724-949	+	+	-

105	Чернівці, вул. Політаєва, 6д	Калмиків (ПРУТ)	(0372) 90-81-89	+	+	+
106	Чернівці, вул. Лук'яна Кобилиці, 105 (вхід знадвору)	Блошко	(0372) 55-48- 69,90-13-11	+	+	+
107	Чернівці, вул. Головна, 265	СЦ Гринчук (Фокстрот)	(0372) 58-43-01	+	+	+
108	Шостка, вул. Робоча, 5	Берізка	(05449) 40-707	+	+	-
109	Ялта, вул. Жадановського, 3	СЦ "АВІ- Електронікс"	(050) 373-73-71	+	+	+
110	Ялта, вул. Дзержинського, 5	Телемір- сервіс (маг.)	(050) 324-43-01	+	+	-

GB

WARRANTY COUPON

**When purchasing the product,
please require its checking before you;
BE SURE
that the goods sold to you, are functional and complete
and that the warranty coupon is filled in correctly.**

This warranty coupon confirms the absence of any defects in the product you purchased and provides for free of charge repair of the product failed through the fault of the manufacturer throughout the period of warranty service and free of charge repair.

Failing the presentation of this coupon, in case of its improper filling in, infringement of factory seals (if any), and also in cases indicated in the warranty obligations, the claims are not accepted, and no warranty service and free of charge repair is made!

The warranty coupon is valid only in the original copy with the stamp of trading organization, signature of the seller, date of sale and signature of the buyer.

CZ

ZÁRUČNÍ LIST

**Při koupi výrobku
žádejte o jeho vyzkoušení ve Vaší přítomnosti,
PŘESVĚDČTE SE,
že Vám prodaný výrobek je dobře fungující a kompletní
a že záruční list je vyplněn správně.**

Tento záruční list potvrzuje, že na Vámi koupeném výrobku nejsou žádné vady a zajišťuje bezplatnou opravu nefungujícího přístroje z viny výrobce, během celé záruční doby.

Bez předložení tohoto listu, při jeho nesprávném vyplnění, porušení plomb výrobce (jsou-li na výrobku) a také v případech, které jsou uvedené v záručním listě, nároky se nepřijímají a záruční oprava se neprovádí!

Záruční list je platný jenom jako originál s razítkem obchodní organizace, podpisem prodáváče, termínem prodeje a podpisem zákazníka.

RU

ГАРАНТИЙНЫЙ ТАЛОН

При покупке изделия
требуйте его проверки в Вашем присутствии,
УБЕДИТЕСЬ,
что проданный Вам товар исправен и полностью укомплектован,
гарантийный талон заполнен правильно.

Данный гарантийный талон подтверждает отсутствие каких-либо дефектов в купленном Вами изделии и обеспечивает бесплатный ремонт вышедшего из строя изделия по вине производителя в течение всего срока гарантийного обслуживания и бесплатного ремонта.

Без предъявления данного талона, при его неправильном заполнении, нарушении заводских пломб (если они имеются на изделии), а также в случаях, указанных в гарантийных обязательствах, претензии не принимаются, а гарантийный и бесплатный ремонт не производится!
Гарантийный талон действителен только в оригинале со штампом торгующей организации, подписью продавца, датой продажи, подписью покупателя.

UA

ГАРАНТІЙНИЙ ТАЛОН

При придбанні виробу
вимагайте його перевірки у Вашій присутності,
ПЕРЕКОНАЙТЕСЬ,
що проданий Вам товар справний і цілком укомплектований,
гарантійний талон заповнений правильно.

Даний гарантійний талон підтверджує відсутність будь-яких дефектів у купленому Вами виробі і забезпечує безкоштовний ремонт виробу, що вийшов з ладу, з вини виробника протягом всього терміну гарантійного обслуговування і безкоштовного ремонту.

Без пред'явлення даного талона, при його неправильному заповненні, порушенні заводських пломб (якщо вони є на виробі), а також у випадках, зазначених у гарантійних зобов'язаннях, претензії не приймаються, а гарантійний і безкоштовний ремонт не проводиться!
Гарантійний талон дійсний тільки в оригіналі зі штампом торгуючої організації, підписом продавця, датою продажу і підписом покупця.

Saturn®

WARRANTY COUPON

ZÁRUČNÍ LIST

ГАРАНТИЙНИЙ ТАЛОН

ГАРАНТІЙНИЙ ТАЛОН

SATURN HOME APPLIANCES S.R.O. KONĚVOVA 141, 13083 PRAHA 3 –
ŽIŽKOV, ČESKÁ REPUBLIKA, TEL: + 4202/ 67 108 392

Model / Артикул

Production number/Výrobní číslo/Производственный номер
/Виробничий номер

Date of sell/Termín prodeje/Дата продажи/Дата продажу,

Shop stamp/Razítko obchodu/Штамп магазина/Штамп магазину

Seller's signature/Podpis prodavače/Подпись продавца/Підпис продавця

Buyer's Signature confirming the acquaintance and consent with conditions of free of charge maintenance service of the product, and absence of the complaints on appearance and color of the product.

Podpis zákazníka, potvrzující seznámení a souhlas s podmínkami bezplatného záručního servisu výrobku, a také neexistence nároků na vnější vzhled a barvu výrobku.

Подпись покупателя, подтверждающая ознакомление и согласие с условиями бесплатного сервисно-технического обслуживания изделия, а также отсутствие претензий к внешнему виду и цвету изделия.

Підпис покупця, що підтверджує ознайомлення і згоду з умовами безкоштовного сервісно-технічного обслуговування виробу, а також відсутність претензій до зовнішнього вигляду та кольору виробу.

Saturn®		Saturn®		Saturn®	
Model / Артикул / Артикул.....	Model / Артикул / Артикул.....	Model / Артикул / Артикул.....	Model / Артикул / Артикул.....	Model / Артикул / Артикул.....	Model / Артикул / Артикул.....
Production number / Производственный номер / Виробничий номер.....	Production number / Производственный номер / Виробничий номер.....	Production number / Производственный номер / Виробничий номер.....	Production number / Производственный номер / Виробничий номер.....	Production number / Производственный номер / Виробничий номер.....	Production number / Производственный номер / Виробничий номер.....
Name of the Trade Company / Наименование торговой организации/Назва торгової організації.....	Name of the Trade Company / Наименование торговой организации/Назва торгової організації.....	Name of the Trade Company / Наименование торговой организации/Назва торгової організації.....	Name of the Trade Company / Наименование торговой организации/Назва торгової організації.....	Name of the Trade Company / Наименование торговой организации/Назва торгової організації.....	Name of the Trade Company / Наименование торговой организации/Назва торгової організації.....
Stamp of the Trade Company/Место печати торговой организации/Місце печатки торгової організації.....	Stamp of the Trade Company/Место печати торговой организации/Місце печатки торгової організації.....	Stamp of the Trade Company/Место печати торговой организации/Місце печатки торгової організації.....	Stamp of the Trade Company/Место печати торговой организации/Місце печатки торгової організації.....	Stamp of the Trade Company/Место печати торговой организации/Місце печатки торгової організації.....	Stamp of the Trade Company/Место печати торговой организации/Місце печатки торгової організації.....
Client Address/Phone # / адрес/телефон клиента адреса / телефон клієнта.....	Client Address/Phone # / адрес/телефон клиента адреса / телефон клієнта.....	Client Address/Phone # / адрес/телефон клиента адреса / телефон клієнта.....	Client Address/Phone # / адрес/телефон клиента адреса / телефон клієнта.....	Client Address/Phone # / адрес/телефон клиента адреса / телефон клієнта.....	Client Address/Phone # / адрес/телефон клиента адреса / телефон клієнта.....
Date of Receiving/дата приема/дата прийому.....	Date of Receiving/дата приема/дата прийому.....	Date of Receiving/дата приема/дата прийому.....	Date of Receiving/дата приема/дата прийому.....	Date of Receiving/дата приема/дата прийому.....	Date of Receiving/дата приема/дата прийому.....
Defect / дефект / дефект.....	Defect / дефект / дефект.....	Defect / дефект / дефект.....	Defect / дефект / дефект.....	Defect / дефект / дефект.....	Defect / дефект / дефект.....
Signature, Stamp / Подпись, печать / Підпис, печатка.....	Signature, Stamp / Подпись, печать / Підпис, печатка.....	Signature, Stamp / Подпись, печать / Підпис, печатка.....	Signature, Stamp / Подпись, печать / Підпис, печатка.....	Signature, Stamp / Подпись, печать / Підпис, печатка.....	Signature, Stamp / Подпись, печать / Підпис, печатка.....
COUPON 1		COUPON 2		COUPON 3	