

Saturn[®]

ST-EC0104

FOOD STEAMER



GB

FOOD STEAMER

Dear Buyer!

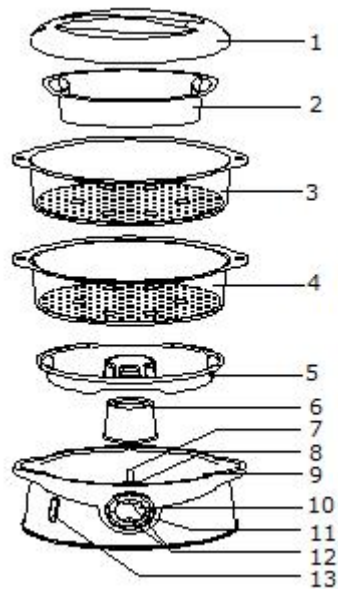
We congratulate you on having bought the device under trade name "Saturn". We are sure that our devices will become faithful and reliable assistance in your housekeeping.

Avoid extreme temperature changes. Rapid temperature change (e.g. when the unit is moved from freezing temperature to a warm room) may cause condensation inside the unit and a malfunction when it is switched on. In this case leave the unit at room temperature for at least 1.5 hours before switching it on. If the unit has been in transit, leave it indoors for at least 1.5 hours before starting operation.

Please follow the instruction for use carefully!

This appliance produces boiling hot steam!

Description



1. Lid
2. Rice bowl (1L capacity)
(Depending on the model)
3. Steam basket No.2
4. Steam basket No.1
5. Juice collector

6. Removable turbo ring
7. Inside water level indicator
8. Heating element
9. Water tank (1 hour continuous use)
10. Display
11. Button
12. Indicator light
13. Exterior water level indicator

Safety instructions

1. Check that the power supply voltage corresponds to that shown on the appliance.
2. Do not place the appliance near the hot source, as serious damage could result.
3. Never leave the appliance in operation unattended. Keep away from children.
4. Do not use the appliance if the appliance or the cord is damaged, or the appliance has fallen or shows visible damage or does not work properly.
5. If the supply cord is damaged, it must be replaced by the manufacturer service agent in order to avoid a hazard.
6. Burns can occur by touching the hot surface of the appliance, the hot water, the steam or the food.
7. Never immerse the appliance in water!
8. Do not move the appliance when it is full of liquid or hot foods.
9. Do not touch the appliance when it is steaming and use oven gloves to remove the lid, rice bowl and steamer baskets.
10. Always unplug the appliance immediately after use, when moving it or prior to any cleaning or maintenance.
11. This appliance is not intended for use by persons (including children) with reduced physical, sensory or mental capabilities, or lack of experience and knowledge, unless they have been given supervision or instruction concerning use of the appliance by a person responsible for their safety.
12. Children should be supervised to ensure that they do not play with the appliance.
13. Service life – 2 years.

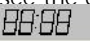
Instruction for use

1. Using warm water and washing up liquid, wash all the removable parts and the inside of the water tank, rinse and dry.
2. Place the base unit on a stable surface, put the turbo ring around the heating element (the largest side on the bottom).
3. Pour the fresh water directly into

the water tank up to the maximum level.

- Put the food on the center of base.
- Place the baskets on the top of the juice collector, and put the lid on.
- Plug in and set the time for recommended cooking times (see table of cooking times), the indicator light on and steam cooking has begun.
- Check the water level by looking the exterior water level indicator, if necessary, add water from the side of juice collector during cooking.
- The switch off automatically, timer rings and the indicator light off.
- You can reheat the food, carefully if there is any more water.
- Remove the lid, place the basket(s) on the plate.
- Unplug the appliance, let it cool completely before cleaning.


Electro-panel operation

- Put through the power supply, you can see the display showing the time as 




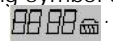
- Press the 'PROG' and buttons at the same time, the buzzer tweets when loosing the buttons.
- Increasing 10 minutes or decreasing 1 minute per each press on '+' button and '-' button accordingly.
- Adjust the clock to the current time, then ending the whole process by press 'PROG' button.
- Immediate steam mode



- Push the button under the clock mode until the display shows 

- Setting the steaming time by pressing '+' or '-' buttons, increasing or decreasing 5 minutes each press. Press any button and stop the setting procedure.
- The buzzer tweets two seconds without pressing any button after the steaming time is set. The red indicate light brightened at the mean time, that means the start of steaming, and the clock starts to count the time.
- When setting the time as 0, the electric timer will return to clock mode automatically. The maximum steam time is 90 minutes.
- When in steaming, you can press '+' or '-' button adjust the steaming

time. Press button to stop steaming and return back to clock mode.

- Timing steam mode
 - Press PROG under the mode of Clock, there shows the time and PROG on the display 
 - Booking the time by pressing '+' and '-' buttons, increasing or decreasing 10 minutes each time.
 - Press 'PROG' button until the display shows 45. Then press '+' and '-' to adjust the steaming time.
 - Press 'PROG' button again, the display shows the time and PROG, which means entering into the timing steam mode. When it comes into the booking time, the buzzer tweets and the red light lights, and the steamer starts to steam the food according to the set time.
 - If you want to cancel the timing steam mode, just press the PROG button, it return back to clock mode.
- When the steaming is finished, it comes into the holding mode directly. The display shows the time and the holding symbol and the green light lights 

Holding mode means warming for 2 minutes per 8 minutes after it stops steaming.



Press button to cancel the holding mode, and it returns back to clock mode.

Cleaning and maintenance

- Empty the water tank and clean it with a damp cloth.
- All the other removable parts can be put in the dishwasher.
- Descale the appliance every 8 times.
- Position the turbo ring upside down around the heating element (the largest side on the upper). Fill the water tank with cold water up to "MAX" level, fill the inside of the turbo ring with white vinegar to the same level. Do not heat up (to avoid the descaling odor). Leave overnight to descale. Rinse out the inside of water tank with warm water several times.
- Stack the baskets one to the other following No.1 into No.2. Put the rice bowl into the Steamer basket No.1. At last place the baskets on the juice collector and put lid over them all.

Technical Data:
 Power: 800 W
 Rated Voltage: 220-240 V
 Rated Frequency: 50 Hz
 Rated Current: 3,6

- Set FOOD STEAMER 1
- INSTRUCTION MANUAL WITH WARRANTY CARD 1
- RICE BOWL 1
- PACKAG 1

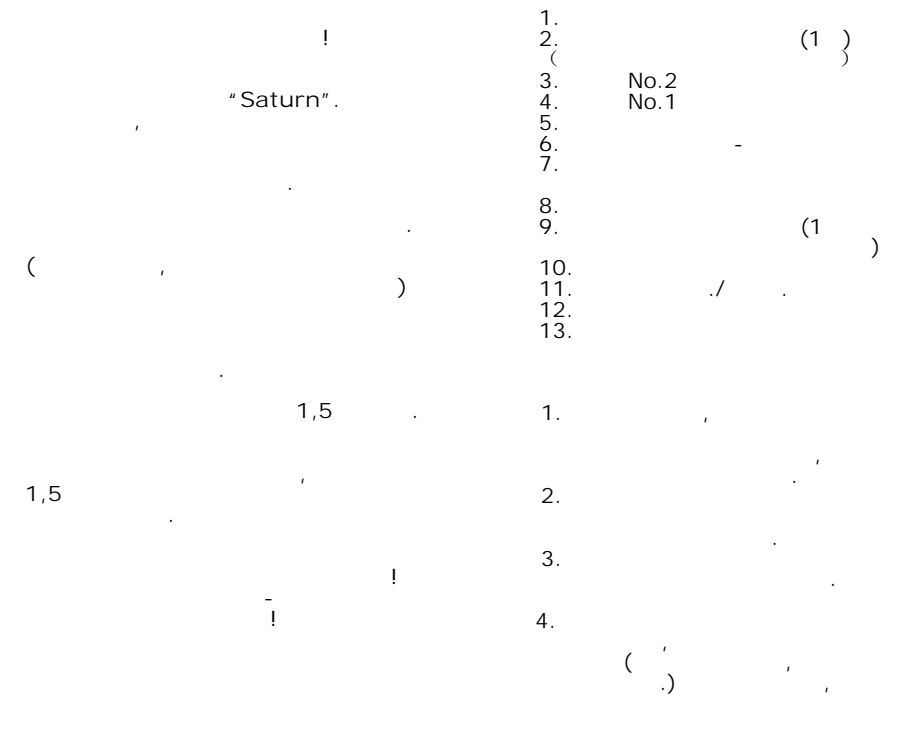
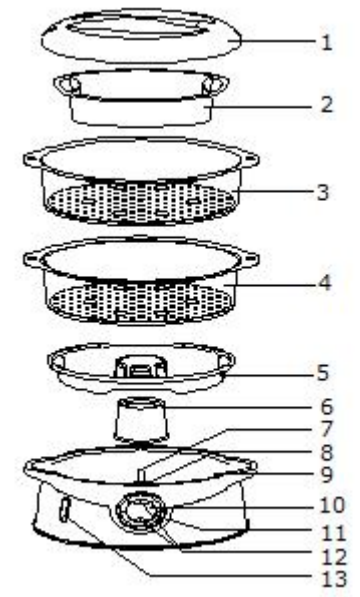
ENVIRONMENT FRIENDLY DISPOSAL

You can help protect the environment! Please remember to respect the local regulations: hand in the non-working electrical equipments to an appropriate waste disposal center.



The manufacturer reserves the right to change the specification and design of goods.

RU



5.
6.
7.
8.
9.
10.
11.
12.
13.
1.
2.
3.
4.
5.
6.
7.

8.
9.
10.
11.
1.
(1)
(2)
(3)
2.
(1)
(2)
(3)
(4)
(5)

(-)

88:88



"PROG"

10

"+"

"-"

"PROG"

"Immediate steam"



45

5

0,

- 90

"+"



3.
(«

"Timing steam"

»)

(1)

"PROG"

PROG 88:88 PROG

(2)

"+" " -",

10

(3)

"PROG",

«45».

"+"

(4)

"PROG",

PROG,

(5)

PROG,

4.

88:88

2 - 8



5.

1.

2.

3.

8

4.

()

("MAX")

5.

1 2.

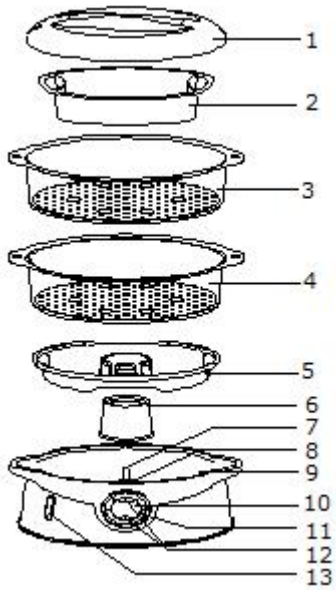
1

800
: 220-240
50
: 3,6 A

1
C
1
1
1



"Saturn".



- 1.
- 2.
- 3. No.2
- 4. No.1
- 5.
- 6.
- 7.
- 8.
- 9. (1)
- 10.

- 11.
- 12.
- 13.

- 1.
- 2.
- 3.
- 4.
- 5.

- 6.
- 7.
- 8.
- 9.
- 10.
- 11.

- 12.
- 13.

- 1.
- 2.

- 3.
- 4.
- 5.
- 6.
- 7.
- 8.
- 9.
- 10.
- 11.

- 1.
- (1)
- (2)
- (3)
- (3)

- (4)

- "-"

45

88:88



"PROG"

10
"+" "-"

"PROG"

"Immediate steam"

"+"
5

- (3)

- (4)

- (5)

- 3.

- (1)

- (2)

- (3)

- (4)

- (5)

- 4.

- 8

- 5.

- 90

"Timing steam"

») "PROG"

PROG 88:88 PROG

"+" "-", 10

"PROG", 45.

"PROG",

PROG,

PROG,

88:88

- 8



1.
 2.
 3. 8
 4. -
 ()
 ("MAX"),
 5. 1 2.
 1
 : 800
 : 220-240
 : 50
 : 3,6
1
1
1
1



Saturn®

INTERNATIONAL MANUFACTURER'S WARRANTY

MEZINÁRODNÍ ZÁRUKA

INTERNATIONAL MANUFACTURER'S WARRANTY

The Warranty is provided for the period of 2 years or more if the Law on User Right of the country where the appliance was bought provides for a greater minimum warranty period.

All terms of warranty comply with to the Law on Protection of the Consumer Rights and are governed by the legislation of the country where the product was bought. The warranty and free of charge repair are provided in any country where the product is delivered to by Saturn Home Appliances or authorized representative thereof, and where no restriction of import or other legal provisions interfere with rendering of warranty services and free of charge repair.

Cases uncovered by the warranty and free of charge repair:

1. Guarantee coupon is filled in improperly.
2. The product has become inoperable because of the Buyer's nonobservance of the service regulations indicated in the instruction.
3. The product was used for professional, commercial or industrial purposes (except for the models, specially intended for this purpose that is indicated in the instruction).
4. The product has external mechanical damage or damage caused by penetration of the liquid inside, dust, insects and other foreign objects.
5. The product has damages caused by non-observance of the rules of power supply from batteries, mains or accumulators.
6. The product was exposed to opening, repair or modification of design by the persons, unauthorized to repair; independent cleaning of internal mechanisms etc. was made.
7. The product has natural wear of parts with limited service life, expendables etc.
8. The product has deposits of scale inside or outside of fire-bar elements, irrespective of used water quality.
9. The product has damages caused by effect of high (low) temperatures or fire on non-heat resistant parts of the product.
10. The product has damages of accessories and nozzles which are included into the complete set of product shipment (filters, grids, bags, flasks, cups, covers, knives, sealing rings, graters, disks, plates, tubes, hoses, brushes, and also power cords, headphone cords etc.).

On the warranty service and repair, please contact the authorized service centers of «Saturn Home Appliances».

MEZINÁRODNÍ ZÁRUKA

Záruka se poskytuje na dobu 2 roky. V případě že Zákon na ochranu spotřebitele dané země nařizuje delší dobu, prodlužuje se záruka na tuto dobu.

Veškeré záruční podmínky odpovídají Zákonu o ochraně práv uživatelů a jsou řízené zákonodárstvím státu, kde byl výrobek koupen. Záruka a bezplatná oprava se poskytují v každém státě, kam jsou výrobky dodané společností „Saturn Home Appliances“ nebo jejím zplnomocněným zástupcem a kde nejsou žádná omezení na dovoz nebo jiné právní předpisy omezující poskytnutí záručního servisu a bezplatné opravy.

Případy, na které se záruka a bezplatná oprava nevztahují

1. Záruční list je vyplněn nesprávně.
2. Výrobek byl poškozen kvůli tomu, že zákazník nesplnil pravidla použití, která jsou uvedena v návodu.
3. Výrobek byl používán k profesionálním, komerčním nebo průmyslovým účelům (kromě modelů speciálně určených pro tyto účely, což je uvedeno v návodu).
4. Výrobek má vnější mechanická poškození nebo poškození, vyvolaná tím, že se dovnitř dostala tekutina, prach, hmyz a jiné cizí předměty.
5. Výrobek má poškození, která jsou vyvolaná nesplněním pravidel napájení od baterií, sítí nebo akumulátorů.
6. Výrobek rozebírali, opravovali nebo měnili jeho konstrukci lidé, kteří nebyli zplnomocněni k opravě, bylo provedeno samostatné ústřední vnitřní mechanismy a pod.
7. Výrobek má přirozené opotřebování dílů s omezenou dobou použití, spotřebních materiálů atd.
8. Výrobek má vrstvu usazeniny uvnitř nebo zvenku termoelektrických ohřevů, bez ohledu na kvalitu používané vody.
9. Výrobek má poškození, která jsou vyvolána působením vysokých (nízkých) teplot nebo ohněm na termonestabilní části výrobku.
10. Výrobek má poškození způsobené příslušenstvím a nástavce, které jsou dodané spolu s výrobkem (filtry, síky, sádky, baňky, mísy, víka, nože, šlehače, struhadla, kotouče, talíře, trubky, hadice, kartáče a také síťové šňůry, sluchátkové šňůry atd.).

V otázkách záručního servisu a oprav se obraťte na autorizovanou servisní středisko společnosti „Saturn Home Appliances“.

2

«Saturn Home Appliances»

- 1.
- 2.
- 3.
- 4.
- 5.
- 6.
- 7.
- 8.
- 9.
- 10.

«Saturn Home Appliances».

					LCD		
.4	" "	8-988-993-37-78	+		+	+	+
18		8(8553) 32-22-11 8-960-047-22-11	+	+	+	+	+
98	« - »	8(86133) 6-09-84, 8-918-215-57-75	+	+	+	+	+
48, .108	" - "	8(3955) 67-00-44, 8(3955) 56-61-77	+	+	+		+
.109	-	8(86152)2-81-99	+	+	+	+	+
.1, .1, 12	« -29»	8(8182) 44-15-55	+				
.47	« »	8(8512)25-19-39 8(8512) 25-12-00	+	+	+		
16, 2 .7	« »	8(8512) 54-67-67, 8(8512) 54-91-91				+	+
.15	« »	8(85141) 3-61-25	+	+	+	+	+
32		8-927-552-47-21, 8-937-122-13-99				+	+
.113	« »	8(3852) 63-94-02	+		+	+	+
.25		8-905-425-60-4-73	+	+	+		

№ 37	-	8(8635) 47-47-72, 8(8635) 47-47-72	+	+	+	+	+
№ 63	« »	8(86155)3-11-00, 8-918-980-64-75	+	+	+	+	+
№ 84	..	8(86559) 2-08-02, 8(86559)5-29-71	+	+	+	+	+
№ 58	« »	8(8442) 23-41-36, 8(937) 717-93-34	+		+		
№ 173	« »	8(8442) 97-50-10, 8-960-883-59-00			+		
№ 4	..	8(8442) 98-16-47, 8(8442) 53-06-04	+	+	+	+	+
№ -	« »	8-961-688-53-48			+		
№ 9		8-927-521-52-00			+	+	+
№ 32		8-937-722-68-12				+	+
№ 158		8-937-730-66-03			+	+	+
№ ..		8-904-404-14-55				+	+
№ C 12/15	«Master»	8-928-126-63-66	+		+		

№ 77-65	« »	8(937) 717-93-36	+		+		
№ 65	« »	8(8172) 70-03-45, 8(8172) 54-21-54	+		+	+	+
№ 1	« »	8(8172) 52-72-51	+		+		
№ 46	" "	8(473) 260-09-08, 8(473) 240-57-73	+		+	+	
№ 140/1	- ..	8(87951) 6-47-93, 8-928-654-28-01			+		
№ 48	« »	8-962-655-20-00	+	+	+	+	+
№ 68	« »	8(8313) 21-14-14	+		+		
№ 54	« »	8(8313) 20-93-00, 8(8313) 20-92-94			+		
№ 63	" "	8(84235) 2-86-59, 8(84235) 9-14-64	+		+	+	+
№ 84	« »	8(86132) 2-11-71, 8(86132) 3-66-02	+	+	+	+	+
№ 64	" "	8(343)240-26-60	+		+		
№ 16	/ " "	8(343) 201-51-41, 8(343)347-76-83	+	+	+	+	+

47	« »	8(47467) 4-12-08, 8(47467) 4-33-17	+		+			
45/6	« - »	8(4932) 335185, 8(4932) 335236	+	+	+	+	+	
4	« - »	8(3412) 3079-79, 8(3412)30-83-07	+		+	+	+	
76	« - »	8(3412) 78-76-85, 8(3412) 78-06-64	+		+	+	+	
7/1, 301, 307	« - »	8(3412) 44-60-40, 8(3412) 44-60-67			+			
7 (« »)	« 26»	8(86545) 2-74-74			+			
24	« »	8(8362) 24-11-24, 8(8362) 25-55-40	+	+	+	+	+	
20	« »	8(39520) 65-04-95, 8(39520) 93-16-56	+		+	+		
24	" "	8(3952) 42-55-76, 8(3952) 78-15-83	+		+			
38	« »	8(843) 248-71-17, 8(843) 258-85-65	+		+			
25, 47	« »	8 (4842) 54-82-22, 8 (4842) 54-83-33	+	+	+	+	+	
33	-	8(3439) 39-95-20, 8(34399)34-74-40	+	+	+	+	+	

53/2	-	8(3842) 35-39-67	+				+	
42	« - »	8(8332) 56-25-95, 8(8332) 54-70-77	+			+	+	
9	-	8-988-548-24-36	+	+	+			
5	« »	8(4942) 300107, 8(4942) 300107	+			+	+	+
2,	..	8(86142)4-43-59	+	+	+	+	+	+
3	-	8(861) 267-50-88	+	+	+	+	+	+
103, 55	« - - »	8(861) 222-64-13, 8(861) 222-85-55, 8-905-408-08-38	+	+	+	+	+	+
42/2	..	8-918-041-31-04, 8(86131) 71-2-72			+			+
116	..	8(86164) 7-01-22			+			
57	" "	8(86145) 3-78-74	+	+	+	+	+	+
25	« »	8(86164) 65-4-95, 8-918-355-81-70	+	+			+	+

1		8(86153) 4-16-70		+				
	" "	8(86151) 4-33-54, 8-918-464-00-86	+	+		+	+	
1	« »	8(3912) 93-54-33, 8(3912) 94-52-82	+	+	+	+	+	
36-	« +»	8 (4712) 50-85-90, 8 (4712) 35-04-91	+	+	+	+	+	
2	« »	8 (86169) 7-39-99, 8(86169) 7-24-96	+	+	+	+	+	
.66	" "	8(4742) 33-45-65, 8(4742) 33-45-95	+	+	+	+	+	
.29	« »	8 (8772) 52-36-90	+	+	+	+	+	
25	« - »	8 (8772) 55-62-38		+				+
.20	« »	8(8722) 93-30-73	+	+	+	+	+	
11	« »	8(86385) 2-33-26 8-960-458-07-11	+	+		+	+	
.16, .9	« »	8 (499) 340-29-89, 8 (499) 733-25-00		+				
1534	« - »	8(499) 717-82-07, 8(499) 717-82-12	+		+	+	+	

.3 (. .)	« »	8(495) 721-30-70, 8(499) 168-05-19, 8(499) 168-47-15	+		+	+	+	
.20 (30/05)	« »	8(8552) 359002, 8(8522) 359042	+	+	+			
24	" "	8(8662) 42-04-30 8(8662) 42-12-21	+		+	+		
55	« »	8(86554) 5-59-77, 8(86554) 3-67-57	+	+	+	+	+	
.9 (. « »)	« »	8(8555) 48-08-80, 8-917-906-60-06	+		+	+	+	
.21	« »	8(831) 229-63-66, 8(831) 229-60-87	+		+	+		
.18	« - »	8(831) 46-18-848			+			+
.6	« - »	8(831) 46-18-848			+			+
.18	« »	8 (3843) 20-31-33	+		+	+	+	
.14	« - »	8(8617) 63-11-15, 8(8617) 63-03-95	+	+	+	+	+	
17	" "	8(383)274-99-33, 8(383) 274-99-45	+		+			
24		8(86369) 3-74-75, 8-928-609-35-85	+	+	+			
.4	. . .	8 (3532) 36-87-94	+			+	+	

.16	« - »	8(3532) 77-67-64 , 8(3532) 78-15-82	+	+	+	+	+
.130	" "	8(3812)36-42-02	+		+	+	+
.2	« - +»	8(3537) 33-84-43, 8(3537) 35-13-18	+	+	+	+	+
.2	« »	8(8412) 26-09-60, 8(8412) 26-12-29	+		+	+	+
.3,	« - »	8 (342) 221-40-99	+	+	+	+	+
.11	« - »	8(8142) 78-06-93, 8(8142) 70-65-48	+		+		
.11	« »	8 (8112)-53-86-30, 8 (8112)-53-86-50	+		+		
.12		8(793) 31-84-16	+	+	+	+	+
5- .13	" "	8(8793) 98-70-11	+	+	+	+	+
.148		8(47396) 48-911	+	+	+	+	+
.37	« - »	8(863) 250-47-77	+		+		
.50- .1/52, 55	« »	8 (863) 21-92-112, 8-800-100-51-52	+	+	+	+	+

.11 /17		8-906-453-35-81	+		+		
.12	« »	8(4855) 22-04-77, 8(4855) 25-38-60	+	+	+	+	+
.14	" "	8(86370) 2-19-50	+	+	+	+	+
.12	" "	8(4855) 22-04-77, 8(4855) 25-38-60	+	+	+	+	+
21	« »	8(4855) 24-31-21	+	+	+	+	+
.14,	« - »	8(4912) 76-88-01, 8(4912) 40-30-30	+	+	+	+	+
.42" "	« - »	8(4912) 41-33-02,	+	+	+	+	+
52, .8, 9		8(846) 931-85-46	+	+	+	+	+
63	" - "	8(846) 379-54-54	+	+	+	+	+
.197	« - XXI»	8(812) 600-11-97	+	+	+	+	
.41,	« - »	8(812) 325-36-56, 8(812) 325-36-57	+		+	+	
.11, 36 ,	« -95»	8(812) 822-18-00, 8(812) 320-06-61	+				

1	« - »	8(8342) 23-05-91, 8(8342) 47-48-59	+	+	+		
3-	« - »	8(8452) 35-11-80, 8(8452) 55-43-63	+	+	+	+	+
.167/1		8-951-522-38-11	+	+	+	+	+
.253	« »	8(496) 547-04-95, 8(496) 549-32-79	+	+		+	+
.90	« »	8 (8622)55-51-19, 8 (8622) 55-01-08	+			+	+
.50	« »	8(8652) 74-01-91	+	+	+		
63	« »	8(8652) 24-30-14, 8(8652) 23-31-81	+	+	+	+	+
15	« »	8(8652)95-53-68, (8652)95-61-90			+		
.1	« - »	8 (4725) 24-62-27, 8 (4725) 24-73-49	+	+	+		
.158	« - »	8(3473) 20-12-13, 8(3473) 20-27-70	+			+	+
.25	« »	8(8212) 22-95-29, 8(8212) 29-12-20	+	+	+	+	+
137	« -2000»	8(4752) 56-19-42, 8(4752) 56-19-44	+	+	+	+	+

88/15	-	8-910-834-80-35, 8-952-065-89-10	+			+	
.24/2		8(86130) 4-86-59, 8-918-147-02-03	+	+		+	+
.2/2	" - "	8(86196) 7-20-53	+	+	+	+	+
.48	« +»	8(8482) 22-72-41, 8(8482) 22-71-85, 8(8482) 61-65-64	+	+	+	+	+
.58	« -2»	8(3822) 56-23-35, 8(3822) 48-08-80	+			+	
.137	« - »	8(4872) 31-12-57	+	+	+	+	+
.55	" "	8(3452) 47-35-69	+			+	+
.28	« »	8(3012) 21-89-63	+			+	+
.18, 18, 2	« »	8(8422) 31-00-00	+	+	+	+	+
.16/7	« »	8(8422)73-44-22, 8(8422) 73-29-19	+	+		+	+
.378	« - »	8(87875) 7-44-82	+	+	+		
.148	« » -	8(3472) 77-12-62	+			+	
153, .42, 7	« »	8(347) 279-90-70, 8(347) 241-62-02					+

15	" "	8(86391) 2-18-06	+		+		
36	« »	8(8352) 62-30-97, 8(4942) 63-20-98	+		+		
.102 ()		8(351) 772-72-05, 8(351) 772-73-66, 8(351) 772-69-01	+	+	+	+	+
. . 8 ()		8(351) 239-39-34, 8(351) 239-39-35	+	+	+	+	+
. . 18	« »	8(8202) 54-31-88	+		+	+	+
. 340" "	« - »	8(8782) 27-30-60, 8(8782) 27-70-77	+	+	+	+	+
. . 48, . 11	" . ."	8(8782)25-04-66, 8(8782)25-19-15	+	+	+	+	+
. 1		8-904-345-83-18	+	+	+	+	+
. 3- . 21	« »	8 (84722) 9-52-07, 8-937-469-52-07	+	+	+	+	+
. 57	« - »	8(8453) 55-80-89, 8-964-848-45-06	+		+	+	+

. . 12	« - »	8 (4852) 25-94-83	+		+		
--------	-------	-------------------	---	--	---	--	--

UA

- 2
- «Saturn Home Appliances»
- 1.
- 2.
- 3.
- 4.
- 5.
- 6.
- 7.
- 8.
- 9.
- 10.

«Saturn Home Appliances».

				/	-	-
1	,36	Hi-Fi	(064) 424-89-50	+	+	+
2	.14		(065)632 21 83, 050-904-57-17	+	+	+
3	,66		062744-60- 38(39)	+	+	+
4	,49	-	(04563) 633-19	-	+	-
5	.50- ,82	-	(045) 63-68-413	+	+	+
6	,57		(041) 43-406-36	+	+	-
7	,43	" "	(0314 1) 43-432	+	+	+
8	,3, .8	-	(044) 332-01-67	+	+	+
9	,42	-	(0432) 46-50-01	+	+	-
10	,61		(0432) 61-95-73	+	+	+
11	,16	-	(0432) 464393; (0432) 468213	+	+	+
12	,3		(0432) 64-24- 57, (0432) 64-26-22	+	+	+
13	,1		(0432) 509-191, 579-191	+	+	+
14	,68,1 ,420		(0562) 337-574	+	+	+
15	17 .130	-	(056) 778-63-25 (28)	+	+	+
16	,59		(0562) 35-04-09	+	+	+
17	,118		(0562) 67-60-44	+	+	+

18	,41		(056) 790-04-60	+	+	+
19	,9		(068) 851-33-33	+	+	+
20	,188		(062) 3450607 0953204451	+	+	+
21	,129	-	(062) 349-26-81	+	+	+
22	,1	-	(062) 3027569 (066)5082652	+	+	+
23	,8	" "	(0412) 471-568	+	+	-
24	,4 .222		(067) 410 2198	+	+	+
25	,24	C	(0412) 47-07- 42, 42-11-53	+	+	-
26	,50	-	(061) 220-97-65 (64)	+	+	+
27	,175		(061) 701-65-96	+	+	+
28	,83	-	(061)212-03-03	+	+	+
29	,75		066-085-75-39	+	+	+
30	,19		(0342)559-525, 750-777	+	+	+
31	,14		(0342) 754737	+	+	-
32	,9	-	096-729- 4038,067-484- 9888	+	+	+
33	,76		(04597) 57393	+	+	-
34	,161	-	(04736) 629-49	+	+	+

35	' 1	-	(044) 591-11-90	+	+	+
36	, . ,1	" "	(044) 4269198	+	+	-
37	' 57 ,9	-	(044) 369-5001 (063) 486-6999	+	+	+
38	' ,10		(06272) 2-62-23, (050) 279-68-16	+	+	+
39	' ,1	" "	(0522) 301-456	+	+	+
40	' ,2		(0522) 35-79-23	+	+	+
41	' ,98	-	(0522) 270-345,349-585	+	+	+
42	' ,13		(097) 264-21-67, 776-67-70	+	+	+
43	' .5 3,	" "	(04142) 5-05-04	+	+	+
44	' ,15-106	. .	(06264) 5-93-89	+	+	+
45	' ,7		(050) 526-06-68	+	+	+
46	' ,44, .1		(05366) 39-192	+	+	-
47	' ,42		(056) 401-33-56, 404-00-80, 474-61-03	+	+	+
48	' ,9		(056) 4092302 03	+	+	+
49	' ,64/7		(0564) 40-07-79	+	+	+
50	' ,73	" "	(056) 440-07-64	+	+	+
51	' ,81		(050) 214-91-73; (066) 017-02-03	+	+	+
52	' ,49	-	(0642) 505-783	+	+	+

53	,50		(0642)50-57-83	+	+	+
54	' ,96		(0642) 494-217, 33-11-86	+	+	+
55	' ,1	-	(0332)290752	+	+	+
56	' ,15		(032) 244-53-44	+	+	+
57	' 35	" "	(032) 2973631	+	+	+
58	' 2		(032) 247-14-99	+	+	+
59	' ,116	" - "	(032) 245-80-52	+	+	-
60	' ,28		(032) 239-51-52 (032) 239-55-77,295-50-28, 295-50-29	+	+	+
61	' ,9	" "	032-267-63-26	+	+	-
62	' 242		(062)322-55-50	+	+	+
63	' ,2	-	04337-64847;0432-468213	+	+	+
64	' ,24/1		(099) 262-11-18	+	+	+
65	' ,46		(03131)37-337, 37-336	+	+	-
66	' ,50 ,32/18		(0629) 41-06-50	+	+	+
67	' ,227	" - "	(0629) 473-000	+	+	+
68	' ,33,	" "	(0512) 580-555	+	+	+

69	, 49	" "	0512-58-21-80	+	+	+
70	, 2		(0512) 58-06-47	+	+	+
71	, 62	-	(05662) 22-488, (097) 402-71-95	+	+	-
72	, 97, .2	" "	(05662) 4-15-03	+	+	-
73	, 38		(055) 497-26-17	+	+	-
74	, 38	" "	(041)4152010	+	+	-
75	, 66 ()		048-7317704; 7317703;	+	+	+
76	, 90		(048) 700 17 37	+	+	+
77	, 55	" "	(048) 715-10- 25, (0482) 39- 06-18	+	+	+
78	, 67	" "	8(05632) 6-15- 54, (05632) 6- 23-42	+	+	-
79	, 26		050-013-72-17, 0532-509889	+	+	+
80	, 14		(0532) 69-42-62	+	+	+
81	, 21	-	(0532) 69-09-46 (093)562-81-25	+	+	+
82	, 66		(0532)615-621	+	+	+
83	, 371	-	(04637)53-982 (093)753-38-28	+	+	+
84	, 101/1		(046) 3738595	+	+	+

85	, . , 12	-	(0362) 26-67- 53,26-65-85	+	+	-
86	, . 26		(0692) 55-56- 43, 45-36-99	+	+	+
87	, 72	-	(0652)-69-07-78	+	+	+
88	, 17/1	" "	(0652) 522-771	+	+	+
89	, 32	-	(04733)-46-182	+	+	-
90	15 ()		(06444)40289	+	+	+
91	, 171 /10	-	(245) 53-136	+	+	+
92	, 19		(0542) 705-296	+	+	-
93	, 17	SLT- Service	(0542) 78-10-13	+	+	+
94	, 2	" "	(0352) 26-30- 13, 23-17-97	+	+	-
95	, 1/24	" "	(047) 44-46- 614,(047) 44- 46-134	+	+	+
96	, 101		(0312) 661-297	+	+	+
97	, 12		(057) 717-13- 39, 702-16-20	+	+	+
98	, 3		(057) 734-97- 24, 712-51-81	+	+	-
99	18 ()	" "	(096) 595-37-46	+	+	+
100	, 1		(03142) 42-258	+	+	+
101	, 5		(0552) 29-60-42	+	+	+
102	, 28		(0552) 43-40-33	+	+	+

103			(0552) 420-235	-	-	+
104			(0382)78-37-55, 78-37-73	+	+	+
105		-	(0382) 723-241, 723-240	+	+	+
106			097-549-20-36	+	+	+
107			0472-633-728	+	+	+
108			(0472) 435-389	+	+	+
109	146,	" - "	(0472) 563-478, 500-354, (096) 505-63-63	+	+	+
110			(0462) 601585	+	+	+
111			(0462) 724872,724949	+	+	+
112			(0372) 55-48- 69,90-13-11	+	+	+
113			(0372) 58-43-01	+	+	+
114		" - "	(050) 373-73-71	+	+	+
115		(-)	(050) 324-43-01	+	+	-

GB

WARRANTY COUPON

**When purchasing the product,
please require its checking before you;**

BE SURE

**that the goods sold to you, are functional and complete
and that the warranty coupon is filled in correctly.**

This warranty coupon confirms the absence of any defects in the product you purchased and provides for free of charge repair of the product failed through the fault of the manufacturer throughout the period of warranty service and free of charge repair.

Failing the presentation of this coupon, in case of its improper filling in, infringement of factory seals (if any), and also in cases indicated in the warranty obligations, the claims are not accepted, and no warranty service and free of charge repair is made!

The warranty coupon is valid only in the original copy with the stamp of trading organization, signature of the seller, date of sale and signature of the buyer.

CZ

ZÁRU NÍ LIST

**P i koupi výrobku
žádejte o jeho vyzkoušení ve Vaší p ítomnosti,**

P ESV D TE SE,

**že Vám prodaný výrobek je dob e fungující a kompletní
a že záru ní list je vypln n správn .**

Tento záru ní list potvrzuje, že na Vámi koupeném výrobku nejsou žádné vady a zajiš ůje bezplatnou opravu nefungujícího p ístroje z viny výrobce, b hem celé záru ní doby.

Bez p edložení tohoto listu, p i jeho nesprávném vypln ní, porušení plomb výrobce (jsou-li na výrobku) a také v p ípadech, které jsou uvedené v záru ním list , nároky se nep íjímají a záru ní oprava se neprovádí!

Záru ní list je platný jenom jako originál s razítkem obchodní organizace, podpisem prodáv á, termínem prodeje a podpisem zákazníka.

RU

Saturn®

WARRANTY COUPON

ZÁRU NÍ LIST

SATURN HOME APPLIANCES S.R.O. KON VOVA 141, 13083 PRAHA 3 – ŽIŽKOV, ĚSKÁ REPUBLIKA, TEL: + 4202/ 67 108 392

Model /

Production number/Výrobní íslo/
/

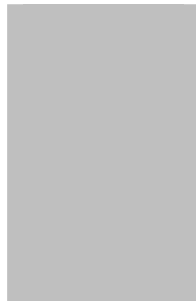
Date of sell/Termín prodeje/ /

Shop stamp/Razítko obchodu/ /

Seller's signature/Podpis prodava e/ /

Buyer's Signature confirming the acquaintance and consent with conditions of free of charge maintenance service of the product, and absence of the complaints on appearance and color of the product.

Podpis zákazníka, potvrzující seznámení a souhlas s podmínkami bezplatného záru ního servisu výrobku, a také neexistence nárok na vn ěšek a barvu výrobku.



UA

Saturn	Saturn	Saturn
Model /	Model /	Model /
Production number /	Production number /	Production number /
Name of the Trade Company /	Name of the Trade Company /	Name of the Trade Company /
Stamp of the Trade Company /	Stamp of the Trade Company /	Stamp of the Trade Company /
Client Address/Phone # /	Client Address/Phone # /	Client Address/Phone # /
Date of Receiving /	Date of Receiving /	Date of Receiving /
Defect /	Defect /	Defect /
Signature, Stamp / , /	Signature, Stamp / , /	Signature, Stamp / , /
COUPON 1	COUPON 2	COUPON 3