

Saturn[®]

ST-EC1186

FOOD STEAMER



GB

FOOD STEAMER

Dear Buyer!
We congratulate you on having bought the device under trade name "Saturn". We are sure that our devices will become faithful and reliable assistance in your housekeeping.

Avoid extreme temperature changes. Rapid temperature change (e.g. when the unit is moved from freezing temperature to a warm room) may cause condensation inside the unit and a malfunction when it is switched on. In this case leave the unit at room temperature for at least 1.5 hours before switching it on. If the unit has been in transit, leave it indoors for at least 1.5 hours before starting operation.

GENERAL SAFETY INSTRUCTIONS

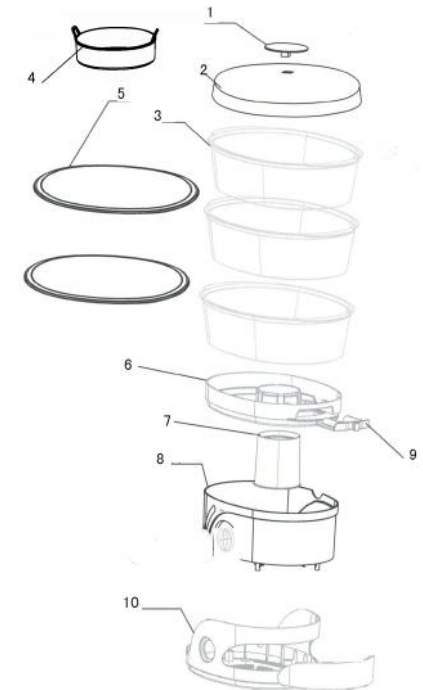
Read the operating instructions carefully before putting the appliance into operation and keep the instructions including the warranty, the receipt and, if possible, the box with the internal packing. If you give this device to other people, please also pass on the operating instructions.

- The appliance is designed exclusively for private use and for the envisaged purpose. This appliance is not fit for commercial use.
- Do not use the appliance outdoors.
- Keep it away from sources of heat, direct sunlight, humidity (never dip it into any liquid) and sharp edges.
- Do not use the appliance with wet hands. If the appliance is humid or wet, unplug it immediately.
- When cleaning or putting it away, switch off the appliance and always pull out the plug from the socket (pull the plug itself, not the lead) if the appliance is not being used and remove the attached accessories.
- Do not operate the machine without supervision. If you leave the room you should always turn the device off. Remove the plug from the socket.
- The device and the mains lead have to be checked regularly for signs of damage. If damage is found the device must not be used.
- Do not try to repair the appliance on your own. Always contact an

authorized technician. To avoid the exposure to danger, always have a faulty cable be replaced only by the manufacturer, by our customer service or by a qualified person and with a cable of the same type.

- Use only original spare parts.
- In order to ensure your children's safety, please keep all packaging (plastic bags, boxes, polystyrene etc.) out of their reach.
- This appliance is not intended for use by persons with reduced physical, sensory or mental capabilities, or lack of experience and knowledge, unless they have been given supervision or instruction concerning use of the appliance by a person responsible for their safety. Not recommended to be used by children under 14 years old.
- Children should be supervised to ensure that they do not play with the appliance.
- Service life – 2 years.

DISCRIPTION



1. Knob
2. Lid

3. Food vessel
4. Rice bowl
5. Joint ring
6. Drip tray
7. Heater cover
8. Water tank
9. Filling water
10. Base plate

BEFORE THE FIRST USE

Remove the packaging. It is also recommended to clean the accessories as described in "Cleaning" section.

HOW TO USE THE FOOD STEAMER

1. Pour the required quantity of cold tap water into the reservoir, do not put anything in the reservoir. Do not use wine, meat or vegetable stock or other liquid. You can add water during the cooking process.
2. Place the food to the steam bowl. Do not add herbs or spices before the end of cooking.

PUT PROPER VOLUME OF FOOD INTO THE STEAMER BOWL, AND IT IS SUGGESTED NO MORE THAN 500 ML EACH TIME. THE ACTUAL SIZE OF COOKED FOOD SHOULD NOT EXCEED THE HEIGHT OF BOWL, OTHERWISE THE COVER CAN NOT BE CLOSED PROPERLY. PLEASE ALWAYS UNFREEZE THE FOOD BEFORE COOKING.

3. Place the lid on the steam bowl. Ensure that the handles of the lid are perfectly in line with the handles of the steam bowl. Do not overfill the steam bowl, thereby blocking the holes in the lid (the steam must be able to circulate and escape freely).
4. Put the steam bowl on the reservoir.
5. Plugging the food steamer in turns on the timer. The indicator lamp lights up.
6. In most cases, the water poured into the reservoir will be sufficient to cook the food. If necessary, due to personal taste or if some foods require a longer cooking time, water may be added to the reservoir and the vaporization process continued by following the instructions.
7. Once if cooking complete, unplug the steamer. When opening the cover, please grasp the handle of the cover firmly and pick up the cover in slightly vertical way and

8. To serve, turn the lid over and slide under the steam bowl. **BON APPETIT!**

CLEANING

1. Remove the plug from the wall socket before cleaning.
2. Allow the steamer to cool down.
3. To clean the upper lid or the steam bowl, use hot soapy water and a soft cloth. Do not use abrasive products. It is not dishwasher-safe.
4. To clean the water reservoir, remove any liquid still in the reservoir by tipping up the reservoir over a sink. Clean the inside with a damp cloth and allow to dry. This process can be repeated for the outside of the reservoir.

ATTENTION

- Do not block up the ventilation hole completely. The plug must be removed before cleaning the steamer and it must be dried before the steamer is used again.
- Do not use the steamer if the lead is damaged.
- If the supply cord on this steamer is damaged, it may only be replaced by a repair center recognized by the manufacturer, since special tools are required.
- The steamer must not be immersed in water for cleaning purposes.
- Do not use the steamer for purposes other than that for which it is intended.
- Please keep away from the hot source and inflammable articles, put the steamer on a flat base when cooking.
- Do not use the steamer without water.

NOTE

Pour in the required quantity of cold water (do not exceed the maximum level and lower the minimum level), before connecting the appliance to the power supply.

SPECIFICATIONS

Power: 900 W
Rated voltage: 220-230 V

Rated current: 4A
Rated frequency: 50Hz

SET

FOOD STEAMER 1
INSTRUCTION MANUAL 1
WITH WARRANTY CARD 1
PACKAGE 1

ENVIRONMENT FRIENDLY DISPOSAL



You can help protect the environment!
Please remember to respect the local regulations: hand in the non-working electrical equipment to an appropriate waste disposal center.
The manufacturer reserves the right to change the specification and design of goods.

RU

"Saturn".

1,5

1,5

1,5

5

1.

2.

3.

4.

5.

6.

7.

8.

9.

10.

11.

12.

13.

14.

15.

16.

17.

18.

19.

20.

21.

22.

23.

24.

25.

26.

27.

28.

29.

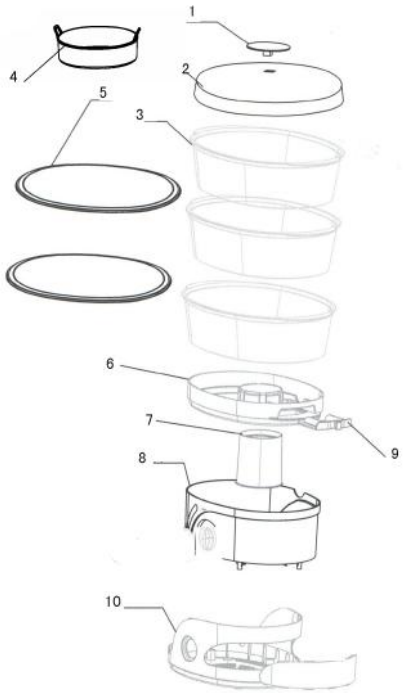
30.

31.

32.

33.

34.



- 1.
- 2.
- 3.
- 4.
- 5.
- 6.
- 7.
- 8.
- 9.
- 10.

1.

2.

500

3.

4.

5.

6.

7.

8.

1.

2.

3.

4.

900
: 220-230
4
50

1

1

1



"Saturn".

1,5

1,5

1.

2.

3.

4.

5.

6.

7.

8.

9.

10.

11.

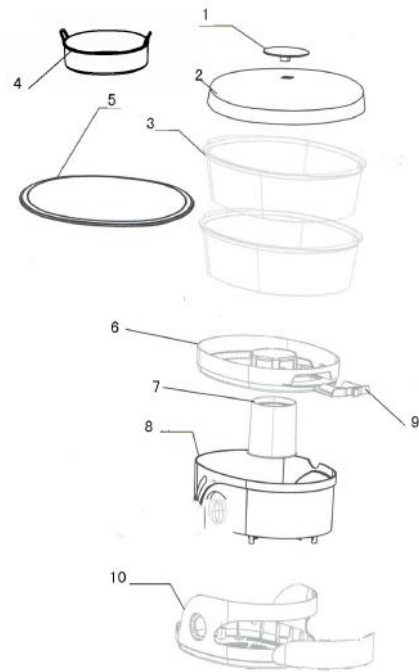
12.

13.

14.

15.

14
- 2



- 1.
- 2.
- 3.
- 4.
- 5.
- 6.
- 7.
- 8.
- 9.
- 10.

1.

2.

500

3.

4.

5.

6.

7.

8.

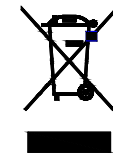
1.

2.

3.

4.

•



900
220-230
:4
50

1

1

1

Saturn®

INTERNATIONAL MANUFACTURER'S WARRANTY

MEZINÁRODNÍ ZÁRUKA

GB

INTERNATIONAL MANUFACTURER'S WARRANTY

The Warranty is provided for the period of 2 years or more if the Law on User Right of the country where the appliance was bought provides for a greater minimum warranty period.

All terms of warranty comply with to the Law on Protection of the Consumer Rights and are governed by the legislation of the country where the product was bought. The warranty and free of charge repair are provided in any country where the product is delivered to by Saturn Home Appliances or authorized representative thereof, and where no restriction of import or other legal provisions interfere with rendering of warranty services and free of charge repair.

Cases uncovered by the warranty and free of charge repair:

1. Guarantee coupon is filled in improperly.
2. The product has become inoperable because of the Buyer's nonobservance of the service regulations indicated in the instruction.
3. The product was used for professional, commercial or industrial purposes (except for the models, specially intended for this purpose that is indicated in the instruction).
4. The product has external mechanical damage or damage caused by penetration of the liquid inside, dust, insects and other foreign objects.
5. The product has damages caused by non-observance of the rules of power supply from batteries, mains or accumulators.
6. The product was exposed to opening, repair or modification of design by the persons, unauthorized to repair; independent cleaning of internal mechanisms etc. was made.
7. The product has natural wear of parts with limited service life, expendables etc.
8. The product has deposits of scale inside or outside of fire-bar elements, irrespective of used water quality.
9. The product has damages caused by effect of high (low) temperatures or fire on non-heat resistant parts of the product.
10. The product has damages of accessories and nozzles which are included into the complete set of product shipment (filters, grids, bags, flasks, cups, covers, knives, sealing rings, graters, disks, plates, tubes, hoses, brushes, and also power cords, headphone cords etc.).

On the warranty service and repair, please contact the authorized service centers of "Saturn Home Appliances".

MEZINÁRODNÍ ZÁRUKA

Záruka se poskytuje na dobu 2 roky. V případě že Zákon na ochranu spotřebitele dané zemí naizuje delší dobu, prodlužuje se záruka na tuto dobu.

Veškeré záruční podmínky odpovídají Zákonu o ochraně práv uživatelů a jsou řízené zákonodárstvím státu, kde byl výrobek koupěn. Záruka a bezplatná oprava se poskytují v každém státě, kam jsou výrobky dodané společností „Saturn Home Appliances“ nebo jejím zplnomocněným zástupcem a kde nejsou žádná omezení na dovoz nebo jiné právní předpisy omezující poskytnutí záručního servisu a bezplatné opravy.

Případy, na které se záruka a bezplatná oprava nevztahují

1. Záruční list je vyplněn nesprávně.
2. Výrobek byl poškozen kvůli tomu, že zákazník nesplnil pravidla použití, která jsou uvedena v návodu.
3. Výrobek byl používán k profesionálním, komerčním nebo průmyslovým účelům (kromě modelů speciálně určených pro tyto účely, což je uvedeno v návodu).
4. Výrobek má vnější mechanická poškození nebo poškození, vyvolaná tím, že se dovnitř dostala tekutina, prach, hmyz a jiné cizí předměty.
5. Výrobek má poškození, která jsou vyvolaná nesplněním pravidel napájení od baterií, sítí nebo akumulátorů.
6. Výrobek rozebírali, opravovali nebo modifikovali jeho konstrukci lidé, kteří nebyli zplnomocněni k opravě, bylo provedeno samostatné čištění vnitřních mechanismů a pod.
7. Výrobek má přirozené opotřebení dílů s omezenou dobou použití, spotřebních materiálů atd.
8. Výrobek má vrstvu usazeniny uvnitř nebo zvenku termoelektrických ohřevů, bez ohledu na kvalitu používané vody.
9. Výrobek má poškození, která jsou vyvolána působením vysokých (nízkých) teplot nebo ohněm na termonestabilní části výrobku.
10. Výrobek má poškození příslušenství a nástavce, které jsou dodány spolu s výrobkem (filtry, sícky, sáčky, bačky, mísy, víka, nože, šlehače, struhadla, kotouče, talíře, trubky, hadice, kartáče a také síťové šňůry, sluchátkové šňůry atd.).

V otázkách záručního servisu a oprav se obraťte na autorizovanou servisní střediska společnosti „Saturn Home Appliances“.

2

«Saturn Home Appliances»

1.

2.

3.

4.

5.

6.

7.

8.

9.

10.

«Saturn Home Appliances».

					LCD		
.4	" "	8-988-993-37-78	+		+	+	+
18		8(8553) 32-22-11 8-960-047-22-11	+	+	+	+	+
98	« - »	8(86133) 6-09-84, 8-918-215-57-75	+	+	+	+	+
48, .108	" - "	8(3955) 67-00-44, 8(3955) 56-61-77	+	+	+		+
.109	-	8(86152)2-81-99	+	+	+	+	+
.1, .1, 12	« -29»	8(8182) 44-15-55	+				
.47	« »	8(8512)25-19-39 8(8512) 25-12-00	+	+	+		
16, 2 .7	« - »	8(8512) 54-67-67, 8(8512) 54-91-91		+		+	+
.15	« - »	8(85141) 3-61-25	+	+	+	+	+
32		8-927-552-47-21, 8-937-122-13-99				+	+
.113	« »	8(3852) 63-94-02	+		+	+	+
.25		8-905-425-60-4-73					

.37	-	8(8635) 47-47-72, 8(8635) 47-47-72	+	+	+	+	+
.63	« - »	8(86155)3-11-00, 8-918-980-64-75	+	+	+	+	+
.84		8(86559) 2-08-02, 8(86559)5-29-71	+	+	+	+	+
.58	« »	8(8442) 23-41-36, 8(937) 717-93-34	+		+		
.173	« - »	8(8442) 97-50-10, 8-960-883-59-00			+		
.4		8(8442) 98-16-47, 8(8442) 53-06-04	+	+	+	+	+
- , -	« - »	8-961-688-53-48			+		
.9		8-927-521-52-00			+		+
.32		8-937-722-68-12					+
158		8-937-730-66-03			+		+
		8-904-404-14-55					+
. C , .12/15	«Master»	8-928-126-63-66	+			+	

77- .65	« »	8(937) 717-93-36	+		+			
.65	« »	8(8172) 70-03-45, 8(8172) 54-21-54	+		+	+	+	
.1	« »	8(8172) 52-72-51	+		+			
.46	" "	8(473) 260-09-08, 8(473) 240-57-73	+		+	+		
140/1	-	8(87951) 6-47-93, 8-928-654-28-01			+			
.48	« »	8-962-655-20-00	+	+	+	+	+	
.68	« »	8(8313) 21-14-14	+		+			
.54	« »	8(8313) 20-93-00, 8(8313) 20-92-94			+			
.63	" - "	8(84235) 2-86-59, 8(84235) 9-14-64	+		+	+	+	
.84	« » -	8(86132) 2-11-71, 8(86132) 3-66-02	+	+	+	+	+	
.64	" -	8(343)240-26-60	+		+			
.16	/ " -	8(343) 201-51-41, 8(343)347-76-83	+	+	+	+	+	

47	« »	8(47467) 4-12-08, 8(47467) 4-33-17	+		+			
.45/6	« - »	8(4932) 335185, 8(4932) 335236	+	+	+	+	+	
.4	« - »	8(3412) 3079-79, 8(3412)30-83-07	+		+	+	+	
.76	« - »	8(3412) 78-76-85, 8(3412) 78-06-64	+		+	+	+	
7/1, 301, 307	« - »	8(3412) 44-60-40, 8(3412) 44-60-67			+			
7 (« »)	« 26» -	8(86545) 2-74-74			+			
.24	« - »	8(8362) 24-11-24, 8(8362) 25-55-40	+	+	+	+	+	
.20	« »	8(39520) 65-04-95, 8(39520) 93-16-56	+		+	+		
.24	" "	8(3952) 42-55-76, 8(3952) 78-15-83	+		+			
.38	« »	8(843) 248-71-17, 8(843) 258-85-65	+		+			
.25,	« - »	8 (4842) 54-82-22, 8 (4842) 54-83-33	+	+	+	+	+	
.47		8(3439) 39-95-20, 8(34399)34-74-40	+	+	+	+	+	
33	-		+	+	+	+	+	

53/2	-	8(3842) 35-39-67	+			+	
.42	« - »	8(8332) 56-25-95, 8(8332) 54-70-77	+		+	+	
, ,9	-	8-988-548-24-36	+	+	+		
5	« - »	8(4942) 300107, 8(4942) 300107	+		+	+	+
, .2,	-	8(86142)4-43-59	+	+	+	+	+
,3	-	8(861) 267-50-88	+	+	+	+	+
103, .55	« - - »	8(861) 222-64-13, 8(861) 222-85-55, 8-905-408-08-38	+	+	+	+	+
.42/2	-	8-918-041-31-04, 8(86131) 71-2-72			+		+
, .116	-	8(86164) 7-01-22			+		
, .57	" " -	8(86145) 3-78-74	+	+	+	+	+
, .25	« - »	8(86164) 65-4-95, 8-918-355-81-70	+	+		+	+
, .1	-	8(86153) 4-16-70			+		

168	" - "	8(86151) 4-33-54, 8-918-464-00-86			+	+		+	+
1	« - »	8(3912) 93-54-33, 8(3912) 94-52-82			+	+	+	+	+
36- , .37-	« +»	8 (4712) 50-85-90, 8 (4712) 35-04-91			+	+	+	+	
, .2	« - »	8 (86169) 7-39-99, 8(86169) 7-24-96			+	+	+	+	+
.66	" "	8(4742) 33-45-65, 8(4742) 33-45-95			+	+	+	+	+
, .29	« - »	8 (8772) 52-36-90			+	+	+	+	
25	« - »	8 (8772) 55-62-38				+			+
.20	« - »	8(8722) 93-30-73			+	+	+	+	+
11	« - »	8(86385) 2-33-26 8-960-458-07-11			+	+		+	+
, .16, .9	« - »	8 (499) 340-29-89, 8 (499) 733-25-00				+			
1534	« - »	8(499) 717-82-07, 8(499) 717-82-12			+		+	+	+
(, .3)	« - »	8(495) 721-30-70, 8(499) 168-05-19, 8(499) 168-47-15			+		+	+	+

№ 20 (30/05)	« »	8(8552) 359002, 8(8522) 359042	+	+	+		
№ 24	" - "	8(8662) 42-04-30, 8(8662) 42-12-21	+		+	+	
№ 55	« - »	8(86554) 5-59-77, 8(86554) 3-67-57	+	+	+	+	+
№ 9 (« »)	« »	8(8555) 48-08-80, 8-917-906-60-06	+		+	+	+
№ 21	« - »	8(831) 229-63-66, 8(831) 229-60-87	+		+	+	
№ 18	« - »	8(831) 46-18-848		+			+
№ 6	« - »	8(831) 46-18-848		+			+
№ 18	« - »	8 (3843) 20-31-33	+		+	+	+
№ 14	« - »	8(8617) 63-11-15, 8(8617) 63-03-95	+	+	+	+	+
№ 17	" - "	8(383)274-99-33, 8(383) 274-99-45	+		+		
№ 24		8(86369) 3-74-75, 8-928-609-35-85	+	+	+		
№ 4		8 (3532) 36-87-94	+			+	+
№ 16	« - »	8(3532) 77-67-64, 8(3532) 78-15-82	+	+	+	+	+

№ 130	" - "	8(3812)36-42-02	+		+	+	+
№ 2	« - +»	8(3537) 33-84-43, 8(3537) 35-13-18	+	+	+	+	+
№ 2	« »	8(8412) 26-09-60, 8(8412) 26-12-29	+		+	+	+
№ 3,	« - »	8 (342) 221-40-99	+	+	+	+	+
№ 11	« - »	8(8142) 78-06-93, 8(8142) 70-65-48	+		+		
№ 11	« - »	8 (8112)-53-86-30, 8 (8112)-53-86-50	+		+		
№ 12		8(793) 31-84-16	+	+	+	+	+
№ 5-13	" "	8(8793) 98-70-11	+	+	+	+	+
№ 148		8(47396) 48-911	+	+	+	+	+
№ 37	« - »	8(863) 250-47-77	+		+		
№ 50-1/52, 55	« »	8 (863) 21-92-112, 8-800-100-51-52	+	+	+	+	+
№ 11 /17		8-906-453-35-81	+		+		

12	« - »	8(4855) 22-04-77, 8(4855) 25-38-60	+	+	+	+	+
14	" "	8(86370) 2-19-50	+	+	+	+	+
12	" - "	8(4855) 22-04-77, 8(4855) 25-38-60	+	+	+	+	+
21	« - »	8(4855) 24-31-21	+	+	+	+	+
1, 14	« - »	8(4912) 76-88-01, 8(4912) 40-30-30	+	+	+	+	+
42"	« - »	8(4912) 41-33-02,	+	+	+	+	+
52, 8, 9		8(846) 931-85-46	+	+	+	+	
63	" - "	8(846) 379-54-54	+	+	+	+	+
e, 197	« - XXI»	8(812) 600-11-97	+	+	+	+	
e, 41,	« - »	8(812) 325-36-56, 8(812) 325-36-57	+		+	+	
e, 11, 36	« -95»	8(812) 822-18-00, 8(812) 320-06-61	+				
1	« - »	8(8342) 23-05-91, 8(8342) 47-48-59	+	+	+		

3-	« - »	8(8452) 35-11-80, 8(8452) 55-43-63	+	+	+	+	+
167/1		8-951-522-38-11	+	+	+	+	+
253	« - »	8(496) 547-04-95, 8(496) 549-32-79	+	+		+	+
90	« - »	8 (8622)55-51-19, 8 (8622) 55-01-08	+			+	+
50, 8/1	« - »	8(8652) 74-01-91	+	+	+		
63	« - »	8(8652) 24-30-14, 8(8652) 23-31-81	+	+	+	+	+
15, 21	« - »	8(8652)95-53-68, (8652)95-61-90			+		
1	« - »	8 (4725) 24-62-27, 8 (4725) 24-73-49	+	+	+		
158	« - »	8(3473) 20-12-13, 8(3473) 20-27-70	+			+	+
25	« - »	8(8212) 22-95-29, 8(8212) 29-12-20	+	+	+	+	+
137	« -2000»	8(4752) 56-19-42, 8(4752) 56-19-44	+	+	+	+	+
88/15	-	8-910-834-80-35, 8-952-065-89-10	+			+	

№ 24/2	-	8(86130) 4-86-59, 8-918-147-02-03	+	+	+	+
№ 2/2	"	8(86196) 7-20-53	+	+	+	+
№ 48	« +»	8(8482) 22-72-41, 8(8482) 22-71-85, 8(8482) 61-65-64	+	+	+	+
№ 58	« -2»	8(3822) 56-23-35, 8(3822) 48-08-80	+		+	
№ 137	« -»	8(4872) 31-12-57	+	+	+	+
№ 55	"	8(3452) 47-35-69	+		+	+
№ 28	« »	8(3012) 21-89-63	+		+	+
№ 18, 2	« »	8(8422) 31-00-00	+	+	+	+
№ 16/7	« -»	8(8422)73-44-22, 8(8422) 73-29-19	+	+	+	+
№ 378	« -»	8(87875) 7-44-82	+	+	+	
№ 148	« -»	8(3472) 77-12-62	+		+	
№ 153, 42, 7	« »	8(347) 279-90-70, 8(347) 241-62-02				+
№ 15	"	8(86391) 2-18-06	+		+	

№ 36	« -»	8(8352) 62-30-97, 8(4942) 63-20-98	+		+	
№ 102 ()	-	8(351) 772-72-05, 8(351) 772-73-66, 8(351) 772-69-01	+	+	+	+
№ 8 ()	-	8(351) 239-39-34, 8(351) 239-39-35	+	+	+	+
№ 18	« »	8(8202) 54-31-88	+		+	+
№ 340" "	« -»	8(8782) 27-30-60, 8(8782) 27-70-77	+	+	+	+
№ 48, 11	" . ."	8(8782)25-04-66, 8(8782)25-19-15	+	+	+	+
№ 1	-	8-904-345-83-18	+	+	+	+
№ 3-21	« -»	8 (84722) 9-52-07, 8-937-469-52-07	+	+	+	+
№ 57	« -»	8(8453) 55-80-89, 8-964-848-45-06	+		+	+
№ 12	« -»	8 (4852) 25-94-83	+		+	

UA

2

«Saturn Home Appliances»

- 1.
- 2.
- 3.
- 4.
- 5.
- 6.
- 7.
- 8.
- 9.
- 10.

«Saturn Home Appliances».

				/	-
					-
					-

1	,36	Hi-Fi	(064) 424-89-50	+	+	+
2	.14		(065)632 21 83, 050-904-57-17	+	+	+
3	,66		062744-60- 38(39)	+	+	+
4	,49	-	(04563) 633-19	-	+	-
5	.50- ,82	-	(045) 63-68-413	+	+	+
6	,57	-	(041) 43-406-36	+	+	-
7	,43	" "	(0314 1) 43-432	+	+	+
8	,3, .8	-	(044) 332-01-67	+	+	+
9	,42	-	(0432) 46-50-01	+	+	-
10	,61		(0432) 61-95-73	+	+	+
11	,16	-	(0432) 464393; (0432) 468213	+	+	+
12	,3		(0432) 64-24- 57, (0432) 64-26-22	+	+	+
13	,1		(0432) 509-191, 579-191	+	+	+
14	,68, 1 ,420		(0562) 337-574	+	+	+
15	17 .130	-	(056) 778-63-25 (28)	+	+	+
16	,59		(0562) 35-04-09	+	+	+
17	,118		(0562) 67-60-44	+	+	+
18	,41		(056) 790-04-60	+	+	+

19	,9		(068) 851-33-33	+	+	+
20	188		(062) 3450607 0953204451	+	+	+
21	,129	-	(062) 349-26-81	+	+	+
22	,1	-	(062) 3027569 (066)5082652	+	+	+
23	,8	" "	(0412) 471-568	+	+	-
24	,4 .222		(067) 410 2198	+	+	+
25	24	C	(0412) 47-07- 42, 42-11-53	+	+	-
26	,50	-	(061) 220-97-65 (64)	+	+	+
27	,175		(061) 701-65-96	+	+	+
28	,83	-	(061)212-03-03	+	+	+
29	,75		066-085-75-39	+	+	+
30	19		(0342)559-525, 750-777	+	+	+
31	14		(0342) 754737	+	+	-
32	,9	-	096-729- 4038,067-484- 9888	+	+	+
33	,76		(04597) 57393	+	+	-
34	,161	-	(04736) 629-49	+	+	+
35	1	-	(044) 591-11-90	+	+	+

36	,1	" "	(044) 4269198	+	+	-
37	,9 .57	-	(044) 369-5001 (063) 486-6999	+	+	+
38	,10		(06272) 2-62- 23, (050) 279-68-16	+	+	+
39	,1	" "	(0522) 301-456	+	+	+
40	,2		(0522) 35-79-23	+	+	+
41	,98	-	(0522) 270- 345,349-585	+	+	+
42	,13		(097) 264-21- 67, 776-67-70	+	+	+
43	,3, .5	" "	(04142) 5-05-04	+	+	+
44	,15-106		(06264) 5-93-89	+	+	+
45	,7		(050) 526-06-68	+	+	+
46	,44, .1		(05366) 39-192	+	+	-
47	,42		(056) 401-33- 56, 404-00-80, 474-61-03	+	+	+
48	,9		(056) 4092302 03	+	+	+
49	,64/7		(0564) 40-07-79	+	+	+
50	,73	" "	(056) 440-07-64	+	+	+
51	,81		(050) 214-91- 73; (066) 017- 02-03	+	+	+
52	,49	-	(0642) 505-783	+	+	+
53	,50		(0642)50-57-83	+	+	+

54	,96	-	(0642) 494-217, 33-11-86	+	+	+
55	,1	-	(0332)290752	+	+	+
56	,15	-	(032) 244-53-44	+	+	+
57	,35	"	(032) 2973631	+	+	+
58	,2	-	(032) 247-14-99	+	+	+
59	,116	"	(032) 245-80-52	+	+	-
60	,28	-	(032) 239-51-52 (032) 239-55- 77,295-50-28, 295-50-29	+	+	+
61	,9	"	032-267-63-26	+	+	-
62	,242	-	(062)322-55-50	+	+	+
63	,2	-	04337- 64847;0432- 468213	+	+	+
64	,24/1	-	(099) 262-11-18	+	+	+
65	,46	-	(03131)37-337, 37-336	+	+	-
66	,50 ,32/18	-	(0629) 41-06-50	+	+	+
67	,227	"	(0629) 473-000	+	+	+
68	,33	"	(0512) 580-555	+	+	+
69	,49	"	0512-58-21-80	+	+	+

70	,2	-	(0512) 58-06-47	+	+	+
71	,62	-	(05662) 22-488, (097) 402-71-95	+	+	-
72	,97, .2	"	(05662) 4-15-03	+	+	-
73	,38	-	(055) 497-26-17	+	+	-
74	,38	"	(041)4152010	+	+	-
75	,66 (.2)	-	048-7317704; 7317703;	+	+	+
76	,90	-	(048) 700 17 37	+	+	+
77	,55	"	(048) 715-10- 25, (0482) 39- 06-18	+	+	+
78	,67	"	8(05632) 6-15- 54, (05632) 6- 23-42	+	+	-
79	,26	-	050-013-72-17, 0532-509889	+	+	+
80	,14	-	(0532) 69-42-62	+	+	+
81	,21	-	(0532) 69-09-46 (093)562-81-25	+	+	+
82	,66	-	(0532)615-621	+	+	+
83	,371	-	(04637)53-982 (093)753-38-28	+	+	+
84	,101/1	-	(046) 3738595	+	+	+
85	,12	-	(0362) 26-67- 53,26-65-85	+	+	-

86	, , 26		(0692) 55-56-43, 45-36-99	+	+	+
87	, 72	-	(0652)-69-07-78	+	+	+
88	, 17/1	" - "	(0652) 522-771	+	+	+
89	, 32	-	(04733)-46-182	+	+	-
90	15 (, .)		(06444)40289	+	+	+
91	, 171 /10	-	(245) 53-136	+	+	+
92	, 19		(0542) 705-296	+	+	-
93	, 17	SLT- Service	(0542) 78-10-13	+	+	+
94	, 2	" "	(0352) 26-30-13, 23-17-97	+	+	-
95	, 1/24	" "	(047) 44-46-614,(047) 44-46-134	+	+	+
96	, 101		(0312) 661-297	+	+	+
97	, 12		(057) 717-13-39, 702-16-20	+	+	+
98	, 3		(057) 734-97-24, 712-51-81	+	+	-
99	18 (, - 42)	" "	(096) 595-37-46	+	+	+
100	, 1		(03142) 42-258	+	+	+
101	, 5	-	(0552) 29-60-42	+	+	+
102	, 28		(0552) 43-40-33	+	+	+
103	, 35		(0552) 420-235	-	-	+

104	, 18		(0382)78-37-55, 78-37-73	+	+	+
105	, 10/1	-	(0382) 723-241, 723-240	+	+	+
106	, 63		097-549-20-36	+	+	+
107	, 7, . 301		0472-633-728	+	+	+
108	, 71	-	(0472) 435-389	+	+	+
109	146, . 102	" - "	(0472) 563-478, 500-354, (096) 505-63-63	+	+	+
110	, . 77- , 1		(0462) 601585	+	+	+
111	, 6		(0462) 724872,724949	+	+	+
112	, 105 ()		(0372) 55-48-69,90-13-11	+	+	+
113	, 265		(0372) 58-43-01	+	+	+
114	, 3	" - "	(050) 373-73-71	+	+	+
115	, 5 (.)		(050) 324-43-01	+	+	-

GB

WARRANTY COUPON

When purchasing the product, please require its checking before you; BE SURE that the goods sold to you, are functional and complete and that the warranty coupon is filled in correctly.

This warranty coupon confirms the absence of any defects in the product you purchased and provides for free of charge repair of the product failed through the fault of the manufacturer throughout the period of warranty service and free of charge repair.

Failing the presentation of this coupon, in case of its improper filling in, infringement of factory seals (if any), and also in cases indicated in the warranty obligations, the claims are not accepted, and no warranty service and free of charge repair is made! The warranty coupon is valid only in the original copy with the stamp of trading organization, signature of the seller, date of sale and signature of the buyer.

CZ

ZÁRUČNÍ LIST

Při koupi výrobku žádejte o jeho vyzkoušení ve Vaší přítomnosti, PŘESVĚDČTE SE, že Vám prodaný výrobek je dobře fungující a kompletní a že záruční list je vyplněn správně.

Tento záruční list potvrzuje, že na Vámi koupeném výrobku nejsou žádné vady a zajišťuje bezplatnou opravu nefungujícího přístroje z viny výrobce, během celé záruční doby.

Bez předložení tohoto listu, při jeho nesprávném vyplnění, porušení plomb výrobce (jsou-li na výrobku) a také v případech, které jsou uvedené v záručním listě, nároky se nepřijímají a záruční oprava se neprovádí! Záruční list je platný jenom jako originál s razítkem obchodní organizace, podpisem prodávatele, termínem prodeje a podpisem zákazníka.

RU

UA

Saturn®

WARRANTY COUPON

ZÁRU NÍ LIST

SATURN HOME APPLIANCES S.R.O. KON VOVA 141, 13083
PRAHA 3 – ŽIŽKOV, ES KÁ REPUBLIKA, TEL: + 4202/ 67 108 392

Model /

Production number/Výrobní íslo/
/

Date of sell/Termín prodeje/ / ,

Shop stamp/Razítko obchodu/ /

Seller's signature/Podpis prodava e/ /

Buyer's Signature confirming the acquaintance and consent with conditions of free of charge maintenance service of the product, and absence of the complaints on appearance and color of the product.
Podpis zákazníka, potvrzující seznámení a souhlas s podmínkami bezplatného záru ního servisu výrobku, a také neexistence nárok na vn jšek a barvu výrobku.

36

Saturn® Model / / Production number / / Name of the Trade Company / / Stamp of the Trade Company/ / Client Address/Phone # / / Date of Receiving/ / Defect / / Signature, Stamp / / COUPON 1	Saturn® Model / / Production number / / Name of the Trade Company / / Stamp of the Trade Company/ / Client Address/Phone # / / Date of Receiving/ / Defect / / Signature, Stamp / / COUPON 2	Saturn® Model / / Production number / / Name of the Trade Company / / Stamp of the Trade Company/ / Client Address/Phone # / / Date of Receiving/ / Defect / / Signature, Stamp / / COUPON 3
---	---	---

37