

Saturn[®]

ST-EC7177

FOOD STEAMER



GB

FOOD STEAMER

Dear Buyer!

We congratulate you on having bought the device under trade name « Saturn ». We are sure that our devices will become faithful and reliable assistance in your housekeeping.

Avoid extreme temperature changes. Rapid temperature change (e.g. when the unit is moved from freezing temperature to a warm room) may cause condensation inside the unit and a malfunction when it is switched on. In this case leave the unit at room temperature for at least 1.5 hours before switching it on. If the unit has been in transit, leave it indoors for at least 1.5 hours before starting operation.



Please follow the instruction for use carefully! Otherwise, there is a risk of burns and scalding!

Safety instructions

1. Check that the power supply voltage corresponds to that shown on the appliance. The device should be plugged into a grounded outlet.
2. Do not place the appliance near the hot source or in a hot oven, as serious damage could result.
3. Never leave the appliance in operation unattended. Keep away from children.
4. Do not use device if its component parts (the power cord, plug, etc.) are damaged. Do not attempt to repair the device yourself. Please contact an authorized service centre for qualified inspection and repair.
5. If the supply cord is damaged, it must be replaced by the manufacturer service agent in order to avoid a hazard.
6. Burns can occur by touching the hot surface of the appliance, the hot water, the steam or the food.
7. Never immerse the appliance in water!
8. Do not move the appliance when it is full of liquid or hot foods.
9. Do not touch the appliance when it is steaming and use oven gloves to remove the lid, rice bowl and steamer baskets.

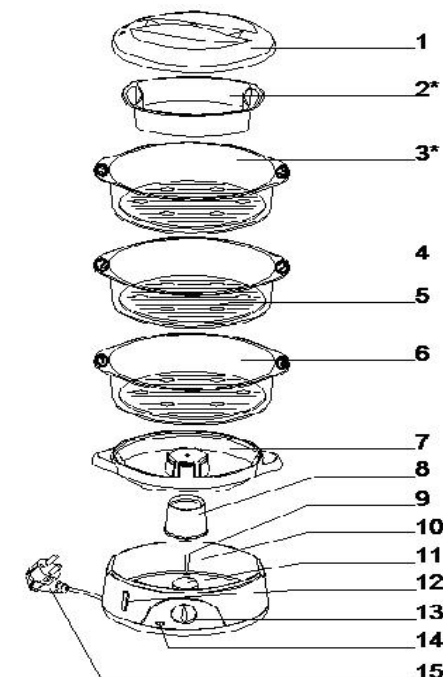
10. Always unplug the appliance immediately after use, when moving it or prior to any cleaning or maintenance.

11. This appliance is not intended for use by persons (including children) with reduced physical, sensory or mental capabilities, or lack of experience and knowledge, unless they have been given supervision or instruction concerning use of the appliance by a person responsible for their safety. Not for use by children under the age of 14. Children should be supervised to ensure that they do not play with the appliance.

12. This appliance cannot be operated by an individual timer or remote set.

13. Service life – 2 years

Description



1. Lid
2. Rice bowl (1L capacity) (*depending on model)
3. Steam basket No. 3 (*depending on model)
4. Steamer basket No. 2
5. Built-in egg holder
6. Steamer basket No. 1
7. Juice collector

8. Removable turbo ring
9. Inside Maximum water level
10. Water tank
- (1 hour continuous use)
11. Heating element
12. Exterior water level indicator
13. 60-minute timer
14. On indicator light
15. Power cord

Instruction for use

1. Using warm water and washing up liquid, wash all the removable parts and the inside of the water tank, rinse and dry.
2. Place the base unit on a stable surface, put the turbo ring around the heating element (the largest side on the bottom).
3. Pour the fresh water directly into the water tank up to the maximum level.
4. Put the food on the center of baskets, place the baskets on the top of the juice collector and put the lid on.
5. Plug in and set the time recommended for cooking (indicated on the food steamer body), the indicator light on and steam cooking has begun.
6. Check the water level by looking the exterior water level indicator, if necessary add water from the side of juice collector during cooking.
7. The switch off automatically, timer rings and the indicator light off.
8. You can reheat the food, carefully if there is any more water.
9. Remove the lid, place the basket(s) on the plate.
10. Unplug the appliance, let it cool completely before cleaning.

Cleaning and maintenance

1. Empty the water tank and clean it with a damp cloth.
2. All the other removable parts can be put in the dishwasher.
3. Descale the appliance every 8 times.
4. Position the turbo ring upside down around the heating element (the largest side on the upper). Fill the water tank with cold water up to "MAX" level, fill the inside of the turbo ring with white vinegar to the same level. Do not heat up (to avoid the descaling odour). Leave overnight to descale. Rinse out the inside of water tank with warm water several times.
5. Stack the baskets one to the other following No.1 into No.2, then together into No.3. Put the rice bowl into the

steamer basket No.1. At last place the baskets on the juice collector and put lid over them all.

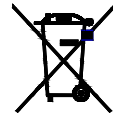
Specifications

- Power consumption: 800 W
- Nominal voltage: 220-230 V
- Rated frequency: 50 Hz
- Rated current: 3.6 A
- Rice bowl: 1 l capacity
- Capacity of 3 l for baskets
- Maximum capacity for water tank: 1,2 l
- Minimum capacity: 0,5 l

Set

- FOOD STEAMER.....1
- INSTRUCTION MANUAL WITH WARRANTY CARD.....1
- RICE BOWL.....1
- PACKAGE.....1

Environment friendly disposal:
You can help protect the environment!



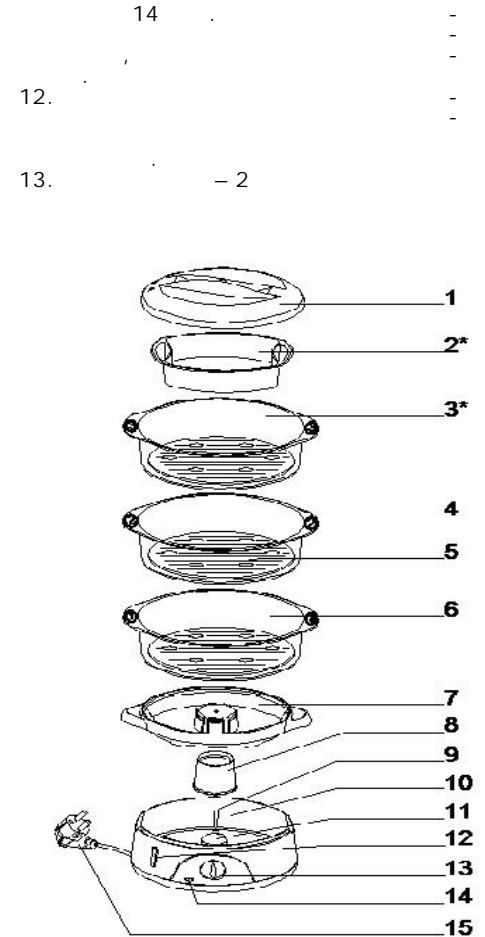
Please remember to respect the local regulations: hand in the non-working electrical equipments to an appropriate waste disposal centre. The manufacturer reserves the right to change the specification and design of goods.



- 1.
- 2.
- 3.
- 4.
- ()
- 5.
- 6.
- 7.
- 8.
- 9.
- 10.
- 11.

"Saturn".

1,5



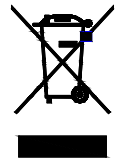
- 1.
2. (*) 1)
3. (*) 3)
4. (*) 2)
5. 1
- 6.
- 7.
- 8.
- 9.

10.)⁽¹
 11.
 12. 60
 13.
 14.
 15.

5. 1 2,
 3. 1

• : 800
 • : 220-230
 • : 50
 • : 3.6
 • : 1 : 3
 : 1,2
 : 0,5

.....1
1
1
1



UA

"Saturn".

1,5

1,5



1.

2.

3.

4.

5.

6.

7.

8.

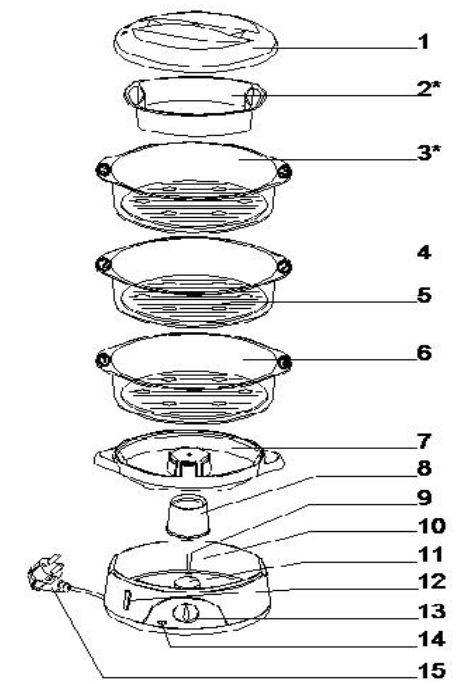
9.

10.

11.

12.

13.

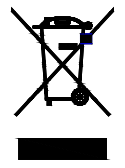


1.
 2. (*) 1)
 3. (*) 3
 4. (*) 2
 5.
 6. 1

7.)
8. - , ()
9. «MAX»), -
10. (1) ()
11.)
12. 60
13.
14.
15. 5. 1 2, -
3. 1

1. -
2. -
3.) (-
4. - : 1,2
: 0,5

5. (..... 1
) 1
..... 1
..... 1



7. - !
8. -
9. (-)
10. -

1. -
2. -
3. 8
4. (-

Saturn®

INTERNATIONAL MANUFACTURER'S WARRANTY

MEZINÁRODNÍ ZÁRUKA

INTERNATIONAL MANUFACTURER'S WARRANTY

The Warranty is provided for the period of 2 years or more if the Law on User Right of the country where the appliance was bought provides for a greater minimum warranty period.

All terms of warranty comply with to the Law on Protection of the Consumer Rights and are governed by the legislation of the country where the product was bought.

The warranty and free of charge repair are provided in any country where the product is delivered to by Saturn Home Appliances or authorized representative thereof, and where no restriction of import or other legal provisions interfere with rendering of warranty services and free of charge repair.

Cases uncovered by the warranty and free of charge repair:

1. Guarantee coupon is filled in improperly.
2. The product has become inoperable because of the Buyer's non-observance of the service regulations indicated in the instruction.
3. The product was used for professional, commercial or industrial purposes (except for the models, specially intended for this purpose that is indicated in the instruction).
4. The product has external mechanical damage or damage caused by penetration of the liquid inside, dust, insects and other foreign objects.
5. The product has damages caused by non-observance of the rules of power supply from batteries, mains or accumulators.
6. The product was exposed to opening, repair or modification of design by the persons, unauthorized to repair; independent cleaning of internal mechanisms etc. was made.
7. The product has natural wear of parts with limited service life, expendables etc.
8. The product has deposits of scale inside or outside of fire-bar elements, irrespective of used water quality.
9. The product has damages caused by effect of high (low) temperatures or fire on non-heat resistant parts of the product.
10. The product has damages of accessories and nozzles which are included into the complete set of product shipment (filters, grids, bags, flasks, cups, covers, knives, sealing rings, graters, disks, plates, tubes, hoses, brushes, and also power cords, headphone cords etc.).

On the warranty service and repair, please contact the authorized service centers of Saturn Home Appliances.

MEZINÁRODNÍ ZÁRUKA

Záruka se poskytuje na dobu 2 roky. V případě že Zákon na ochranu spotřebitele dané zemí nařizuje delší dobu, prodlužuje se záruka na tuto dobu.

Veškeré záruční podmínky odpovídají Zákonu o ochraně práv uživatelů a jsou řízené zákonodárstvím státu, kde byl výrobek koupen.

Záruka a bezplatná oprava se poskytují v každém státě, kam jsou výrobky dodané společností „Saturn Home Appliances“ nebo jejím zplnomocněným zastupcem a kde nejsou žádná omezení na dovoz nebo jiné právní předpisy omezující poskytnutí záručního servisu a bezplatné opravy.

Případy, na které se záruka a bezplatná oprava nevztahují

1. Záruční list je vyplněn nesprávně.
2. Výrobek byl poškozen kvůli tomu, že zákazník nesplnil pravidla použití, která jsou uvedena v návodu.
3. Výrobek byl používán k profesionálním, komerčním nebo průmyslovým účelům (kromě modelů speciálně určených pro tyto účely, což je uvedeno v návodu).
4. Výrobek má vnější mechanická poškození nebo poškození, vyvolaná tím, že se dovnitř dostala tekutina, prach, hmyz a jiné cizí předměty.
5. Výrobek má poškození, která jsou vyvolaná nesplněním pravidel napájení od baterií, sítě nebo akumulátorů.
6. Výrobek rozebírali, opravovali nebo modifikovali lidé, kteří nebyli zplnomocněni k opravě, bylo provedeno samostatné čištění vnitřních mechanismů a pod.
7. Výrobek má prodlouženou dobu používání dílů s omezenou dobou použití, spotřebních materiálů atd.
8. Výrobek má vrstvu usazeniny uvnitř nebo zvenku termoelektrických ohřevů, bez ohledu na kvalitu používané vody.
9. Výrobek má poškození, která jsou vyvolána působením vysokých (nízkých) teplot nebo ohněm na termonestabilní části výrobku.
10. Výrobek má poškození příslušenství a nástavce, které jsou dodány spolu s výrobkem (filtry, sítky, sádky, báňky, mísy, víka, nože, šlehače, struhadla, kotouče, talíře, trubky, hadice, kartáče a také síťové šňůry, sluchátkové šňůry atd.).

V otázkách záručního servisu a oprav se obraťte na autorizovanou servisní středisko společnosti „Saturn Home Appliances“.

- 1.
- 2.
- 3.
- 4.
- 5.
- 6.
- 7.
- 8.
- 9.
- 10.

« Saturn Home Appliances» .

					LCD		
.4	" "	8-988-993-37-78	+		+	+	+
18		8(8553) 32-22-11 8-960-047-22-11	+	+	+	+	+
98	« - »	8(86133) 6-09-84, 8-918-215-57-75	+	+	+	+	+
.108	" "	8(3955) 67-00-44 , 8(3955) 56-61-77	+	+	+		+

, 109	-	8(86152)2-81-99	+	+	+	+	+
.1, .1, 12	« -29»	8(8182) 44-15-55	+				
, .47	« »	8(8512)25-19-39 8(8512) 25-12-00	+	+	+		
16,2 .7	« - »	8(8512) 54-67-67, 8(8512) 54-91-91			+		+
.15	« - »	8(85141) 3-61-25	+	+	+	+	+
32		8-927-552-47-21, 8-937-122-13-99				+	+
.113	« »	8(3852) 63-94-02	+		+	+	+
.25	. .	8-905-425-60-4-73	+	+	+		
, .37	-	8(8635) 47-47-72, 8(8635) 47-47-72	+	+	+	+	+
, .63	« - »	8(86155)3-11-00, 8-918-980-64-75	+	+	+	+	+
.84	. .	8(86559) 2-08-02, 8(86559)5-29-71	+	+	+	+	+
, .58	« »	8(8442) 23-41-36, 8(937) 717-93-34	+		+		
, .173	« - »	8(8442) 97-50-10, 8-960-883-59-00		+			

14		8(8442) 98-16-47, 8(8442) 53-06-04	+	+	+	+	+
	«	8-961-688-53-48		+			
9		8-927-521-52-00		+		+	+
32		8-937-722-68-12				+	+
158		8-937-730-66-03		+		+	+
		8-904-404-14-55				+	+
12/15	«Master»	8-928-126-63-66	+			+	
77-65	«	8(937) 717-93-36	+			+	
65	«	8(8172) 70-03-45, 8(8172) 54-21-54	+			+	+
1	«	8(8172) 52-72-51	+			+	
46	" "	8(473) 260-09-08, 8(473) 240-57-73	+			+	+
140/1	-	8(87951) 6-47-93, 8-928-654-28-01		+			

48	«	8-962-655-20-00	+	+	+	+	+
68	«	8(8313) 21-14-14	+			+	
54	«	8(8313) 20-93-00, 8(8313) 20-92-94				+	
63	" - "	8(84235) 2-86-59, 8(84235) 9-14-64	+			+	+
84	« - »	8(86132) 2-11-71, 8(86132) 3-66-02	+	+	+	+	+
64	" - "	8(343)240-26-60	+			+	
16	/ " - "	8(343) 201-51-41, 8(343)347-76-83	+	+	+	+	+
47	«	8(47467) 4-12-08, 8(47467) 4-33-17	+			+	
45/6	« - »	8(4932) 335185, 8(4932) 335236	+	+	+	+	+
4	« - »	8(3412) 3079-79, 8(3412)30-83-07	+			+	+
76	« - »	8(3412) 78-76-85, 8(3412) 78-06-64	+			+	+
7/1, 301, 307	« - »	8(3412) 44-60-40, 8(3412) 44-				+	

		60-67					
7 (« »)	« 26» -	8(86545) 2-74-74		+			
, 24	« - »	8(8362) 24-11-24, 8(8362) 25-55-40	+	+	+	+	
, .20	« »	8(39520) 65-04-95, 8(39520) 93-16-56	+		+	+	
.24	" "	8(3952) 42-55-76, 8(3952) 78-15-83	+		+		
, .38	« »	8(843) 248-71-17, 8(843) 258-85-65	+		+		
, .25,	« - »	8 (4842) 54-82-22, 8 (4842) 54-83-33	+	+	+	+	+
.47		8(3439) 39-95-20, 8(3439)34-74-40	+	+	+	+	+
33		8(3842) 35-39-67	+			+	
.42	« - »	8(8332) 56-25-95, 8(8332) 54-70-77	+		+	+	
, .9		8-988-548-24-36	+	+	+		
5	« - »	8(4942) 300107, 8(4942) 300107	+		+	+	+

, .2,	-	8(86142)4-43-59	+	+	+	+	+
, .3	-	8(861) 267-50-88	+	+	+	+	+
103, .55	« - »	8(861) 222-64-13, 8(861) 222-85-55, 8-905-408-08-38	+	+	+	+	+
.42/2		8-918-041-31-04, 8(86131) 71-2-72			+		+
, .116		8(86164) 7-01-22			+		
, .57	" "	8(86145) 3-78-74	+	+	+	+	+
, .25	« - »	8(86164) 65-4-95, 8-918-355-81-70	+	+		+	+
, .1		8(86153) 4-16-70			+		
168	" "	8(86151) 4-33-54, 8-918-464-00-86	+	+		+	+
1	« - »	8(3912) 93-54-33, 8(3912) 94-52-82	+	+	+	+	+
36- , .37-	« +»	8 (4712) 50-85-90, 8 (4712) 35-04-91	+	+	+	+	

№ 2	« - »	8 (86169) 7-39-99, 8(86169) 7-24-96	+	+	+	+	+
№ 66	" "	8(4742) 33-45-65, 8(4742) 33-45-95	+	+	+	+	+
№ 29	« - »	8 (8772) 52-36-90	+	+	+	+	
№ 25	« - »	8 (8772) 55-62-38		+			+
№ 20	« - »	8(8722) 93-30-73	+	+	+	+	+
№ 11	« »	8(86385) 2-33-26 8-960-458-07-11	+	+		+	+
№ 16, 9	« - »	8 (499) 340-29-89, 8 (499) 733-25-00		+			
№ 1534	« - »	8(499) 717-82-07, 8(499) 717-82-12	+		+	+	+
№ 3 ()	« »	8(495) 721-30-70, 8(499) 168-05-19, 8(499) 168-47-15	+		+	+	+
№ 20 (30/05)	« »	8(8552) 359002, 8(8522) 359042	+	+	+		
№ 24	" - "	8(8662) 42-04-30 8(8662) 42-12-21	+		+	+	
№ 55	« - »	8(86554) 5-59-77, 8(86554) 3-67-57	+	+	+	+	+

№ 9 ()	« »	8(8555) 48-08-80, 8-917-906-60-06	+			+	+	+
№ 21	« - »	8(831) 229-63-66, 8(831) 229-60-87	+			+	+	
№ 18	« - »	8(831) 46-18-848		+				+
№ 6	« - »	8(831) 46-18-848		+				+
№ 18	« - »	8 (3843) 20-31-33	+			+	+	+
№ 14	« - »	8(8617) 63-11-15, 8(8617) 63-03-95	+	+		+	+	+
№ 17	" - "	8(383)274-99-33, 8(383) 274-99-45	+			+		
№ 24		8(86369) 3-74-75, 8-928-609-35-85	+	+		+		
№ 4		8 (3532) 36-87-94	+				+	+
№ 16	« - »	8(3532) 77-67-64, 8(3532) 78-15-82	+	+		+	+	+
№ 130	" - "	8(3812)36-42-02	+			+	+	+
№ 2	« - +»	8(3537) 33-84-43, 8(3537) 35-13-18	+	+		+	+	+
№ 2	« »	8(8412) 26-09-60, 8(8412) 26-12-29	+			+	+	+

№ 3,	« - »	8 (342) 221-40-99	+	+	+	+	+
№ 11	« - »	8(8142) 78-06-93, 8(8142) 70-65-48	+		+		
№ 11	« - »	8 (8112)-53-86-30, 8 (8112)-53-86-50	+		+		
№ 12		8(793) 31-84-16	+	+	+	+	+
№ 13	" "	8(8793) 98-70-11	+	+	+	+	+
№ 148	-	8(47396) 48-911	+	+	+	+	+
№ 37	« - »	8(863) 250-47-77	+		+		
№ 50-1/52, 55	« »	8 (863) 21-92-112, 8-800-100-51-52	+	+	+	+	+
№ 11 /17		8-906-453-35-81	+		+		
№ 12	« - »	8(4855) 22-04-77, 8(4855) 25-38-60	+	+	+	+	+
№ 14	" "	8(86370) 2-19-50	+	+	+	+	+
№ 12	" - "	8(4855) 22-04-77, 8(4855) 25-38-60	+	+	+	+	+

№ 21	« - »	8(4855) 24-31-21	+	+	+	+	+
№ 14, 1	« - »	8(4912) 76-88-01, 8(4912) 40-30-30	+	+	+	+	+
№ 42" "	« - »	8(4912) 41-33-02,	+	+	+	+	+
№ 52, 8, 9		8(846) 931-85-46	+	+	+	+	+
№ 63	" "	8(846) 379-54-54	+	+	+	+	+
№ 197	« - XXI»	8(812) 600-11-97	+	+	+	+	
№ 41,	« - »	8(812) 325-36-56, 8(812) 325-36-57	+		+	+	
№ 11, 36	« -95»	8(812) 822-18-00, 8(812) 320-06-61	+				
№ 1	« - »	8(8342) 23-05-91, 8(8342) 47-48-59	+	+	+		
№ 3-	« - - »	8(8452) 35-11-80, 8(8452) 55-43-63	+	+	+	+	+
№ 167/1		8-951-522-38-11	+	+	+	+	+
№ 253	« - »	8(496) 547-04-95, 8(496) 549-32-79	+	+		+	+
№ 90	« »	8 (8622)55-51-19, 8 (8622) 55-	+			+	+

		01-08					
.50 , .8/1	« »	8(8652) 74-01-91	+	+	+		
63	« »	8(8652) 24-30-14, 8(8652) 23-31-81	+	+	+	+	+
15 , .21	« »	8(8652)95-53-68, (8652)95-61-90			+		
.. - .1	« »	8 (4725) 24-62-27, 8 (4725) 24-73-49	+	+	+		
.158	« »	8(3473) 20-12-13, 8(3473) 20-27-70	+		+	+	+
.25	« »	8(8212) 22-95-29, 8(8212) 29-12-20	+	+	+	+	+
137	« -2000»	8(4752) 56-19-42, 8(4752) 56-19-44	+	+	+	+	+
88/15	-	8-910-834-80-35, 8-952-065-89-10	+		+		
.24/2	-	8(86130) 4-86-59, 8-918-147-02-03	+	+		+	+
.2/2	" "	8(86196) 7-20-53	+	+	+	+	+
.48	« +»	8(8482) 22-72-41, 8(8482) 22-71-85, 8(8482) 61-65-64	+	+	+	+	+

.58	« -2»	8(3822) 56-23-35, 8(3822) 48-08-80	+		+		
.137	« »	8(4872) 31-12-57	+	+	+	+	+
.55	" "	8(3452) 47-35-69	+		+	+	+
.28	« »	8(3012) 21-89-63	+		+	+	+
.18, 18,2	« »	8(8422) 31-00-00	+	+	+	+	+
.16/7	« »	8(8422)73-44-22, 8(8422) 73-29-19	+	+		+	+
.378	« »	8(87875) 7-44-82	+	+	+		
.148	« »	8(3472) 77-12-62	+		+		
.153, .42, .7	« »	8(347) 279-90-70, 8(347) 241-62-02					+
.15	" "	8(86391) 2-18-06	+		+		
36	« »	8(8352) 62-30-97, 8(4942) 63-20-98	+		+		
.102 (-	8(351) 772-72-05, 8(351) 772-73-66, 8(351) 772-69-01	+	+	+	+	+
.8 (-	8(351) 239-39-34, 8(351) 239-39-35	+	+	+	+	+

18	«	8(8202) 54-31-88	+		+	+	+
340"	»	8(8782) 27-30-60, 8(8782) 27-70-77	+	+	+	+	+
48,	"	8(8782)25-04-66, 8(8782)25-19-15	+	+	+	+	+
11		8-904-345-83-18	+	+	+	+	+
3-	«	8 (84722) 9-52-07, 8-937-469-52-07	+	+	+	+	+
21	»						
57	«	8(8453) 55-80-89, 8-964-848-45-06	+		+	+	+
12	»	8 (4852) 25-94-83	+		+		

UA

- 1.
- 2.
- 3.
- 4.
- 5.
- 6.
- 7.
- 8.
- 9.
- 10.

« Saturn Home Appliances» .

№	Наименование	Телефон	Характеристики		
			А	Б	В
1	Hi-Fi	(064) 424-89-50	+	+	+
2		(065)632 21 83, 050-904-57-17	+	+	+
3		062744-60-38(39)	+	+	+
4		(04563) 633-19	-	+	-
5		(045) 63-68-413	+	+	+
6		(041) 43-406-36	+	+	-
7	" "	(0314 1) 43-432	+	+	+

8	,3, .8	-	(044) 332-01-67	+	+	+
9	- ,42	-	(0432) 46-50-01	+	+	-
10	,61		(0432) 61-95-73	+	+	+
11	- ,16	-	(0432) 464393; (0432) 468213	+	+	+
12	,3		(0432) 64-24-57, (0432) 64-26-22	+	+	+
13	,1		(0432) 509-191, 579-191	+	+	+
14	,68, 1 , .420		(0562) 337-574	+	+	+
15	17 .130	-	(056) 778-63-25 (28)	+	+	+
16	,59		(0562) 35-04-09	+	+	+
17	,118		(0562) 67-60-44	+	+	+
18	,41		(056) 790-04-60	+	+	+
19	,9		(068) 851-33-33	+	+	+
20	188		(062) 3450607 0953204451	+	+	+
21	,129	-	(062) 349-26-81	+	+	+
22	, . ,1	-	(062) 3027569 (066)5082652	+	+	+
23	,8	" "	(0412) 471-568	+	+	-
24	,4 .222		(067) 410 2198	+	+	+
25	, ,	C	(0412) 47-07-42, 42-11-53	+	+	-

	24					
26	,50	-	(061) 220-97-65 (64)	+	+	+
27	,175		(061) 701-65-96	+	+	+
28	,83	-	(061)212-03-03	+	+	+
29	,75		066-085-75-39	+	+	+
30	19		(0342)559-525, 750-777	+	+	+
31	14		(0342) 754737	+	+	-
32	,9	-	096-729-4038, 067-484-9888	+	+	+
33	,76		(04597) 57393	+	+	-
34	,161	-	(04736) 629-49	+	+	+
35	1	-	(044) 591-11-90	+	+	+
36	,1	" "	(044) 4269198	+	+	-
37	,9 .57	-	(044) 369-5001 (063) 486-6999	+	+	+
38	,10		(06272) 2-62-23, (050) 279-68-16	+	+	+
39	,1	" "	(0522) 301-456	+	+	+
40	,2		(0522) 35-79-23	+	+	+
41	,98	-	(0522) 270-345, 349-585	+	+	+
42	,13	-	(097) 264-21-67, 776-67-70	+	+	+

43	. ' 3, .5	" "	(04142) 5-05-04	+	+	+
44	. ' ,15-106	. .	(06264) 5-93-89	+	+	+
45	. ' ,7		(050) 526-06-68	+	+	+
46	. ' ,44, .1		(05366) 39-192	+	+	-
47	- ' ,42		(056) 401-33-56, 404-00-80, 474-61-03	+	+	+
48	. ' ,9		(056) 4092302 03	+	+	+
49	. ' ,64/7		(0564) 40-07-79	+	+	+
50	. ' ,73	" "	(056) 440-07-64	+	+	+
51	. ' ,81		(050) 214-91-73; (066) 017-02-03	+	+	+
52	. ' ,49	-	(0642) 505-783	+	+	+
53	. ' ,50		(0642)50-57-83	+	+	+
54	. ' ,96		(0642) 494-217, 33-11-86	+	+	+
55	. ' ,1	-	(0332)290752	+	+	+
56	. ' ,15		(032) 244-53-44	+	+	+
57	. ' 35	" "	(032) 2973631	+	+	+
58	. ' ,2		(032) 247-14-99	+	+	+
59	. ' ,116	" "	(032) 245-80-52	+	+	-
60	. ' ,28		(032) 239-51-52 (032) 239-55-77,295-50-28,	+	+	+

			295-50-29			
61	. ' ,9	" "	032-267-63-26	+	+	-
62	. ' ,242		(062)322-55-50	+	+	+
63	. ' ,2	-	04337-64847;0432-468213	+	+	+
64	. ' ,24/1		(099) 262-11-18	+	+	+
65	. ' ,46		(03131)37-337, 37-336	+	+	-
66	. ' ,50 ,32/18		(0629) 41-06-50	+	+	+
67	. ' ,227	" "	(0629) 473-000	+	+	+
68	. ' ,33	" "	(0512) 580-555	+	+	+
69	. ' ,49	" "	0512-58-21-80	+	+	+
70	. ' ,2		(0512) 58-06-47	+	+	+
71	. ' ,62	-	(05662) 22-488, (097) 402-71-95	+	+	-
72	. ' ,97, .2	" "	(05662) 4-15-03	+	+	-
73	. ' ,38	. .	(055) 497-26-17	+	+	-
74	. ' ,38	" "	(041)4152010	+	+	-
75	. ' ,66 (. 2)		048-7317704; 7317703;	+	+	+

76	' 90		(048) 700 17 37	+	+	+
77	' ,55	" "	(048) 715-10-25, (0482) 39-06-18	+	+	+
78	' ,67	" "	8(05632) 6-15-54, (05632) 6-23-42	+	+	-
79	' 26		050-013-72-17, 0532-509889	+	+	+
80	' 14		(0532) 69-42-62	+	+	+
81	' 21	-	(0532) 69-09-46 (093)562-81-25	+	+	+
82	' 66	-	(0532)615-621	+	+	+
83	' ,371	-	(04637)53-982 (093)753-38-28	+	+	+
84	' ,101/1		(046) 3738595	+	+	+
85	' , 12	-	(0362) 26-67-53,26-65-85	+	+	-
86	' , 26		(0692) 55-56-43, 45-36-99	+	+	+
87	' ,72	-	(0652)-69-07-78	+	+	+
88	' 17/1	" - "	(0652) 522-771	+	+	+
89	' ,32	-	(04733)-46-182	+	+	-
90	15 (' .)		(06444)40289	+	+	+
91	' 171 /10	-	(245) 53-136	+	+	+
92	' ,19		(0542) 705-296	+	+	-

93	' ,17	SLT- Service	(0542) 78-10-13	+	+	+
94	' ,2	" "	(0352) 26-30-13, 23-17-97	+	+	-
95	' 1/24	" "	(047) 44-46-614,(047) 44-46-134	+	+	+
96	' ,101		(0312) 661-297	+	+	+
97	' 12		(057) 717-13-39, 702-16-20	+	+	+
98	' ,3		(057) 734-97-24, 712-51-81	+	+	-
99	18 (' - 42)	" "	(096) 595-37-46	+	+	+
100	' 1		(03142) 42-258	+	+	+
101	' 5	-	(0552) 29-60-42	+	+	+
102	' ,28		(0552) 43-40-33	+	+	+
103	' ,35		(0552) 420-235	-	-	+
104	' ,18		(0382)78-37-55, 78-37-73	+	+	+
105	' ,10/1	-	(0382) 723-241, 723-240	+	+	+
106	' 63		097-549-20-36	+	+	+
107	' ,7, .301		0472-633-728	+	+	+
108	' ,71		(0472) 435-389	+	+	+
109	' 146, .102	" - "	(0472) 563-478, 500-354, (096) 505-63-63	+	+	+

110	, .77-		(0462) 601585	+	+	+
	, 1					
111	, .		(0462) 724872,724949	+	+	+
	, 6					
112	, .		(0372) 55-48- 69,90-13-11	+	+	+
	, 105 ()					
113	, .		(0372) 58-43-01	+	+	+
	, 265					
114	, .	" - "	(050) 373-73-71	+	+	+
	, 3					
115	, .	(-)	(050) 324-43-01	+	+	-
	, 5					

GB

WARRANTY COUPON

When purchasing the product,
please require its checking before you;

BE SURE

that the goods sold to you, are functional and complete
and that the warranty coupon is filled in correctly.

This warranty coupon confirms the absence of any defects in the product you purchased and provides for free of charge repair of the product failed through the fault of the manufacturer throughout the period of warranty service and free of charge repair.

Failing the presentation of this coupon, in case of its improper filling in, infringement of factory seals (if any), and also in cases indicated in the warranty obligations, the claims are not accepted, and no warranty service and free of charge repair is made! The warranty coupon is valid only in the original copy with the stamp of trading organization, signature of the seller, date of sale and signature of the buyer.

CZ

ZÁRUČNÍ LIST

Při koupi výrobku

žádejte o jeho vyzkoušení ve Vaší přítomnosti,

PŘESVĚDČTE SE,

že Vám prodaný výrobek je dobře fungující a kompletní

a že záruční list je vyplněn správně.

Tento záruční list potvrzuje, že na Vámi koupeném výrobku nejsou žádné vady a zajišťuje bezplatnou opravu nefungujícího přístroje z viny výrobce, během celé záruční doby.

Bez předložení tohoto listu, při jeho nesprávném vyplnění, porušení plomb výrobce (jsou-li na výrobku) a také v případech, které jsou uvedené v záručním listě, nároky se nepřijímají a záruční oprava se neprovádí!

Záruční list je platný jenom jako originál s razítkem obchodní organizace, podpisem prodávající, termínem prodeje a podpisem zákazníka.

RU

Saturn®

WARRANTY COUPON
ZÁRUČNÍ LIST

UA

SATURN HOME APPLIANCES s.r.o.
KONVOVA 141, 13083 PRAHA 3 –
ŽIŽKOV,
ČESKÁ REPUBLIKA,
TEL: + 4202/ 67 108 392

Model /



Production number/Výrobní číslo/
/



Date of sell/Termín prodeje/

/



Shop stamp/Razítko obchodu/

/



Seller's signature/Podpis prodávatele/

/



Buyer's Signature confirming the acquaintance and consent with conditions of free of charge maintenance service of the product, and absence of the complaints on appearance and color of the product.

Podpis zákazníka, potvrzující seznámení a souhlas s podmínkami bezplatného záručního servisu výrobku, a také neexistence nároků na vzhled a barvu výrobku.



Saturn®	Saturn®	Saturn®
Model / /	Model / /	Model / /
Production number / /	Production number / /	Production number / /
.....
Name of the Trade Company / /	Name of the Trade Company / /	Name of the Trade Company / /
.....
Stamp of the Trade Company / /	Stamp of the Trade Company / /	Stamp of the Trade Company / /
.....
Client Address/Phone # / /	Client Address/Phone # / /	Client Address/Phone # / /
.....
Date of Receiving / /	Date of Receiving / /	Date of Receiving / /
.....
Defect / /	Defect / /	Defect / /
.....
Signature, Stamp / /	Signature, Stamp / /	Signature, Stamp / /
.....
COUPON 1	COUPON 2	COUPON 3