

Saturn[®]

ST-HC8018

SHAVER



GB

RECHARGEABLE PROFESSIONAL
HAIR CLIPPER

Dear Buyer!

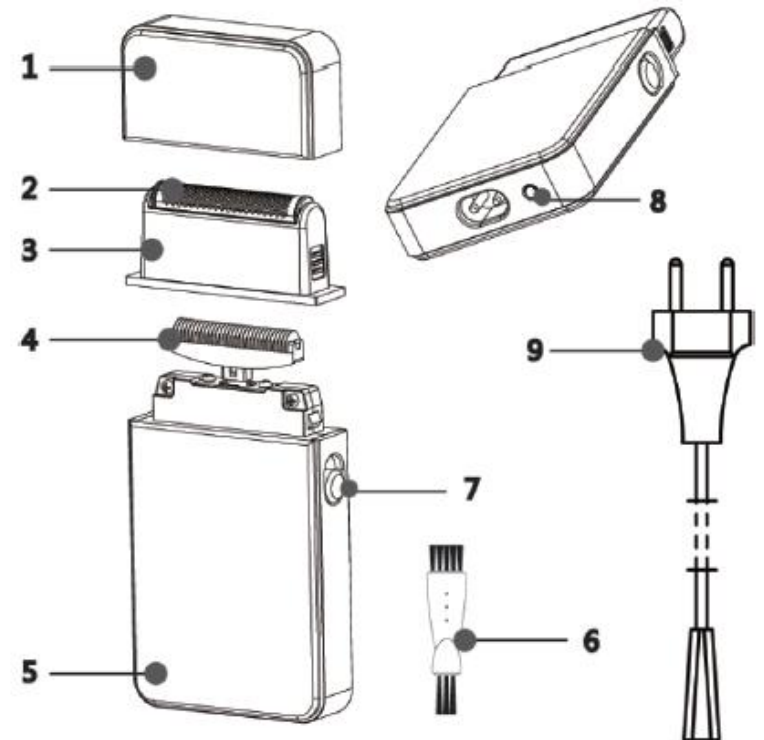
We congratulate you on having bought the device under trade name "Saturn". We are sure that our devices will become essential and reliable assistance in your housekeeping.

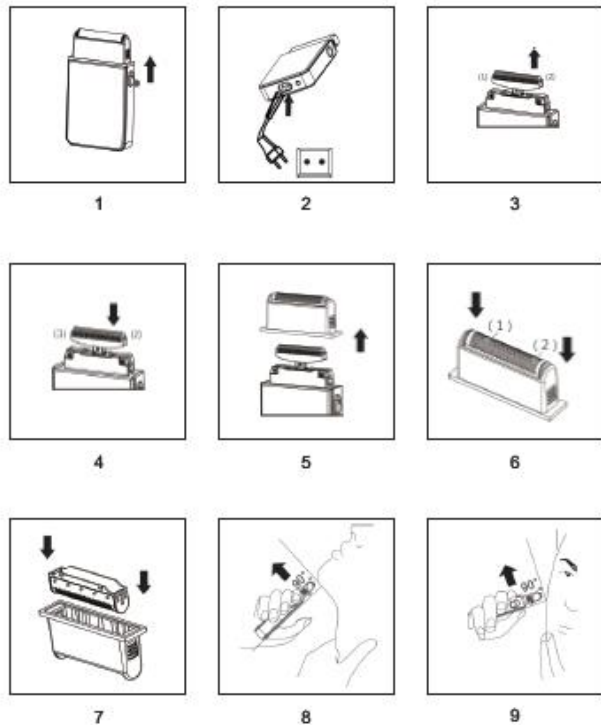
Avoid extreme temperature changes. Rapid temperature change (e.g. when the unit is moved from freezing temperature to a warm room) may cause condensation inside the unit and a malfunction when it is switched on. In this case leave the unit at

room temperature for at least 1.5 hours before switching it on. If the unit has been in transit, leave it indoors for at least 1.5 hours before starting operation.

Components:

1. Protective cap
2. Protective foil
3. Protective foil cover
4. Shaver's edge
5. Charge Indicator
6. Cleaning brush
7. On / Off Button
8. Charging input
9. Charging cord





Rules for safe use:

1. Do not press on protective foil.
2. Do not open the protective foil with a screwdriver
3. Do not charge the shaver in humid places, in places with high temperature and direct sunlight.
4. Before disposing of this product please dispose battery separately.

Charging of he shaver:

Insert the adapter for recharging. Turn it on to the main supply. The shaver should be turned off and charging indicator should light indicating that it is charging. First recharging lasts for 8 hours .

Before charging the battery, make sure that it was completely off. This will help extend the life of the shaver. Once the shaver was fully charged, the charge can be used for a period of

about 7 days.

Usage:

Remove the protective cap and press the switch up. Gently touch the shaver the skin and move it against the hair growth. Stretching the skin gives the best shaving effect. Once you have finished shaving, close the shaver with protective cap. Since the shaver has the function of "wet shaving ", you can use a shaving gel that gives a better effect. Time for recharge of the battery should not exceed 5 hours, the excess of charge may damage the battery or even mains supply.

Usage (Trimmer):

1. Slide opening button of the trim forward and slide the trimmer.

2. Gently and at a right angle touch your skin and shave slowly.
3. After use, turn out the shaver and close the protective cap

Maintenance of razor:

Razor should be cleaned after each use for best shaving effect. Click on the special release buttons on both sides of the shaver to release the cover of the shaving unit. Clean shaving foil, trimmer, shaver blades and the body of the shaver. This shaver can be rinsed with water. After cleaning, assemble the shaver and close the protective cap . Service life -3 years.

SPECIFICATION

Power:	3 W
Voltage:	220-240 V
Frequency:	50 Hz
Rated current:	0,01 A
Non-stop operation:	45 min
Recharging:	8 hours

SET

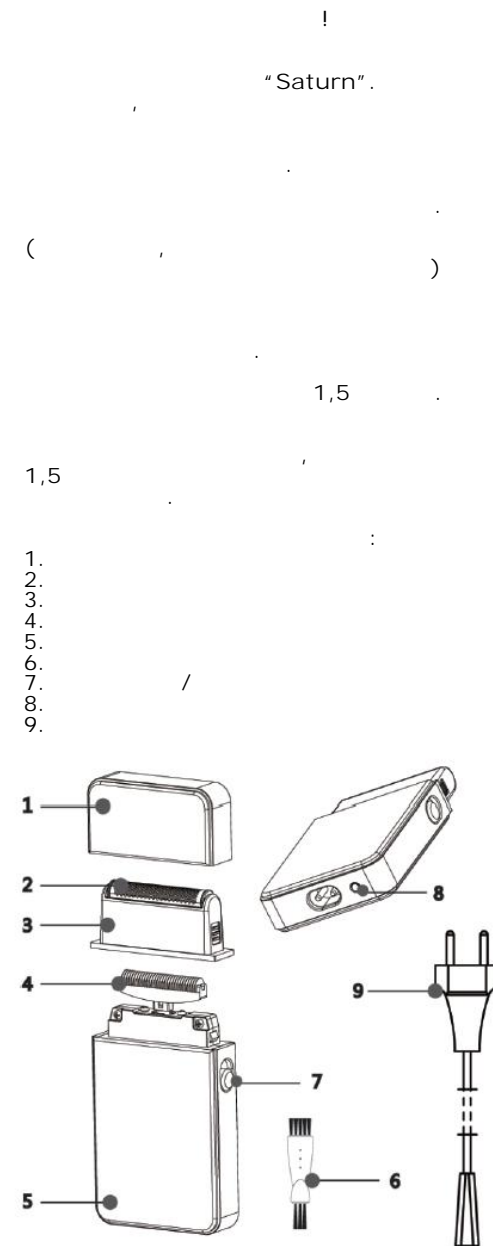
Shaver	1
Cleaning brush	1
User Manual	1
Warranty book	1
Packing	1

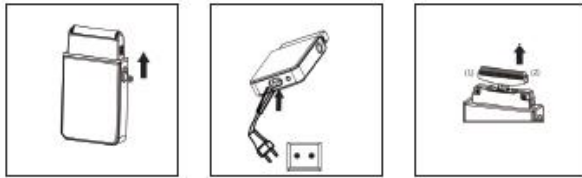
ENVIRONMENT FRIENDLY DISPOSAL

You can help protect the environment! Please remember to respect the local regulations: hand in the non-working electrical equipment to an appropriate waste disposal center.

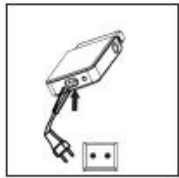
The manufacturer reserves the right to change the specification and design of goods.

RU





1



2



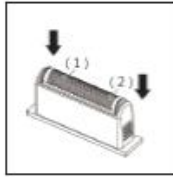
3



4



5



6



7



8



9

- 1.
- 2.
- 3.
- 4.

7

: 50

8
: 220-240

5-

6

7

1. ():
- 2.
- 3.



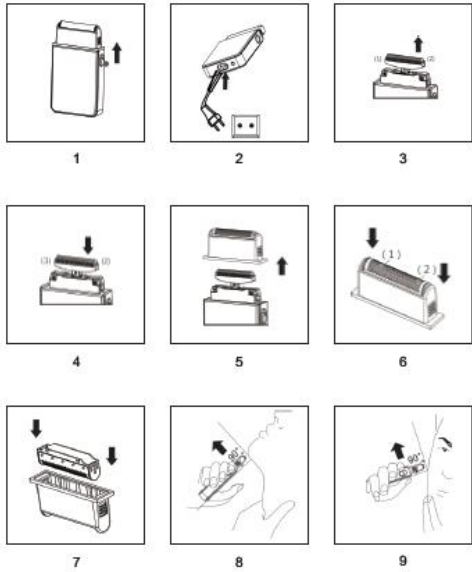
C -3

3
220-240
50
0,01
45
8

1
1
1
1



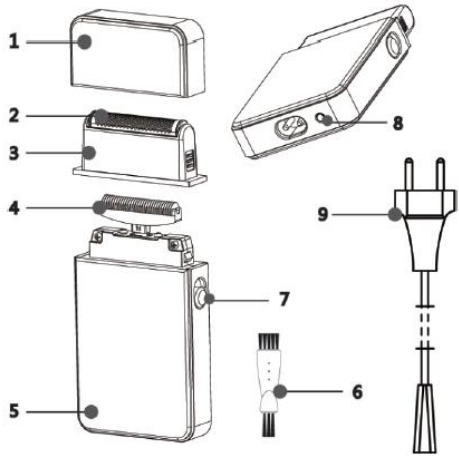
"Saturn".



1,5

1,5

- 1.
- 2.
- 3.
- 4.
- 5.
- 6.
- 7.
- 8.
- 9.



8

- 1.
- 2.
- 3.
- 4.

7

« »

5-

- 1.
- 2.
- 3.

():



9

-3

3
220-240
50
0,01
45
8

1
1
1
1
1

Saturn®

INTERNATIONAL MANUFACTURER'S WARRANTY

MEZINÁRODNÍ ZÁRUKA

GB

INTERNATIONAL MANUFACTURER'S WARRANTY

The Warranty is provided for the period of 2 years or more if the Law on User Right of the country where the appliance was bought provides for a greater minimum warranty period.

All terms of warranty comply with to the Law on Protection of the Consumer Rights and are governed by the legislation of the country where the product was bought.

The warranty and free of charge repair are provided in any country where the product is delivered to by Saturn Home Appliances or authorized representative thereof, and where no restriction of import or other legal provisions interfere with rendering of warranty services and free of charge repair.

Cases uncovered by the warranty and free of charge repair:

1. Guarantee coupon is filled in improperly.
2. The product has become inoperable because of the Buyer's nonobservance of the service regulations indicated in the instruction.
3. The product was used for professional, commercial or industrial purposes (except for the models, specially intended for this purpose that is indicated in the instruction).
4. The product has external mechanical damage or damage caused by penetration of the liquid inside, dust, insects and other foreign objects.
5. The product has damages caused by non-observance of the rules of power supply from batteries, mains or accumulators.
6. The product was exposed to opening, repair or modification of design by the persons, unauthorized to repair; independent cleaning of internal mechanisms etc. was made.
7. The product has natural wear of parts with limited service life, expendables etc.
8. The product has deposits of scale inside or outside of fire-bar elements, irrespective of used water quality.
9. The product has damages caused by effect of high (low) temperatures or fire on non-heat resistant parts of the product.
10. The product has damages of accessories and nozzles which are included into the complete set of product shipment (filters, grids, bags, flasks, cups, covers, knives, sealing rings, graters, disks, plates, tubes, hoses, brushes, and also power cords, headphone cords etc.).
11. A defect was a result of inappropriate installing of the appliance by non-specialists of the supplier's authorized service center.

On the warranty service and repair, please contact the authorized service centers of "Saturn Home Appliances".

MEZI NÁRODNÍ ZÁRUKA

Záruka se poskytuje na dobu 2 roky. V případě že Zákon na ochranu spotřebitele dané země stanoví delší dobu, prodlužuje se záruka na tuto dobu.

Veškeré záruční podmínky odpovídají Zákonu o ochraně práv uživatelů a jsou řízené zákonodárstvím státu, kde byl výrobek koupen. Záruka a bezplatná oprava se poskytují v každém státě, kam jsou výrobky dodané společností „Saturn Home Appliances“ nebo jejím zplnomocněným zástupcem a kde nejsou žádná omezení na dovoz nebo jiné právní předpisy omezující poskytnutí záručního servisu a bezplatné opravy.

Případy, na které se záruka a bezplatná oprava nevztahují

1. Záruční list je vyplněn nesprávně.
2. Výrobek byl poškozen kvůli tomu, že zákazník nespůsobil pravidla použití, která jsou uvedena v návodu.
3. Výrobek byl používán k profesionálním, komerčním nebo průmyslovým účelům (kromě modelů speciálně určených pro tyto účely, což je uvedeno v návodu).
4. Výrobek má vnější mechanická poškození nebo poškození, vyvolaná tím, že se dovnitř dostala tekutina, prach, hmyz a jiné cizí předměty.
5. Výrobek má poškození, která jsou vyvolána nesprávným napájením od baterií, sítí nebo akumulátorů.
6. Výrobek rozebírali, opravovali nebo měnili jeho konstrukci lidé, kteří nebyli zplnomocněni k opravě, bylo provedeno samostatné čištění vnitřních mechanismů a pod.
7. Výrobek má přirozené opotřebení dílů s omezenou dobou použití, spotřebních materiálů atd.
8. Výrobek má vrstvu usazeniny uvnitř nebo zvenku termoelektrických ohříváků, bez ohledu na kvalitu používané vody.
9. Výrobek má poškození, která jsou vyvolána působením vysokých (nízkých) teplot nebo ohněm na termonestabilní části výrobku.
10. Výrobek má poškození příslušenství a nástavců, které jsou dodané spolu s výrobkem (filtry, síky, sádky, bafly, mísy, víka, nože, šlehače, struhadla, kotouče, talíře, trubky, hadice, kartáče a také síťové šňůry, sluchátkové šňůry atd.).
11. Vada je důsledkem nesprávné instalace výrobku neoprávněnou osobou.

V otázkách záručního servisu a oprav se obraťte na autorizovanou servisní střediska společnosti „Saturn Home Appliances“.

«Saturn Home Appliances»

- 1.
- 2.
3. ()
- 4.
- 5.
- 6.
- 7.
- 8.
9. ()
10. ()
11. ()

«Saturn Home Appliances»

Website: <http://saturn.ua/ru/servis>,
Phone: 0-800 505-27-09

					LCD		
.4	" "	. . 8-988-993-37-78	+		+	+	+
.18		. 8(8553) 32-22-11, . . 8-960-047-22-11	+	+	+	+	+
109	-	. 8(86152)2-81-99	+	+	+	+	+
.1, 12	" -29"	. 8(8182) 44-15-55	+				
.47	« »	.8(8512)25-19-39, .8(8512) 25-12-00	+	+	+		
.54	" "	.8(8512)50-19-97	+		+		
16, 2 .77	" "	.8(8512)54-67-67, .8(8512)54-91-91		+		+	+
.15	" "	. 8(85141) 3-61-25	+	+	+	+	+
.8	" "	. .8-927-565-11-56	+	+	+	+	+
.32		. . 8-927-552-47-21, . . 8-937-122-13-99				+	+
.4 a	- "	.8 (39151) 5-90-94, . . 8-983-158-21-94	+			+	+
.113	" "	.8(3852) 63-94-02	+		+	+	+
.114	" "	.8(3852) 20-25-52, .8(3852) 69-60-09		+			+
.25	.9,	.8-905-425-60-4- 73	+	+	+		
.37		. 8(8635) 47-47-72, . 8(8635) 47-47-72	+	+	+	+	+

79 2	" - "	. .8-980-521-76-16	+				
.63	""	. 8(86155)3-11-00, . . 8-918-980-64-75	+	+	+	+	+
.36	" "	. 8(4832) 68-71-75	+	+	+	+	+
.3	" "	. 8(4832) 63-06-00, . 8(4832) 33-15-61		+			
.18	" "	. 8(3535) 23-23-98, . . 8-922-802-21-58	+	+	+	+	+
.84		. 8(86559) 2-08-02, . 8(86559)5-29-71	+	+	+	+	+
.1		. .8-928-92-00-497, . 8 (86559) 2-07-17					+
.136/4	-ise	. . 8-964-013-00-59	+	+	+	+	+
.39	" "	. 8(4922) 44-72-80, . 8(4922) 44-72-81	+	+	+	+	+
.173	« »	. 8(8442) 97-50-10, . 8-960-883-59-00		+			
.4		. 8(8442) 98-16-47, . 8(8442) 53-06-04	+	+	+	+	+
.11	" - "	. 8(8442) 37-16-74, . 8(8442) 37-69-03		+			
	" "	. . 8-961-688-53-48		+			
.9		. . 8-927-521-52-00		+		+	+
.32		. . 8-937-722-68-12				+	+

158		8-937-730-66-03		+		+	+
		8-904-404-14-55				+	+
12/15	"Master"	8-928-126-63-66	+		+		
110	"X"	8-961-41-001-71, 8-918-500-54-99	+	+	+	+	+
1	" "	8(8172) 52-72-51	+		+		
46	" "	8(473) 260-09-08, 8(473) 240-57-73	+		+	+	
12-15	" "	8-920-436-08-52, 8-960-131-17-99			+		
13	" "	8(38822) 6-23-32	+		+	+	+
48	" "	8-962-655-20-00	+	+	+	+	+
308		8-962-753-67-67	+				
17	« »	(8712) 22-49-21, 8-928-001-33-03	+	+	+	+	+
68	" "	8(8313) 21-14-14	+		+		
54	" "	8(8313) 20-56-00	+	+	+	+	
63	" "	8(84235) 2-86-59, 8(84235) 9-14-64	+		+	+	+
84	" "	8(86132) 2-11-71, 8(86132) 3-66-02	+	+	+	+	+
55	« »	8(86132)5-05-00	+	+		+	+

81, 3	" "	8(343) 361-11-77, 8(343) 361-11-78	+		+	+	+
64	" "	8(343)240-26-60	+		+		
7, 201	"GOLD"	8-919-372-28-04			+		+
31, 2	" "	(343)385-12-89	+	+	+	+	+
47	" "	8(47467) 4-12-08, 8(47467) 4-33-17	+		+		
22		8(86359) 4-32-23, 8(86359) 4-06-42			+		
45/6	" - "	8(4932) 335185, 8(4932) 335236	+	+	+	+	+
(« » 7 « »)	« 26»	8(86545) 2-74-74			+		
4	" - "	8(3412) 30-79-79, 8(3412) 30-83-07	+		+	+	+
76	" - "	8(3412) 78-76-85, 8(3412) 78-06-64	+		+	+	+
7/1, 307, 301,	" - "	8(3412) 44-60-40, 8(3412) 44-60-67			+		
24	" "	8(8362) 24-11-24, 8(8362) 25-55-40	+	+	+	+	
24	" "	8(3952) 42-55-76, 8(3952) 78-15-83	+		+	+	
56	" "	8(3952) 28-74-50, 8(3952) 76-71-75			+	+	+

183	« » -	.8(34551) 7-46-31						+
9	"VIP-SERVIS"	. 8(843) 258-92-15	+		+	+		
100, 45	" "	. 8(843) 240-64-94	+	+	+	+	+	
163	"1000 "	. 8(4012) 58-83-54, . 8(4012) 76-04-77	+		+			
33	-	. 8(3439) 39-95-20, . 8(34399)34-74-40	+	+	+	+	+	
6	" "	. 8(84457) 9-17-43, . 8(84457) 9-45-89	+	+	+	+	+	
157		. 8(8734) 44-42-44	+	+		+	+	
53/2	-	. 8(3842) 35-39-67	+			+		
17	" "	. 8(87239)2-33-55, . 8(87239)3-01-77	+	+	+	+	+	
42	" - "	. 8(8332) 56-25-95, . 8(8332) 54-70-77	+		+	+		
96		. 8(86393) 2-10-43		+				
9	-	. 8-988-548-24-36	+		+			
2,		. 8(86142)4-43-59	+	+	+	+	+	
1	" "	. 8-918-936-36-53		+		+	+	
3	-	. 8(861) 267-50-88	+	+	+	+	+	
55, 103,	" - - "	.8(861) 222-64-13, .8(861) 222-85-55, . 8-905-408-08-38	+	+	+	+	+	

16		. (861) 235-49-68	+	+	+	+	+	
1\1	" - "	. 8-918-102-00-10, . 8-961-501-92-22	+	+	+	+	+	
106	" "	. 8(86156) 3-40-40, . 8-918-990-35-04	+		+	+		
116		. 8(86164) 7-01-22		+				
57	" "	. 8(86145) 3-78-74		+				+
25	" "	. 8(86164) 65-4-95, . 8-918-355-81-70	+	+		+	+	
1		. 8(86153) 4-16-70		+				
242, 1		. 8(86 151) 4-10-92	+	+	+	+	+	
6	" "	. 8(3912) 92-92-22, . 8(3912) 41-78-88	+	+	+	+	+	
1	" "	. 8(3912) 93-54-33, . 8(3912) 94-52-82	+	+	+	+	+	
36- 37-	" +"	. 8 (4712) 50-85-90, . 8 (4712) 35-04-91	+	+	+	+		
5	" "	. 8 (4712) 51-45-75	+	+	+	+	+	
17	" "	. 8 (4712) 54-74-24	+	+	+	+	+	
2	" "	. 8 (86169) 7-39-99, . 8(86169) 7-24-96	+	+	+	+	+	
66	" "	. 8(4742) 33-45-65, . 8(4742) 33-45-95	+	+	+	+	+	

25	" "	. 8 (8772) 55-62-38		+				+
164	" "	. 8(8722) 93-30-73	+	+	+	+	+	
14-	-ise	. 8(8722) 63-23-94, . 8(8722) 93-55-15	+	+	+	+	+	
11	" "	. 8(86385) 2-33-26 . 8-960-458-07-11	+	+			+	+
9	"X "	. 8-909-401-35-21	+	+	+	+	+	
()	" "	. 8(495) 721-30-70, . 8(499) 168-05-19, . 8(499) 168-47-15	+		+	+	+	
(30/05)	" "	. 8(8552) 359002, . 8(8522) 359042	+	+	+	+	+	
154 (52/28)	"VIP-SERVIS"	. 8(8552) 99-91-45	+	+	+	+	+	
24	" "	. 8(8662) 42-04-30, . 8(8662) 42-12-21	+		+	+		
55	" "	. 8(86554) 5-59-77, . 8(86554) 3-67-57	+	+	+	+	+	
10	" "	. 8(34783) 3-43-44	+	+	+	+	+	
(")	" "	. 8(8555) 48-08-80, . 8-917-906-60-06	+		+	+	+	
51	" - "	. 8 (831) 220-84-94, . 8 (831) 413-82-91	+		+			
18	" "	. 8(831) 46-18-848		+				+
6	" "	. 8(831) 46-18-848		+				+
18	" "	. 8 (3843) 20-31-33	+		+	+	+	
21/27	" "	. 8 (48762) 6-46-46	+	+	+	+	+	

14	" "	. 8(8617) 63-11-15, . 8(8617) 63-03-95	+		+	+		
17	" - "	. 8(383)274-99-33, . 8(383) 274-99-45	+		+			
3, 63,	" "	. 8(383) 210-59-49, . 8(383) 210-52-92	+		+	+		
2	" "	8 (383) 351-39-19	+		+			
24		. 8(86369) 3-74-75, . 8-928-609-35-85	+	+	+			
4		. 8 (3532) 36-87-94	+				+	+
5-	" - "	. 8 (3812) 577-092, . 8 (3812) 576-329	+			+		
194	« » -	. 8(3812) 36-74-01						+
130	" "	. 8(3812)36-42-02	+	+	+	+		
25	" - +"	. 8(3537) 37-23-83	+	+	+	+	+	
11	" - "	. 8(3537) 35-79-93, . 8(3537) 20-60-70	+	+	+	+	+	
11	" - "	. 8(3537) 35-79-93, . 8-987-796-00-19	+	+	+	+	+	
3,	" - "	. 8 (342) 221-40-99	+	+	+	+	+	
19, 1	" "	. 8(342)240-88-88, . 8(342)205-57-88	+	+	+	+	+	
11	" "	. 8(342)240-93-35, . 8(342)240-93-24			+			
11	" - "	. 8(8142) 78-06-93, . 8(8142) 70-65-48	+		+			
39-5		. 8(3846) 69-33-00	+	+	+	+	+	
11	" "	. 8 (8112)-53-86-30, . 8 (8112)-53-86-50	+		+			+

.5- .13	" "	.8(8793) 98-70-11, .8-918-743-69-46	+	+	+	+	+
.50		.8(47396) 48-911	+	+	+	+	+
.1 .18		.8(47396) 47-676	+	+	+	+	+
.37	" "	.8(863) 250-47-77	+		+		
.7	" - "	.8(863) 227-60-90, .8(863) 299-00-50	+	+	+	+	+
.50- 1/52, 55	" "	.8(863) 21-92-112, .8-800-100-51-52	+	+	+	+	+
.11 /17		.8-906-453-35-81	+		+		
.14	" "	.8(86370) 2-19-50	+	+	+	+	+
.12	" "	.8(4855) 22-04-77, .8(4855) 25-38-60	+	+	+	+	+
.21	" "	.8(4855) 24-31-21	+	+	+	+	+
.1 .14,	« » -	.8(4912) 76-88-01, .8(4912) 40-30-30	+	+	+	+	+
.42	« » -	.8(4912) 41-33-02	+	+	+	+	+
.100 .56	" - "	.8(846) 990-37-51 .8(846) 240-98-17	+	+	+	+	+
.149	« » - -	.8(846) 979-9-979	+	+	+	+	+
- e .197	" XXI"	.8(812) 600-11-97	+	+	+	+	
- e .41,	" - "	.8(812) 325-36-56, .8(812) 325-36-57	+		+	+	

- e .11,36	" -95"	.8(812) 822-18-00, .8(812) 320-06-61	+				
.1	" - "	.8(8342) 23-05-91, .8(8342) 47-48-59	+	+	+		
.95	" " -	.8(8452) 52-81-21, .8(8452) 52-83-84	+	+	+	+	+
.253	" "	.8(496) 547-04-95, .8(496) 549-32-79	+	+		+	+
.47	" -S"	.8-963-624-49-46				+	+
.44	« »	.8(4812) 45-05-13, .8-920-333-09-44	+	+	+	+	+
.90	" "	.8(8622)55-51-19, .8(8622) 55-01-08	+			+	+
.63	" "	.8(8652) 24-30-14, .8(8652) 23-31-81	+	+	+	+	+
.21 .15	" "	.8(8652)95-53-68, .8(8652)95-61-90				+	
.3/4	" "	.8(8652) 44-88-66				+	
.1	" " -	.8(4725) 24-62-27, .8(4725) 24-73-49	+	+	+		
.158	" - "	.8(3473) 20-12-13, .8(3473) 20-27-70	+			+	+
.25	" "	.8(8212) 22-95-29, .8(8212) 29-12-20	+	+	+	+	+
.137	" -2000"	.8(4752) 56-19-42, .8(4752) 56-19-44	+	+	+	+	+
.18	" "	.8(4822) 47-65-65, .8(4822) 47-58-58	+	+	+	+	+
.24/2		.8(86130) 4-86-59, .8-918-147-02-03	+	+		+	+
.2/2	" - "	.8(86196) 7-20-53	+	+	+	+	+

48	" +"	. 8(8482) 22-72-41, . 8(8482) 22-71-85, . 8(8482) 61-65-64	+	+	+	+	+
115	" "	. 8-910-949-68-44, . 8-953-182-61-82	+	+	+	+	+
169/5	" "	. 8(3452)75-95-08, . 8(3452)20-82-65	+		+	+	
24	" "	. 8-9292-69-56-60, . 60-56-60-	+	+	+	+	+
55	" "	. 8(3452) 47-35-69	+		+	+	+
28	" "	. 8(3012) 21-89-63	+		+	+	+
16/7	« »	. 8(8422)73-44-22, . 8(8422) 73-29-19	+	+		+	+
6/1	" " -	.8(347) 236-57-07	+		+		
59	" - "	. (347) 2281701	+		+	+	+
153 7 42	" »	. 8(347) 279-90-70 . 8(347) 241-62-02					+
70	-ise	. 8-928-048-93-10	+	+	+	+	+
15	" "	. 8(86391) 2-18-06	+		+		
36	" "	. 8(8352) 62-30-97, . 8(4942) 63-20-98	+		+		
8		. 8(351) 239-39-34, . 8(351) 239-39-35	+	+	+	+	+
57 3	" "	.8(351) 225-13-13, .8(351) 236-12-40	+		+	+	+
340" "	" - "	. 8(8782) 27-30-60, . 8(8782) 27-70-77	+	+	+	+	+

48, 11	" " "	. 8(8782)25-04-66, . 8(8782)25-19-15	+	+	+	+	+
13	" " -	. 8(8782) 23-91-26, . 8-928-385-22-42	+	+	+	+	+
33	" " "	. 8 (3022) 36-39-36, . 8 (3022) 36-39-32	+	+	+	+	+
1		. 8-904-345-83-18	+	+	+	+	+
3- 21	" " "	. 8 (84722) 9-52-07, . 8-937-469-52-07	+	+	+	+	+
57	" - "	. 8(8453) 55-80-89, . 8-964-848-45-06	+		+	+	+
12	" - "	. 8 (4852) 25-94-83	+		+		

«Saturn Home Appliances»

- 1.
- 2.
- 3.
- 4.
- 5.
- 6.
- 7.
- 8.
- 9.
- 10.
- 11.

« Saturn Home Appliances» .

: <http://saturn.ua>,
 :
 0-800 502-502

			()	()	()	()	()	()	()	()
, 36	(06442)-91137, (099) 0521001	Hi-Fi ()	+	+	+	+	+	+	-	+								
, 42	(06274)-49128, (06274)-49129		+	+	+	+	+	+	-	+								
. 50- , 82	(04563)-68413	-	+	+	+	+	+	+	-	+								
28	(0456)-333295, (0456)-309400, (094)-9299400	-	-	+	+	+	+	+	-	-								
, 57	(04143)-40636	" "	+	+	+	-	+	+	+									
, 43	(03141)-43432	" "	+	+	+	+	+	-	-	-								
.50 , 51	(0432)-699573		+	+	+	+	+	+	+	+								
, 3	(0432)-642457, (0432)-642622		-	+	+	-	-	-	-	-								
, 1	(0432)-509191, (0432)-579191, (066)-35091-91 (096)-0509191		+	+	+	+	+	+	-	+								
. , 16	(0432)-464393, (0432)-468213, (0432)-519254	" " -	+	+	+	+	+	+	+	+								
, 43	. 067-7899525		+	+	+	-	-	-	-	-								
, 62-	(05653)-52771		+	+	+	+	+	+	+	+								
, 59	(0562)-350409, (0562)-346705		+	+	+	+	+	+	-	+								
, 6	(056)-7356328, (056)-7356325	-	+	+	+	+	+	+	-	+								
, 46-	(056)-78540-02, (067)-50719-64	-	-	+	+	+	+	+	+	+								
, 41-	(056)-7900460		+	+	+	+	+	+	-	+								
, 129-	(066)-2493639	-	+	+	+	-	-	-	-	+								
, 1	. 066-5082652, . 096-7232447	-	+	+	+	+	+	+	+	+								
. , 188	(062)-3450607	-	+	+	+	+	+	+	-	+								
24	(0412)-470742	C ()	-	-	+	+	+	+	-	-								

8	(0412)-471568, .067-4115812	()	+	+	+	-	-	-	+
175	(061)-78750-51, (0612)-639790		+	+	+	+	+	+	+
83	(0612)-120303	-	+	+	+	+	-	-	+
50	(061)-2209764, (061)-2209765		+	+	+	+	+	-	+
223	(0342)-756040, (0342)-712813		+	+	+	+	+	-	-
19-	(0342)-559525, (0342)-750777		+	+	+	+	-	-	-
2	.067-3248218	" "	+	+	+	+	+	+	+
76	(04597)-57393	" "	+	+	+	-	-	-	-
161	(067)-3248401, (067)-3248365, (04736)-62949	« - »	+	+	+	+	+	+	+
16	(044)-4269198, (044)-3629198	" "	+	+	-	-	-	-	+
55	(044)-36414-63, (044)-4086660, (044)-4972936, (044)-4973455, (044)-4973619, (044)-4086658	-	-	+	+	+	+	+	-
1-	(044)-5911190	" "	+	+	+	+	+	+	+
2	(0522)-357923, (0522)-278002, (0522)-273300		+	+	+	+	+	-	+
1-	(0522)-272840, (0522)-277667	()	+	+	+	+	+	+	+
13	.097-7766770, .097-2642167		+	+	+	+	+	+	+
10	(06272)-26223, (06272)-22186, .050-27968-16	()	+	+	+	-	-	-	-
2-	(04142)-50504	" "	-	+	+	+	+	+	+
7	.050-5260668	-	+	+	+	+	+	+	+
3	(06264)-59389		+	+	+	+	-	+	-
8 20	.050-97320-14	-	+	+	+	+	+	-	+
5-	(0626)-412134, .067-2557990		+	+	+	+	+	+	+

2	.44, (05366)-39192		+	+	+	+	+	+	+
42	(056)-40133-56, (056)-40400-80, (056)-4746103	" "	+	+	+	-	+	+	-
73	(056)-4400764	" "	+	+	+	+	+	-	+
64/7	(056)-4400779		+	+	+	+	+	-	+
9	(056)-4092302, (056)-4092303	()	+	+	+	+	+	+	+
81	050-2149173, .066-017-02-03		+	+	+	+	+	+	+
96-	(0642)-330242, (0642)-331186, .095-3868985	" "	+	+	+	+	+	+	+
49-	(0642)-505783, .095-3624248		+	+	+	+	+	+	+
61	.066-0640564, .050-5809230	-	-	-	-	+	-	-	-
1	(06434)-26025, .099-2710147	-	+	+	+	+	+	+	+
1	(0332)-290752	" "	+	+	+	-	-	-	+
15-	(0332)779955, .0970482596	-	+	+	+	+	+	+	+
15-	(032)-24453-40, (032)-2445344		+	+	+	+	+	+	+
2	(032)-2471499		+	+	+	-	-	+	+
28	(032)-2395152, (032)-2395577, (032)-2955028, (032)-2955029	" "	+	+	+	+	+	+	+
116	(032)-2458052	" "	+	+	+	-	-	+	+
242	(0623)-225550, .066-1032288, .097-7768120		+	+	+	-	-	-	-
50- 32\18	(0629)-496005, (0629)-493006		+	+	+	+	+	-	+
227	(0629)-473000, .098-3122628, .095-0282628	" " ()	+	+	+	+	+	-	+
84	(0629)-491881, .067-5975615		+	+	+	+	+	-	+

	, 42	(0619)-444400	(-)	-	+	+	+	+	+	+	+
51-		(04337)-64847, (0432)-468213	-	+	+	+	+	+	+	+	+
	, 46	(03131)-37337, (03131)-37336, . 099-7974430, . 097-3423551		+	+	+	-	+	+	-	
	, 33	(0512)-470496, (0512)-478348	" "	+	+	+	+	+	+	+	
	, 2	(0512)-580647		+	+	+	+	+	+	-	
	, 49	(0512)-582180, . 067-5170570, . 066-7056444	" "	-	+	+	+	+	+	-	
2	97,	(05662)-41503, . 099-0743553	(-)	+	+	+	+	+	+	+	
	, 189	(0566)-688563, . 0505800296		+	+	+	+	+	+	+	
	, 25	(0566)-687014		-	+	+	+	+	+	+	
	, 38	. 095-7247266		+	+	+	+	+	+	-	
	, 38	(04141)-52010	" "	+	+	+	+	+	-	+	
	, 90	(048)-7001737 (048)-7874579		+	+	+	+	+	+	+	
	, 55	(0482)-390618, . 094-8390619		+	+	+	+	+	-	+	
	, 27	(048)-7229779 (048)-7712538, (048)-7227066	-	+	+	+	+	+	+	+	
2 (66)		(048)-7317703, (048)-7317704		+	+	+	-	-	-	+	
172-		(05632)-61554, (05632)-62342		+	+	+	+	+	-	+	
75		. 096-2840836, . 066-0857539	-	+	+	+	+	+	+	+	
	, 29	(0532)-694262, . 099-601424		+	+	+	+	+	+	+	
	, 120	(0532)-509889, . 050-0137217		+	+	+	+	+	-	+	
	, 66	(0532)-615621	-	+	+	+	+	+	+	+	
	, 64	. 099-4243675		+	+	+	+	+	+	+	

	, 101/1	(04637)-38595, . 095-8862199, . 063-5974127, . 067-2725751		-	+	+	+	+	+	+	+
	, 12	(0362)-266585	-	+	+	+	+	+	-	+	
	, 55	(0362)-436452, (0362)-635489, 067-23856-35	-	+	+	+	+	+	+	+	
	, 12	. 097-7804458		+	+	+	+	+	-	+	
	, 5	(0362) 43-33-40, . 067-3604242		+	+	+	+	+	+	+	
	, 1	(06434)-26025, . 099-2710147	- -	+	+	+	+	+	+	+	
	, 24	(06452)-50533, . 050-6037272	-	+	+	+	+	+	+	+	
	, 32	(04733)-46182	-	+	+	+	+	+	+	+	
	, 1	(06444)-40289, . 066-1053966	-	+	+	+	+	+	-	+	
\10	, 171-	(03245)-58381	-	+	+	+	-	-	-	-	
	, 19	. 096-3400696		+	+	+	+	+	+	+	
	, 2	. 067-3576378, . 050-5124887	" "	+	+	+	+	+	+	+	
	1/24	(04744)-46614, (04744)-46134	" "	+	+	+	-	-	-	-	
3/2		(0312)-654266, . 099-5575307		+	+	+	+	+	+	+	
	, 3	(057)-7349724, (057)-7125181	" "	+	+	+	+	-	+	-	
	, 12	(057)-71713 39, (057)-7021620		+	+	+	+	+	+	+	
(42)	, 18	. 096-5953-746	" "	+	+	+	-	-	+	+	
	, 25	(057)-7513432, (057)-7643383, . 067-5757009		-	-	-	+	+	-	-	
	, 35	(0552)-420235		-	-	-	+	-	-	-	
28-		(0552)-434040, . 050-4946043		+	+	+	+	+	+	+	
	, 23	(0552)-296042		+	+	+	+	+	+	+	
	, 7	(0382)-664501, . 0630750889	-	+	+	+	-	-	+	+	
	, 2	(0382)-704700, (0382)-704707, (03822)-664616	-	+	+	+	+	+	-	-	
	, 18	(0382)-783773, (0382)-783755		+	+	+	+	+	+	+	

102	146,	(0472)-563478, (0472)-500354, (0472)-564216, .096-5056363	"	"	-	+	+	+	+	+	+	+
	, 71	(0472)-314657, (0472)-565621	"	-	"	+	+	+	-	-	-	+
1	77-	(0462)-601585	"	"	"	+	+	+	+	+	-	-
	, 265-	(0372)-584301, (0372)-584249	"	"	"	+	+	+	+	+	-	+
	, 101	(0372)-571204, .066-6604161				+	+	+	+	+	+	+
	, 105	(0372)-554869, .050-4345529				+	+	+	-	+	+	+
	, 3	(03840)-40017, .067-3601632				+	+	+	+	+	+	+

WARRANTY COUPON

GB

When purchasing the product,
please require its checking before you;

BE SURE

that the goods sold to you, are functional and complete
and that the warranty coupon is filled in correctly.

This warranty coupon confirms the absence of any defects in the product you purchased and provides for free of charge repair of the product failed through the fault of the manufacturer throughout the period of warranty service and free of charge repair.

Failing the presentation of this coupon, in case of its improper filling in, infringement of factory seals (if any), and also in cases indicated in the warranty obligations, the claims are not accepted, and no warranty service and free of charge repair is made!

The warranty coupon is valid only in the original copy with the stamp of trading organization, signature of the seller, date of sale and signature of the buyer.

Complex home appliances should be installed by supplier's authorized service centers, authorized specialists. In the case of a malfunction of the home appliance because of incorrect installation, the buyer must pay the cost of the visit (call) of the specialist, as well as the cost of fault diagnostics if necessary.

CZ

ZÁRUČNÍ LIST

Při koupi výrobku

žádejte o jeho vyzkoušení ve Vaší přítomnosti,

P E S V D T E S E,

že Vám prodaný výrobek je dobře fungující a kompletní
a že záruční list je vyplněn správně.

Tento záruční list potvrzuje, že na Vámi koupeném výrobku nejsou žádné vady a zajišťuje bezplatnou opravu nefungujícího přístroje z viny výrobce, během celé záruční doby.

Bez předložení tohoto listu, při jeho nesprávném vyplnění, porušení plomb výrobce (jsou-li na výrobku) a také v případech, které jsou uvedené v záručním listu, nároky se nepřijímají a záruční oprava se neprovádí!

Záruční list je platný jenom jako originál s razítkem obchodní organizace, podpisem prodávajícího, termínem prodeje a podpisem zákazníka.

Instalace komplexní spotřebiče musí být provedena autorizovaným servisním střediskem, specialistou. V případě poruchy v důsledku nesprávné instalace výrobku, kupující je povinen uhradit náklady na výjezd (volání) odborný, pokud je to nezbytné, a náklady na diagnostiku poruch.

RU

Saturn®

WARRANTY COUPON

ZÁRUČNÍ LIST

SATURN HOME APPLIANCES S.R.O. KONVOVA 141, 13083
PRAHA 3 – ŽIŽKOV, ČESKÁ REPUBLIKA, TEL: + 4202/ 67 108 392

Model/

Serial number/Sériové číslo/

/

Date of sell/Termín prodeje/

/

Shop stamp/Razítko obchodu/

/

Seller's signature/Podpis prodávatele/

/

Buyer's Signature confirming the acquaintance and consent with terms of free of charge maintenance service of the product, and absence of the complaints on appearance and color of the product. Podpis zákazníka, potvrzující seznámení a souhlas s podmínkami bezplatného záručního servisu výrobku, a také neexistence nároků na vzhled a barvu výrobku.

UA

ВІДМІТКИ ПРО ВСТАНОВЛЕННЯ ВИРОБУ*

Дата встановлення	Назва організації, СЦ	№ наряду	ПІБ та підпис майстра	
			ПІБ та підпис споживача**	

*Тюбові прилади, для введення в експлуатацію котрих необхідні установочні, монтажні роботи, повинні вводитись в експлуатацію уповноваженими спеціалістами сервісних центрів постачальника. В разі виникнення несправності виробу з причини некоректної установки вироб може бути знятий з гарантійного обслуговування, а покупець повинен сплатити вартість виїзду (виклику) фахівця, а в разі необхідності і вартість діагностування несправності.

ВІДМІТКИ ПРО ПРОВЕДЕННЯ СЕРВІСНОГО ОБСЛУГОВУВАННЯ

Дата прийому в ремонт	Заявлений споживачем недолік	№ наряду	Назва організації, СЦ	Перелік виконаних робіт	Перелік встановлених запчастин	Дата завершення ремонту	ПІБ та підпис майстра	
							ПІБ та підпис споживача**	

** Підпис споживача свідчить про приймання виробу в робочому стані.

ОТМЕТКИ ОБ УСТАНОВКЕ ИЗДЕЛИЯ*

Дата установки	Название организации, СЦ	№ наряда	ФИО и подпись мастера	
			ФИО и подпись потребителя**	

*Бытовые приборы, для ввода в эксплуатацию которых необходимы установочные, монтажные работы, должны вводиться в эксплуатацию уполномоченными специалистами сервисных центров поставщика. В случае возникновения неисправности по причине некорректной установки, изделие может быть снято с гарантийного обслуживания, а покупатель должен оплатить стоимость выезда (вызова) специалиста, а в случае необходимости и стоимость диагностики неисправности.

ОТМЕТКИ О ПРОВЕДЕНИИ СЕРВИСНОГО ОБСЛУЖИВАНИЯ

Дата приема в ремонт	Заявленный потребителем недостаток	№ наряда	Название организации, СЦ	Перечень выполненных работ	Перечень установленных запчастей	Дата завершения ремонта	ФИО и подпись мастера	
							ФИО и подпись потребителя**	

** Подпись потребителя свидетельствует о приеме изделия в рабочем состоянии.

NOTES ABOUT THE INSTALLATION OF THE DEVICE*

Installation date	Name of organization, Service Center	Order No	Master's surname, name, patronymic and signature
			Client's surname, name, patronymic and signature**

* Household appliances for commissioning of which installation and mounting works are required should be commissioning by the supplier's authorized service center specialists. In the case of a malfunction of the product because of incorrect installation, the product may become invalid for warranty service, and the buyer must pay the cost of the visit (call) of the specialist, as well as the cost of fault diagnostics if necessary.

NOTES ABOUT CARRYING OUT OF SERVICE MAINTENANCE

Date of receipt for repair	Client's declared problem	Order No	Name of organization, SC	List of performed work	List of installed spare parts	The repair end date	Master's surname, name, patronymic and signature
							Client's surname, name, patronymic and signature**

** Client's signature certifies about the appliance's receipt at the working condition.

Saturn®		Saturn®		Saturn®	
Model/ /	Model/ /	Model/ /	Model/ /	Model/ /	Model/ /
Date of sale/ /	Date of sale/ /	Date of sale/ /	Date of sale/ /	Date of sale/ /	Date of sale/ /
Serial number/ /	Serial number/ /	Serial number/ /	Serial number/ /	Serial number/ /	Serial number/ /
Name of the Trade company and Stamp/ /	Name of the Trade company and Stamp/ /	Name of the Trade company and Stamp/ /	Name of the Trade company and Stamp/ /	Name of the Trade company and Stamp/ /	Name of the Trade company and Stamp/ /
... / Stamp	... / Stamp	... / Stamp	... / Stamp	... / Stamp	... / Stamp
Customer's address, phone#, name, surname/ / , , ,	Customer's address, phone#, name, surname/ / , , ,	Customer's address, phone#, name, surname/ / , , ,	Customer's address, phone#, name, surname/ / , , ,	Customer's address, phone#, name, surname/ / , , ,	Customer's address, phone#, name, surname/ / , , ,
Date of Receiving/ /	Date of Receiving/ /	Date of Receiving/ /	Date of Receiving/ /	Date of Receiving/ /	Date of Receiving/ /
Date of Return/ /	Date of Return/ /	Date of Return/ /	Date of Return/ /	Date of Return/ /	Date of Return/ /
Defect / /	Defect / /	Defect / /	Defect / /	Defect / /	Defect / /
Stamp of the Service Center, signature/ / , ,	Stamp of the Service Center, signature/ / , ,	Stamp of the Service Center, signature/ / , ,	Stamp of the Service Center, signature/ / , ,	Stamp of the Service Center, signature/ / , ,	Stamp of the Service Center, signature/ / , ,
... / Stamp	... / Stamp	... / Stamp	... / Stamp	... / Stamp	... / Stamp
COUPON 1	COUPON 2	COUPON 3	COUPON 3	COUPON 3	COUPON 3